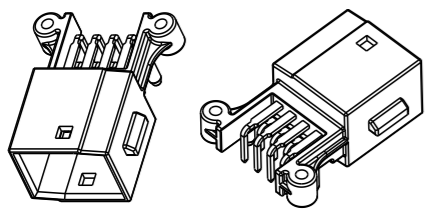
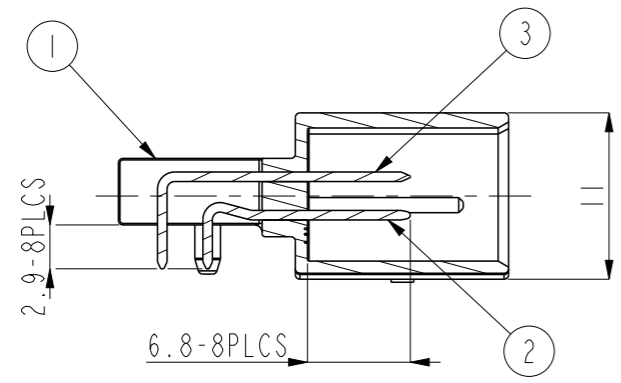
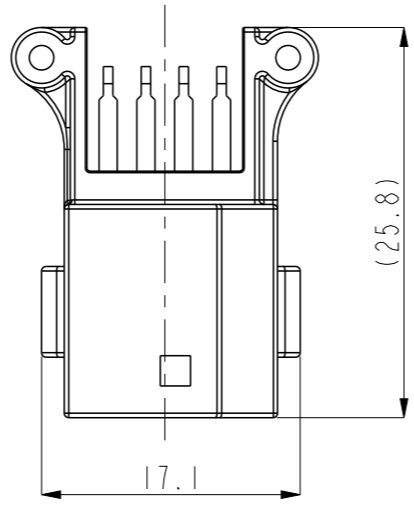


THIS DRAWING IS UNPUBLISHED. RELEASED FOR PUBLICATION 20
 © COPYRIGHT 20 BY - ALL RIGHTS RESERVED.

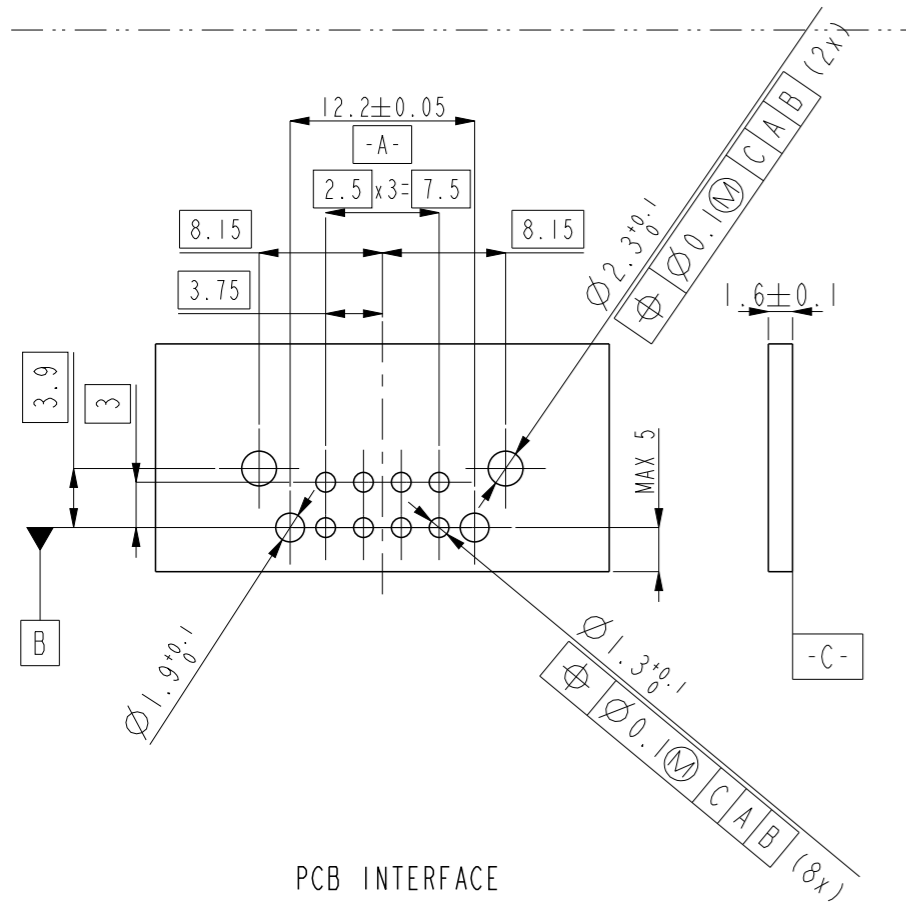
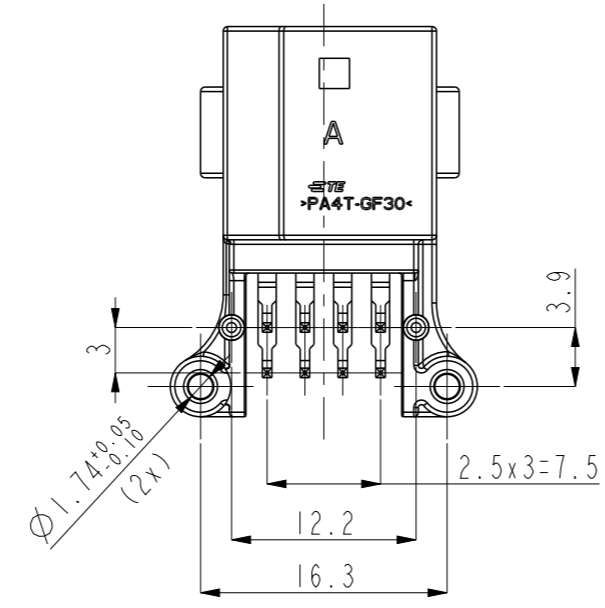
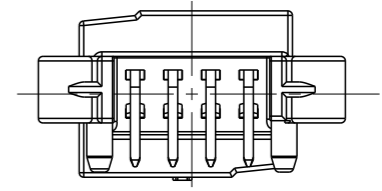
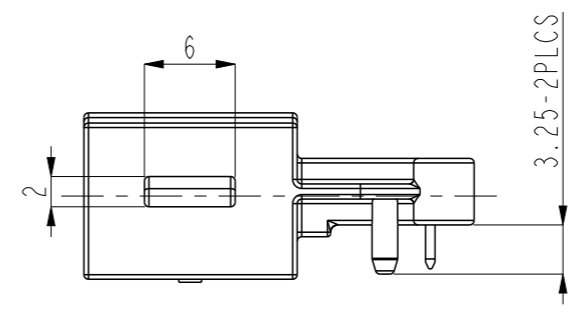
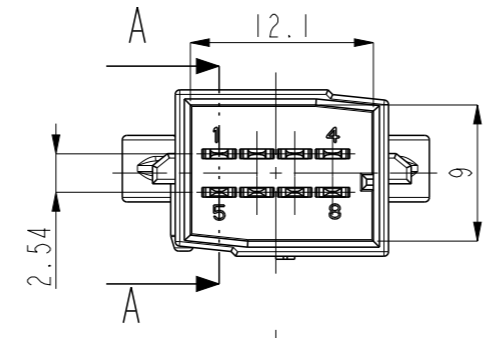
REVISIONS					
P	LTR	DESCRIPTION	DATE	DWN	APVD
	A	RELEASED	28. JAN '16	CH	HG



SCALE 1:1



SECTION A-A



PCB INTERFACE

- NOTE.
- UNLESS OTHERWISE SPECIFIED, TOLERANCES ARE : ±0.3, ±3°
 - APPLICABLE P.C.B. Thickness : 1.6mm
 - SCREW ASSEMBLE TORQUE : 2.2kgf.cm
 - MATING PLUG : 1719565-1

NO	COLOR	MATERIAL	DESCRIPTION	Q'TY
3	Au	COPPER ALLOY	050 TAB TERMINAL(L)	4
2	Au	COPPER ALLOY	050 TAB TERMINAL(S)	4
1	BLACK	PA4T-GF30	HEADER HSG	1

THIS DRAWING IS A CONTROLLED DOCUMENT.	
DIMENSIONS:	TOLERANCES UNLESS OTHERWISE SPECIFIED:
mm	0 PLC ±
	1 PLC ±
	2 PLC ±
	3 PLC ±
	4 PLC ±
	ANGLES ±
MATERIAL	FINISH
-	-
-	-

DWN	CH CHO	 TE Connectivity	NAME	
CHK	KT LIM		050 8P HEADER ASSY	
APVD	HG CHO		SIZE	CAGE CODE
PRODUCT SPEC	108-61218		A3	-
APPLICATION SPEC	411-61044	DRAWING NO	RESTRICTED TO	
WEIGHT	-	C=2219318		
CUSTOMER DRAWING		SCALE	SHEET	REV
		2:1	1 OF 1	A

ASS'Y P/N	DESCRIPTION
2219318-1	8P HEADER ASS'Y