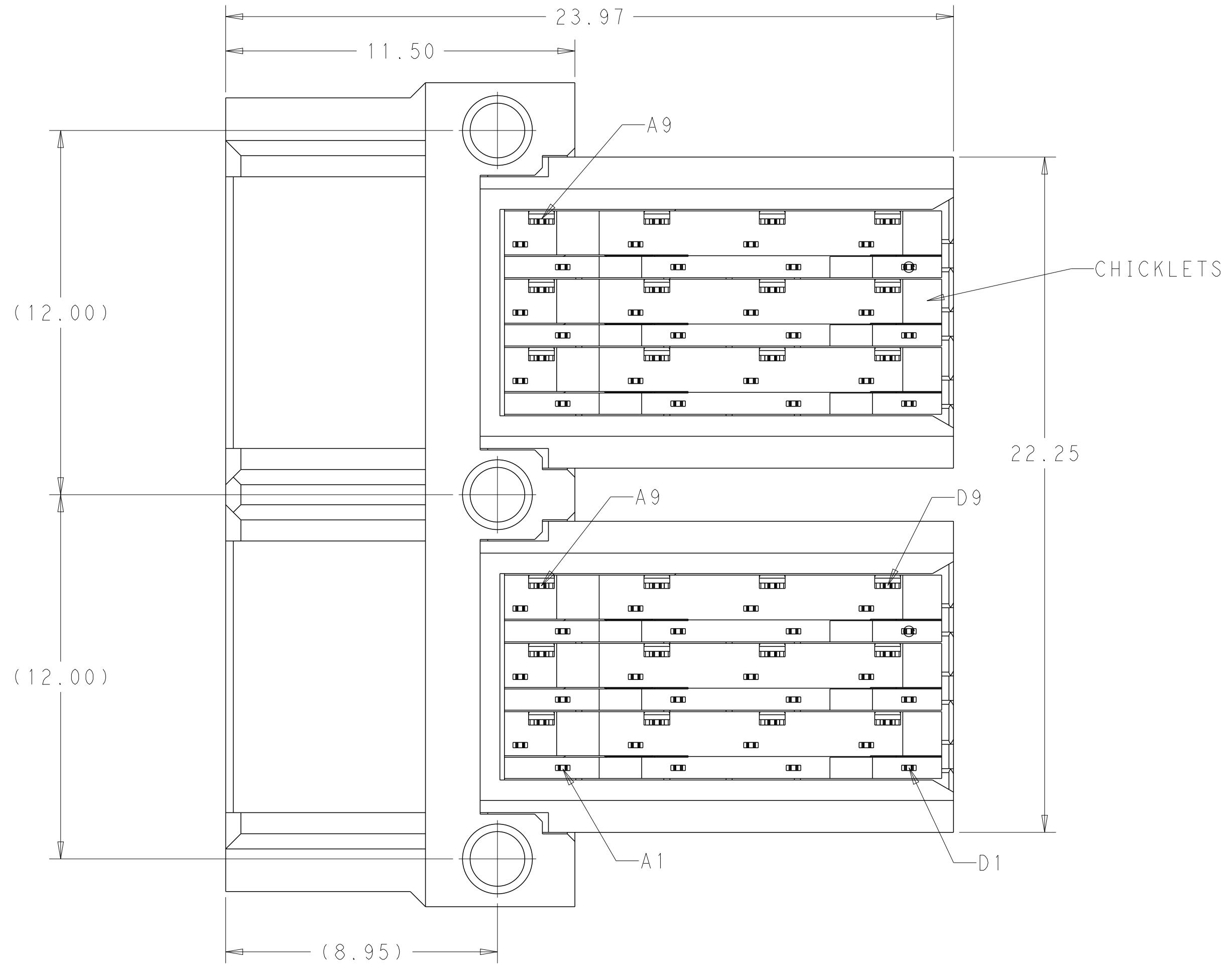
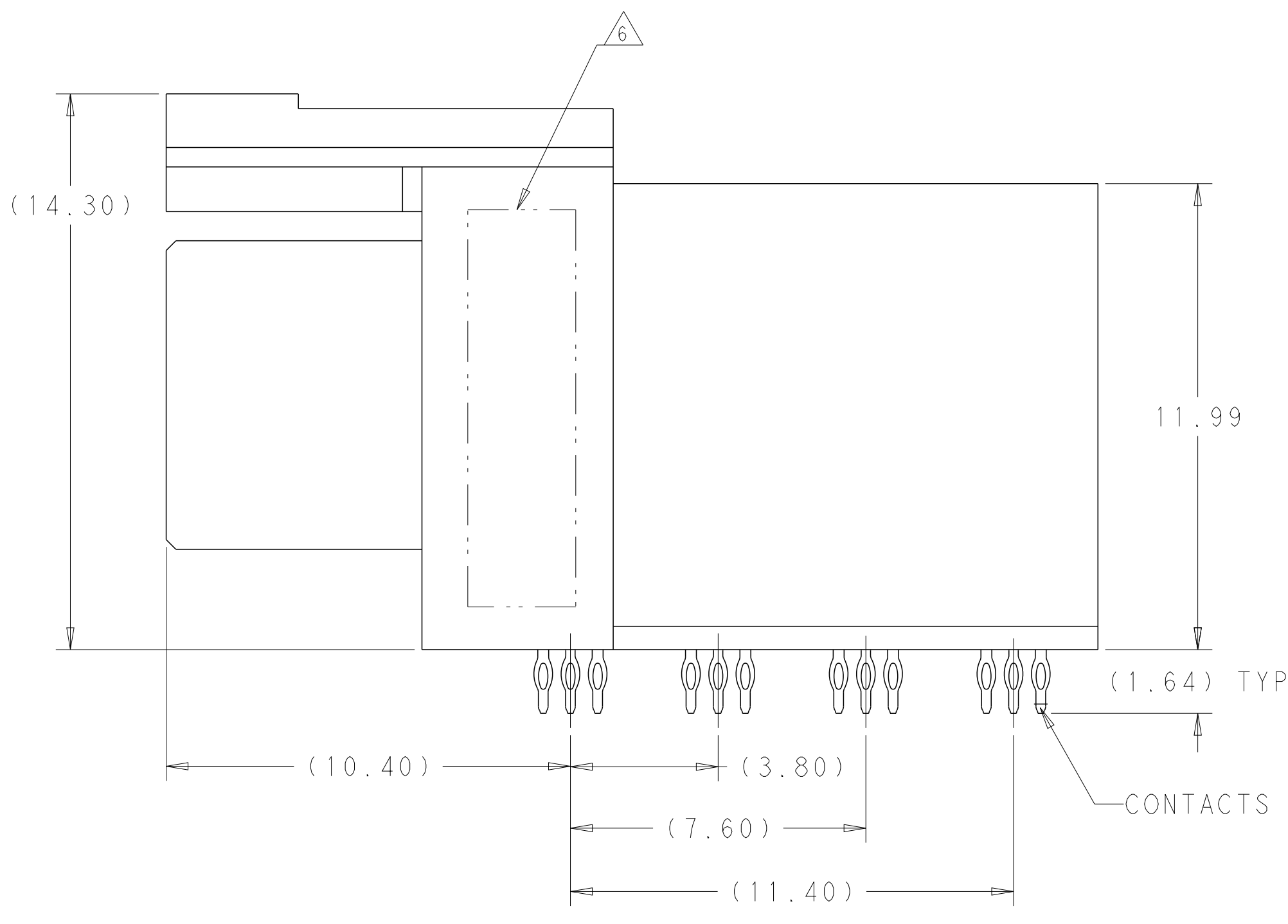
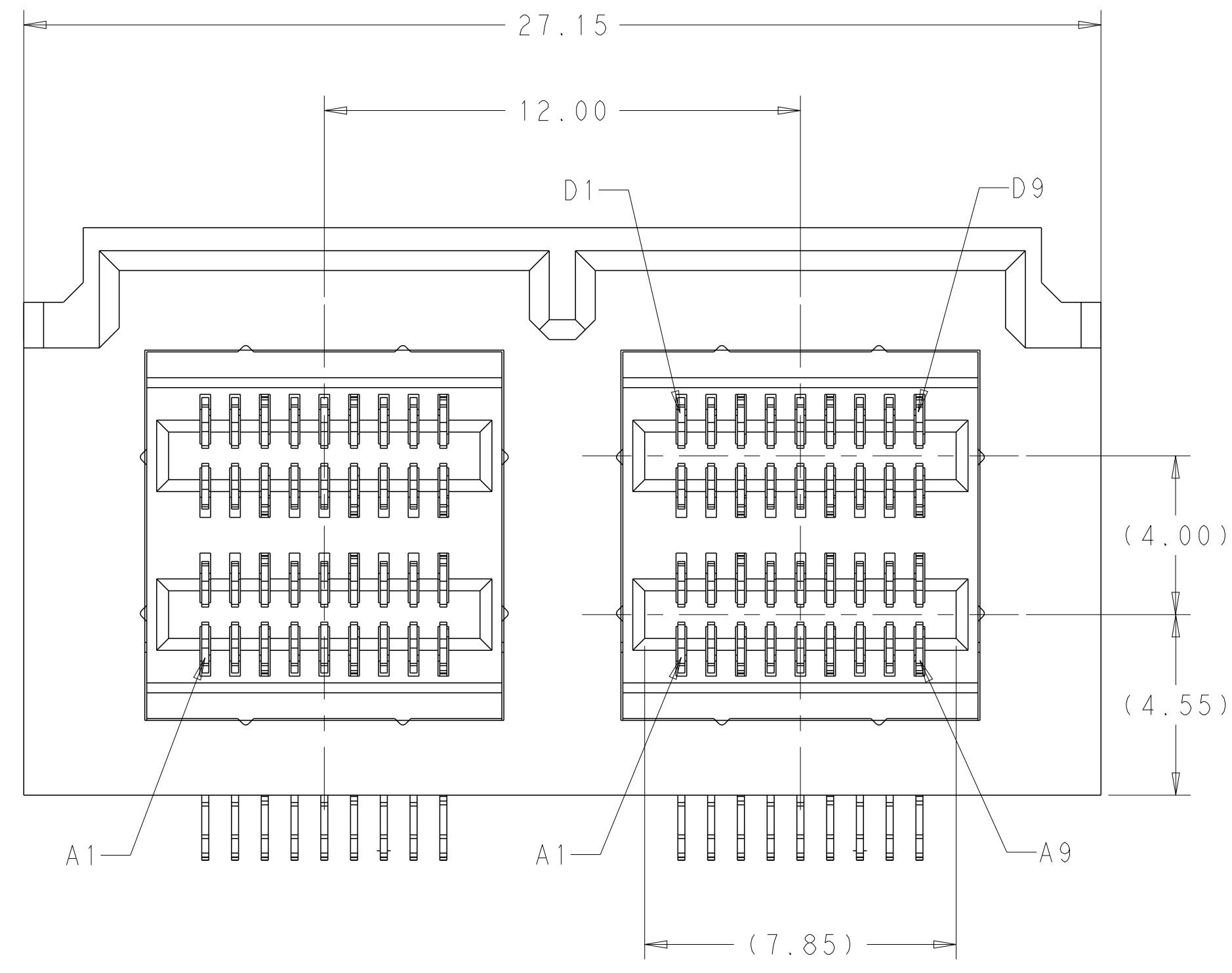
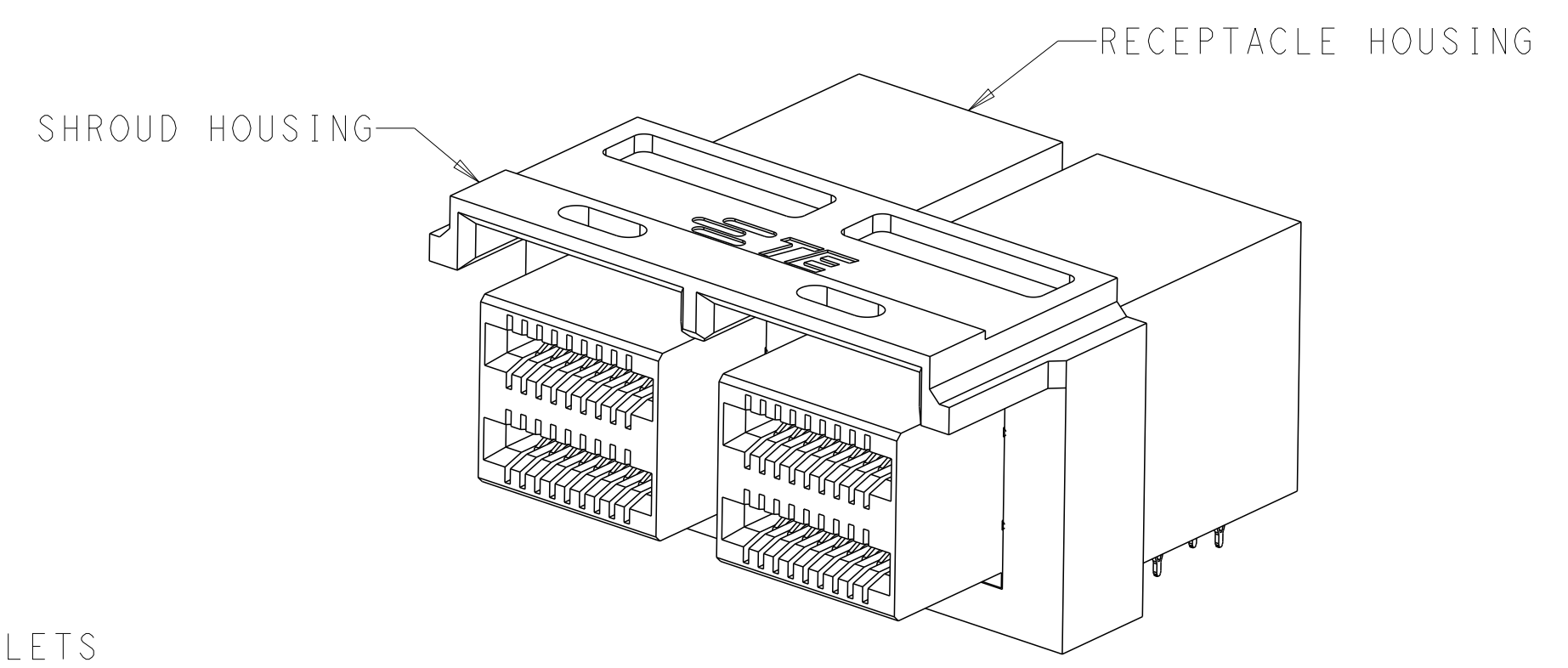


LOC		DIST		REVISIONS			
GP	00	P	LTN	DESCRIPTION	DATE	DWN	APVD
		A		REVISED PER ECO-15-000199	13JAN2015	AP	DG
		B		REVISED PER ECO-17-013690	07AUG2017	JY	SH
		D		REVISED PER ECO-18-008478	10MAY2018	JY	SH
		D1		REVISED PER ECN-23-244853	21DEC2023	AB	SZ



- ⚠ MATERIALS
HOUSINGS AND CHICKLETS: LCP, BLACK, UL94V-0 RATED
CONTACTS: COPPER ALLOY
- ⚠ CONTACT FINISH: CONFORMS TO THE REQUIREMENTS OF TE PRODUCT SPECIFICATION, 108-32038. BASED ON EIA/ECA-364-1000.01A. (CONTROLLED ENVIRONMENT APPLICATIONS) ON MATING END. TIN PLATED ON PCB TAIL

- 3. MATES WITH TE PLUG 2227603-1
- ⚠ MOUNTING HARDWARE M2x1.35 SELF-THREADING SCREW
SCREW LENGTH OF FASTENER = PCB THICKNESS + 3.0mm MAX (1.75mm MIN)
MOUNTING HARDWARE IS NOT SUPPLIED BY TE.
- ⚠ RECOMMENDED COMPONENT KEEP OUT ZONE.
- ⚠ PART NUMBER AND DATE CODE MARKED IN APPROXIMATE AREA SHOWN ON OPPOSITE SIDE.
- ⚠ MOUNTING HARDWARE M2x1.35 SELF-THREADING SCREW
SCREW LENGTH OF FASTENER = PCB THICKNESS + 5.0mm MAX (1.75mm MIN)
MOUNTING HARDWARE IS NOT SUPPLIED BY TE.
- ⚠ MOUNTING HARDWARE M2x0.0.78 OR M1.8x0.709 SELF-THREADING SCREW (DELTA PT® THREAD-FORMING FASTENER), SCREW LENGTH OF FASTENER = PCB THICKNESS + 5.0mm MAX (1.75mm MIN),
MOUNTING HARDWARE IS NOT SUPPLIED BY TE.



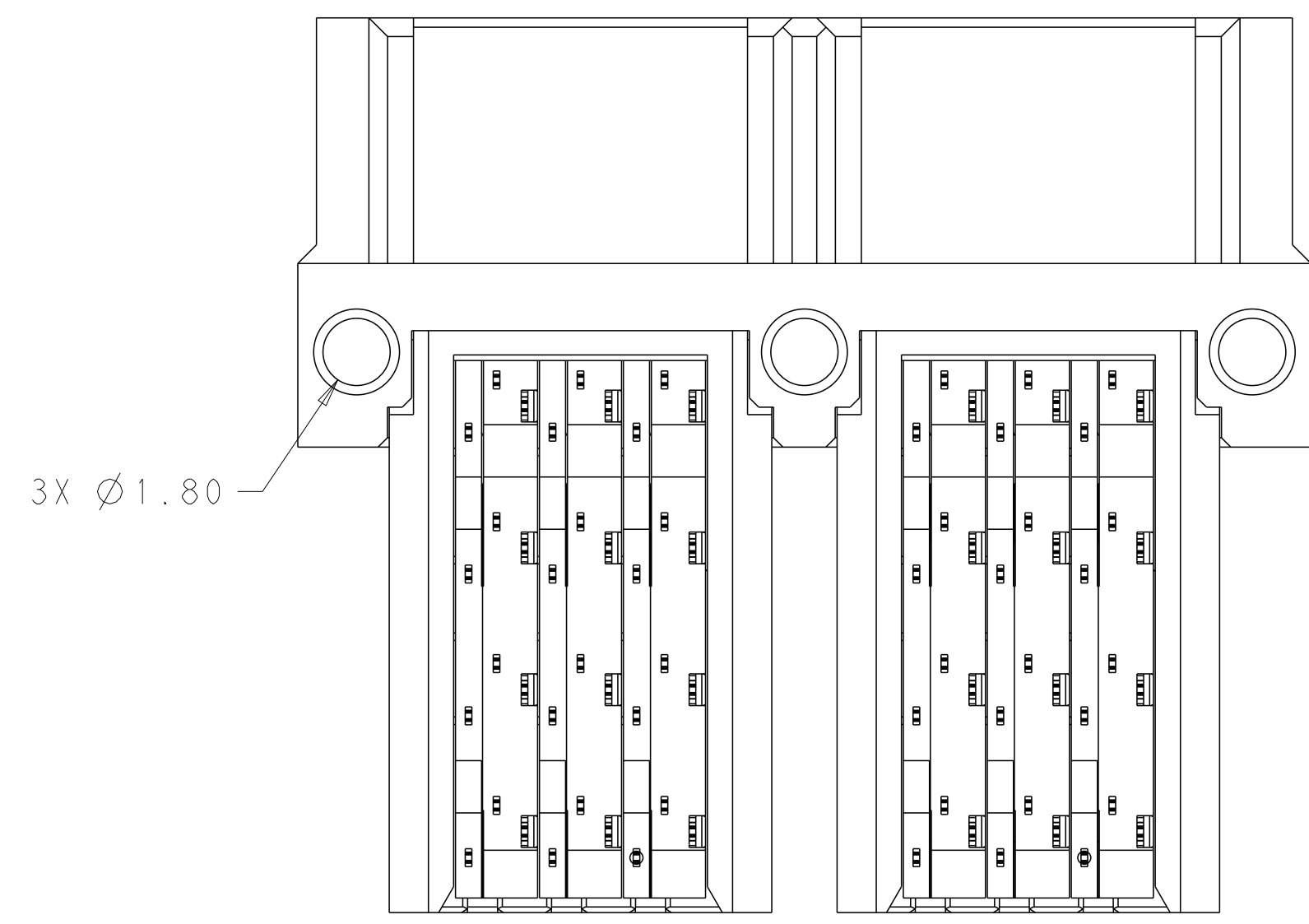
OBsolete	SCREW APPLICATION	DIAMETER OF SCREW HOLES	PART NUMBER
	⚠	Ø1.60	2227581-3
	⚠	Ø1.80	2227581-2
	⚠	Ø1.80	2227581-1

THIS DRAWING IS A CONTROLLED DOCUMENT. DWN: R. TREA 19DEC2012
 CHK: R. HENRY 19DEC2012

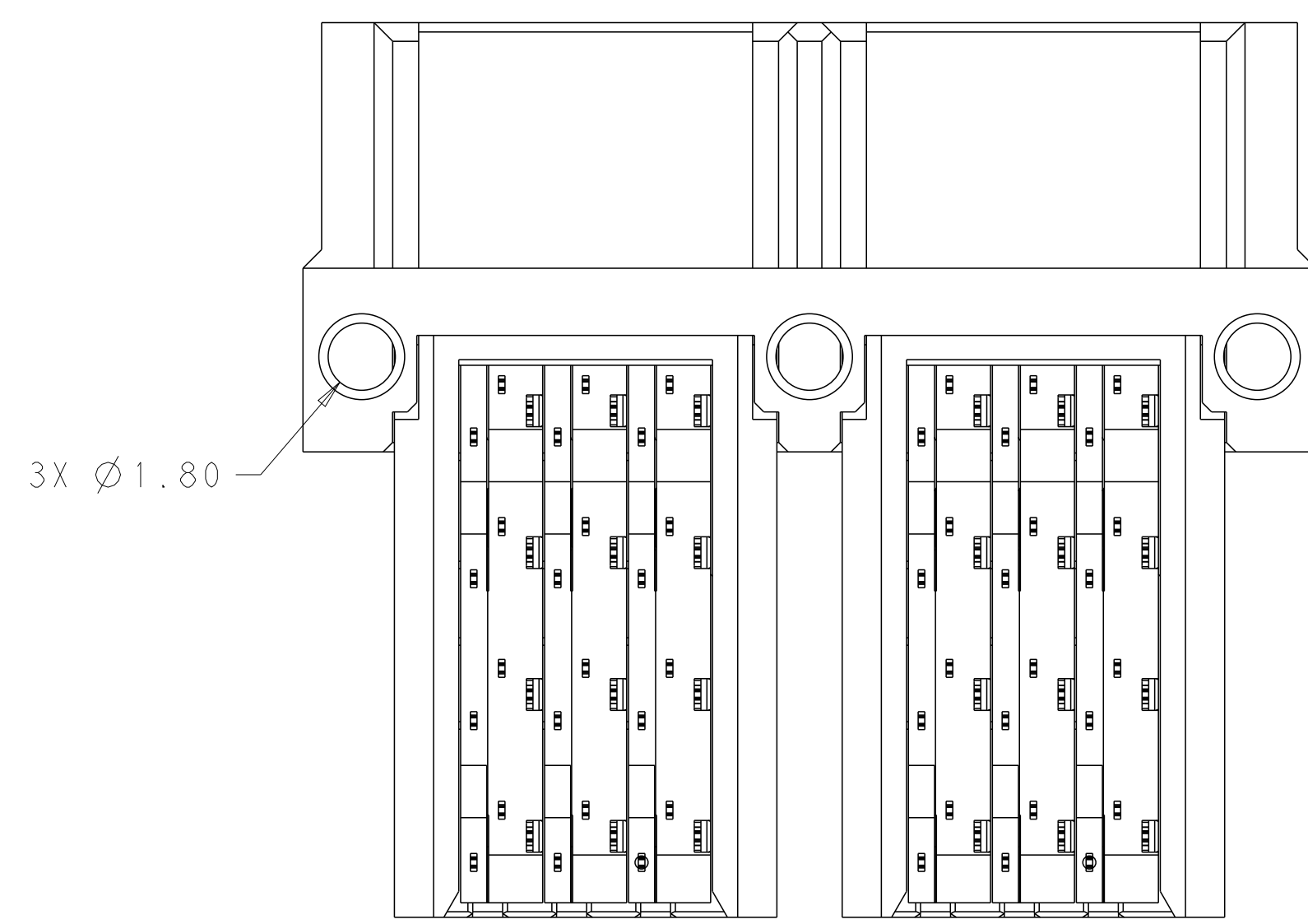
DIMENSIONS:	TOLERANCES UNLESS OTHERWISE SPECIFIED:	NAME	RECEPTACLE ASSEMBLY, 1X2, RIGHT ANGLE, INTERNAL MINI-SAS HD
mm	0 PLC ± 2 PLC ±0.13 3 PLC ± 4 PLC ± ANGLES ±	PRODUCT SPEC	108-32038
		APPLICATION SPEC	114-32101
MATERIAL:	FINISH:	WEIGHT:	SIZE: CAGE CODE: DRAWING NO: RESTRICTED TO
⚠	⚠		A100779C=2227581
CUSTOMER DRAWING		SCALE: 8:1	SHEET 1 OF 3 REV: D1

STE TE Connectivity

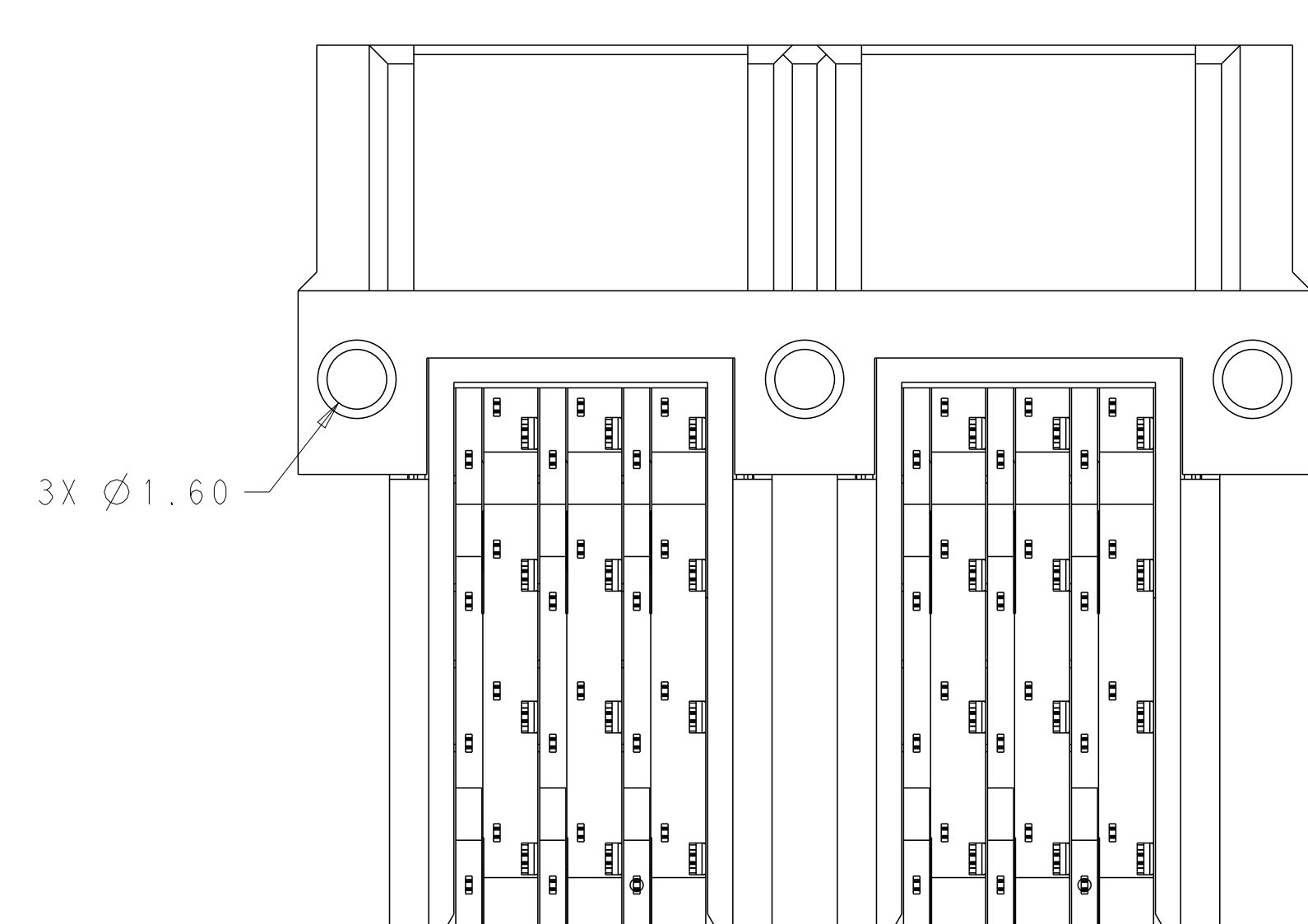
LOC	DIST	REVISIONS			
P	LYR	DESCRIPTION	DATE	DWN	APVD
GP	00	- SEE SHEET 1	-	-	-



2227581-1
SCALE 6:1



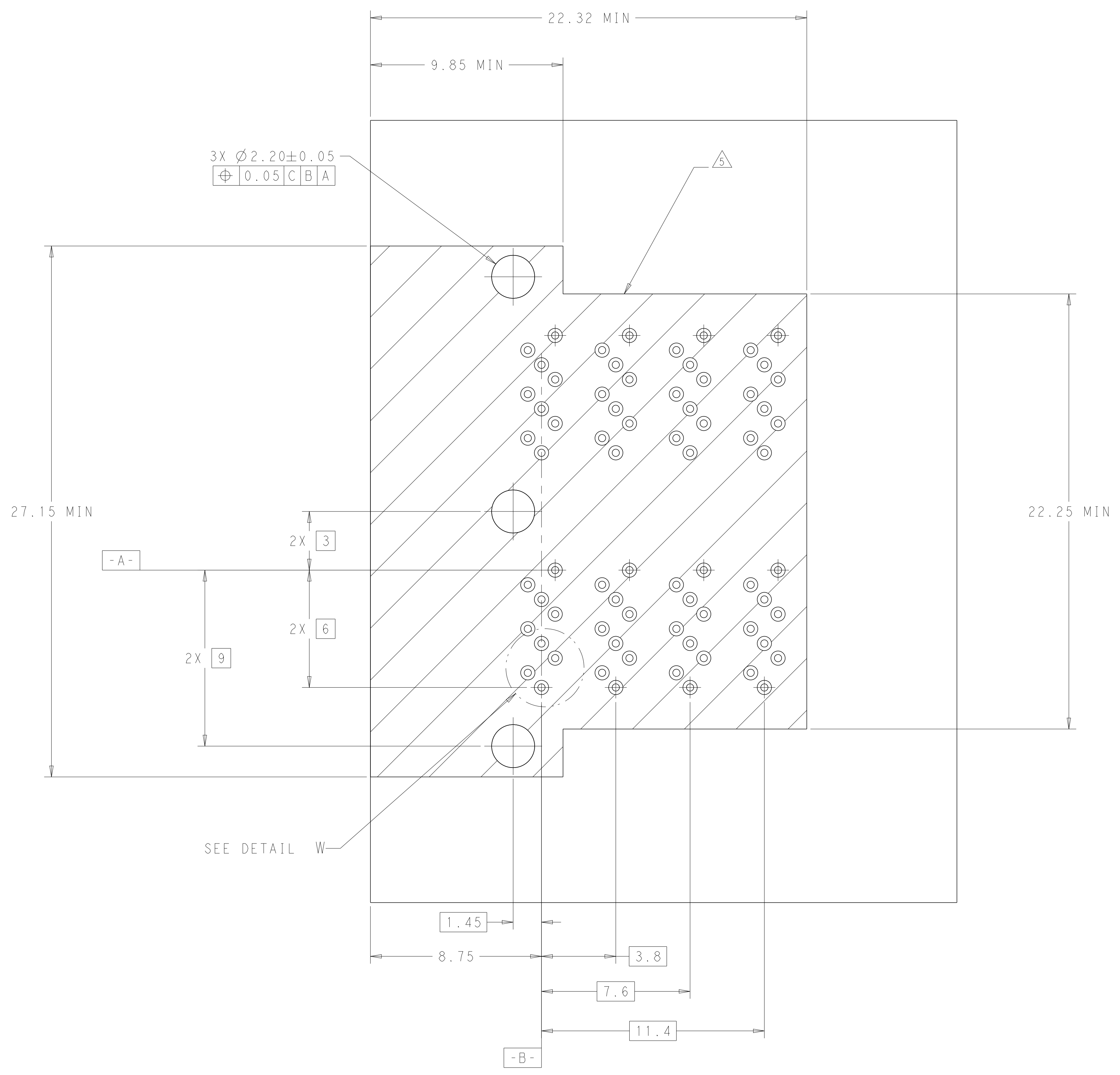
2227581-2
SCALE 6:1



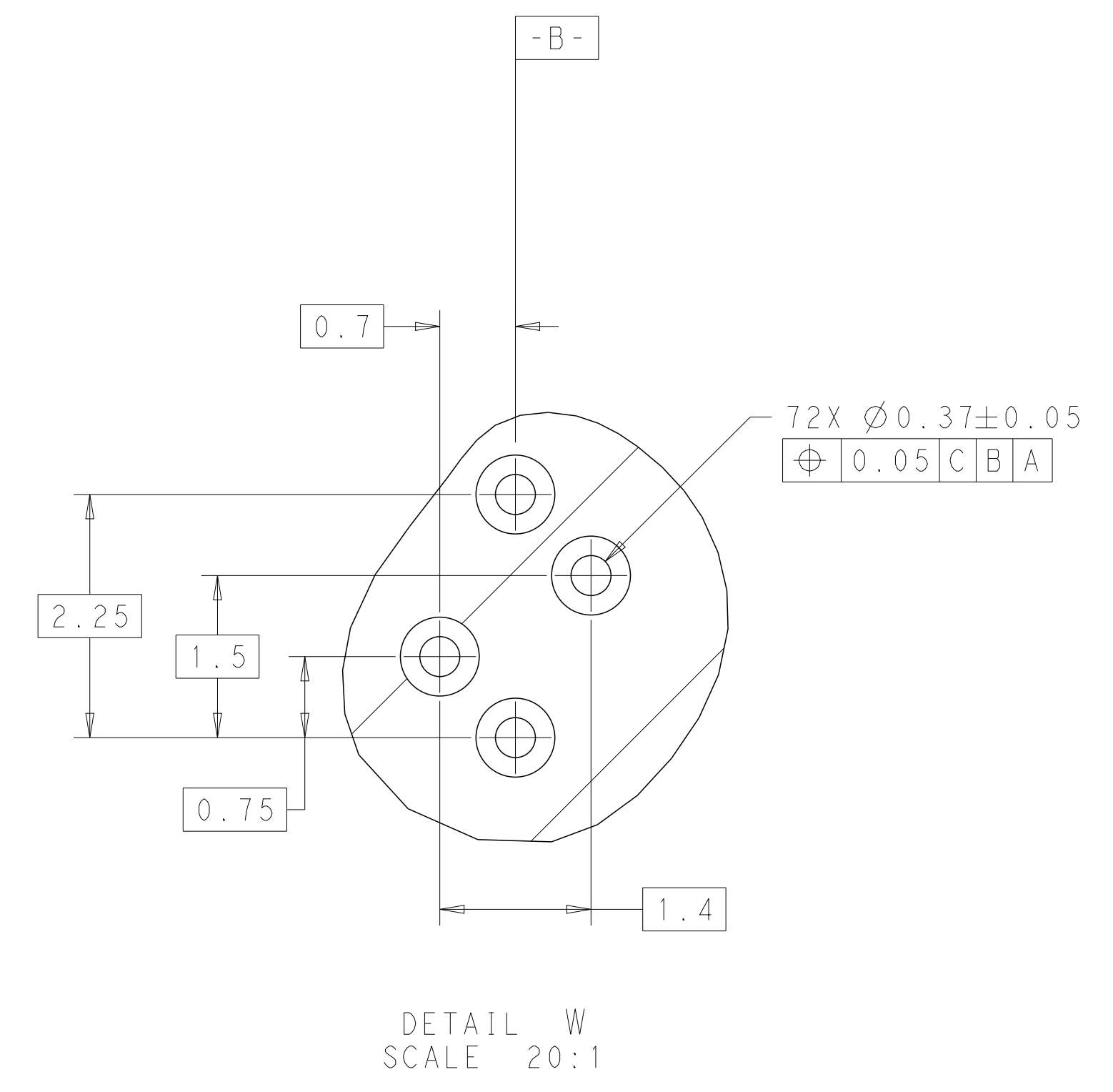
2227581-3
SCALE 6:1

THIS DRAWING IS A CONTROLLED DOCUMENT.		DWN R. IREA 19DEC2012	
		CHK R. HENRY 19DEC2012	
DIMENSIONS:	TOLERANCES UNLESS OTHERWISE SPECIFIED:	APVD	NAME
mm	0 PLC ± 2 PLC ±0.13 3 PLC ± 4 PLC ± ANGLES ±	PRODUCT SPEC	RECEPTACLE ASSEMBLY, 1X2, RIGHT ANGLE, INTERNAL MINI-SAS HD
MATERIAL	FINISH	APPLICATION SPEC	RESTRICTED TO
-	-	114-32101	A 100779 ©=2227581
CUSTOMER DRAWING		WEIGHT	SCALE 8:1 SHEET 2 OF 3 REV D1

LOC	DIST	REVISIONS			
P	LTN	DESCRIPTION	DATE	DWN	APVD
-	-	SEE SHEET 1	-	-	-



RECOMMENDED PCB LAYOUT
 SCALE 8:1



THIS DRAWING IS A CONTROLLED DOCUMENT.		DWN R. IREA 19DEC2012	TE Connectivity
DIMENSIONS: mm		CHK R. HENRY 19DEC2012	
TOLERANCES UNLESS OTHERWISE SPECIFIED: 0 PLC ± 1 PLC ±0.13 2 PLC ± 3 PLC ± 4 PLC ± ANGLES ± FINISH ±		APVD -	NAME RECEPTACLE ASSEMBLY, 1X2, RIGHT ANGLE, INTERNAL MINI-SAS HD
MATERIAL -		PRODUCT SPEC 108-32038	SIZE CAGE CODE DRAWING NO. RESTRICTED TO
FINISH -		APPLICATION SPEC 114-32101	A100779C=2227581
CUSTOMER DRAWING		WEIGHT -	SCALE 8:1 SHEET 3 OF 3 REV D1