

REVISIONS

P	LTR	DESCRIPTION	DATE	DWN	APVD
	D	PRODUCTION ISSUE	01FEB2019	PNT	MT

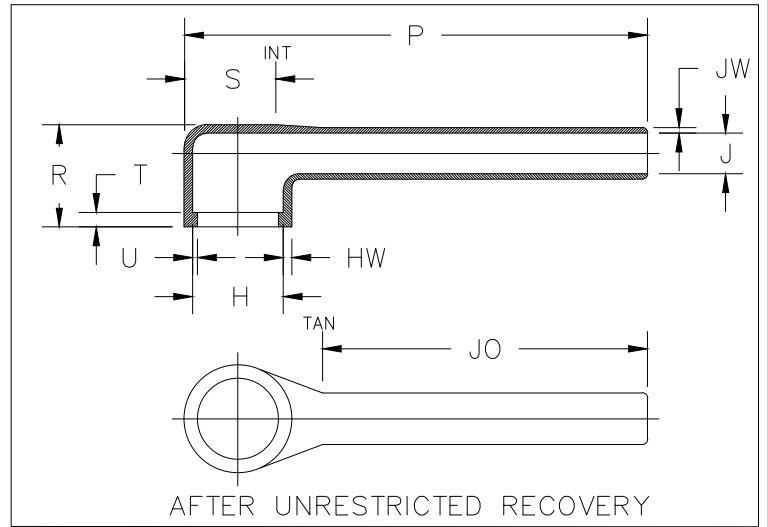
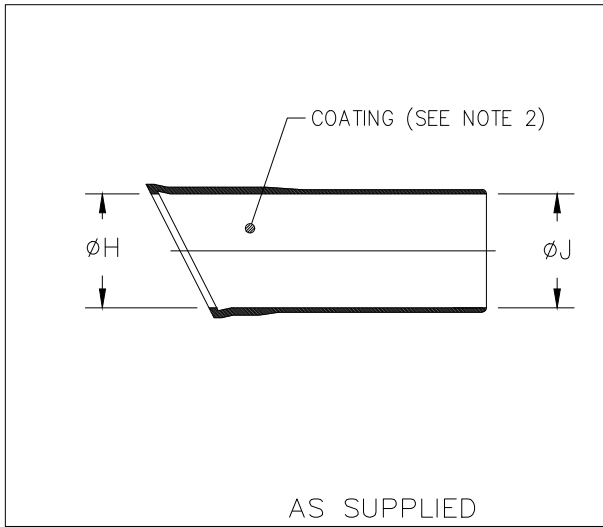


TABLE OF DIMENSIONS

PART NUMBER	H		J			P	R	S	T	U	JO	HW	JW
	Min	Max	Min	Min	Max	±10%	Ref	Ref	Ref	Ref	Ref	±20%	±20%
	a	b	-3,-4, -25 a	-12,-100 a	b	b	b	b	b	b	b	b	b
222D211-X-22	22.4 [.88]	11.4 [.45]	22.4 [.88]	14.0 [.55]	6.4 [.25]	69.9 [2.75]	18.5 [.73]	11.9 [.47]	3.05 [.12]	1.02 [.04]	52.3 [2.06]	1.52 [.06]	1.14 [.045]
222D221-X-22	25.7 [1.01]	15.0 [.59]	25.7 [1.01]	16.0 [.63]	7.4 [.29]	78.7 [3.10]	19.8 [.78]	15.2 [.60]	3.05 [.12]	1.02 [.04]	53.8 [2.12]	1.52 [.06]	1.14 [.045]
222D232-X-22	29.5 [1.16]	18.8 [.74]	29.5 [1.16]	18.3 [.72]	8.4 [.33]	88.9 [3.50]	20.8 [.82]	19.1 [.75]	3.05 [.12]	1.02 [.04]	56.9 [2.24]	1.78 [.07]	1.14 [.045]
222D242-X-22	34.0 [1.34]	22.9 [.90]	34.0 [1.34]	21.3 [.84]	9.7 [.38]	101.6 [4.00]	21.8 [.86]	22.9 [.90]	3.05 [.12]	1.02 [.04]	62.0 [2.44]	1.78 [.07]	1.14 [.045]
222D253-X-22	37.3 [1.47]	29.5 [1.16]	37.3 [1.47]	23.1 [.91]	10.4 [.41]	108.0 [4.25]	24.4 [.96]	29.2 [1.15]	3.05 [.12]	1.65 [.065]	66.5 [2.62]	2.03 [.08]	1.14 [.045]
222D263-X-22	43.7 [1.72]	34.0 [1.34]	43.7 [1.72]	27.2 [1.07]	12.2 [.48]	120.7 [4.75]	27.4 [1.08]	33.5 [1.32]	3.05 [.12]	1.65 [.065]	76.2 [3.00]	2.03 [.08]	1.14 [.045]
222D274-X-22	50.0 [1.97]	41.1 [1.62]	50.0 [1.97]	31.5 [1.24]	14.2 [.56]	132.1 [5.20]	29.5 [1.16]	40.4 [1.59]	3.05 [.12]	1.65 [.065]	80.8 [3.18]	2.29 [.09]	1.40 [.005]
222D285-X-22	62.7 [2.47]	47.0 [1.85]	62.7 [2.47]	39.1 [1.54]	17.5 [.69]	133.4 [5.25]	33.3 [1.31]	46.0 [1.81]	3.05 [.12]	2.03 [.08]	74.2 [2.92]	2.54 [.10]	1.40 [.005]
222D296-X-22	69.3 [2.73]	59.7 [2.35]	69.3 [2.73]	43.2 [1.70]	19.6 [.77]	137.2 [5.40]	35.1 [1.38]	57.9 [2.28]	3.05 [.12]	2.03 [.08]	61.0 [2.40]	2.54 [.10]	1.40 [.005]
222D299-X-22	81.8 [3.22]	67.1 [2.64]	81.8 [3.22]	51.1 [2.01]	22.9 [.90]	139.7 [5.50]	44.5 [1.75]	64.8 [2.55]	3.05 [.12]	2.03 [.08]	53.8 [2.12]	2.54 [.10]	1.40 [.005]

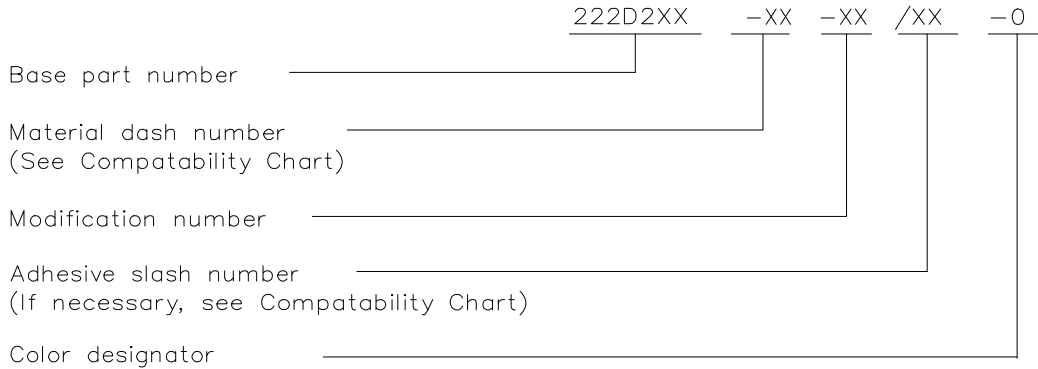
THIS DRAWING IS UNPUBLISHED. ALL RIGHTS RESERVED. COPYRIGHT - TE Connectivity Ltd.

DIMENSIONS: mm [INCHES]		DWN PRAVEEN N T 01FEB2019	MATERIAL SEE SHEET 2	FINISH -
TOLERANCES UNLESS OTHERWISE SPECIFIED:		CHK N NAGAR 01FEB2019	TE Connectivity Ltd.	
0 PLC ± -		APVD M TAYLOR 01FEB2019		
1 PLC ± -		PRODUCT SPEC -		
2 PLC ± -		NAME BOOT, 90 DEGREES, WITH LIP		
3 PLC ± -		APPLICATION SPEC -	SIZE A4	CAGE CODE 00779
4 PLC ± -		WEIGHT -	DRAWING NO C-222D2XX-XX-22-0	RESTRICTED TO -
ANGLES ± -		CUSTOMER DRAWING	SCALE DNS	SHEET 1 of 2
			REV D	

REVISIONS					
P	LTR	DESCRIPTION	DATE	DWN	APVD
	-	SEE SHEET 1	-	-	-

COMPATIBILITY CHART				
MATERIAL DASH NO.	MATERIAL DESCRIPTION	RT SPEC	COATING SLASH NO.	COATING SPEC
-3	POLYOLEFIN, SEMI-RIGID	RT-301	/42;/86;/180	S1017;S1048;S1030
-4	POLYOLEFIN, FLEXIBLE	RT-1304	/42;/86;/180	S1017;S1048;S1030
-12	FLUROELASTOMER	RT-1312	N/A	N/A
-25	ELASTOMER, FLUID RESISTANT	RW-2070	/42;/86;/225	S1017;S1048;S1206
-100	POLYOLEFIN, SEMI-FLEXIBLE ZEROHAL	RW-2082	/86;/180	S1048;S1030

ORDERING INFORMATION



NOTES


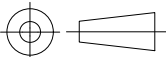
- Dimensions appearing in table are as follows:
 - a - As Supplied
 - b - After Unrestricted Recovery
- Coating is optional. As supplied dimensions appearing in table are for uncoated parts. When coating is added, entry diameters will be reduced by 1.5[.06] max.

RELEASED FOR PUBLICATION

ALL RIGHTS RESERVED.

© COPYRIGHT - TE Connectivity Ltd.

THIS DRAWING IS UNPUBLISHED.

DIMENSIONS: mm [INCHES]	DWN PRAVEEN N T	01FEB2019	MATERIAL SEE SHEET 2	FINISH -
	CHK N NAGAR	01FEB2019	 TE Connectivity Ltd.	
TOLERANCES UNLESS OTHERWISE SPECIFIED:	APVD M TAYLOR	01FEB2019		
0 PLC ± -	PRODUCT SPEC	NAME BOOT, 90 DEGREES, WITH LIP		
1 PLC ± -	-	-		
2 PLC ± -	APPLICATION SPEC	-		
3 PLC ± -	-	SIZE A4	CAGE CODE 00779	DRAWING NO G-222D2XX-XX-22-0
4 PLC ± -	-	RESTRICTED TO -		
ANGLES ± -	WEIGHT	-		
		CUSTOMER DRAWING		
		SCALE DNS	SHEET 2 OF 2	REV D