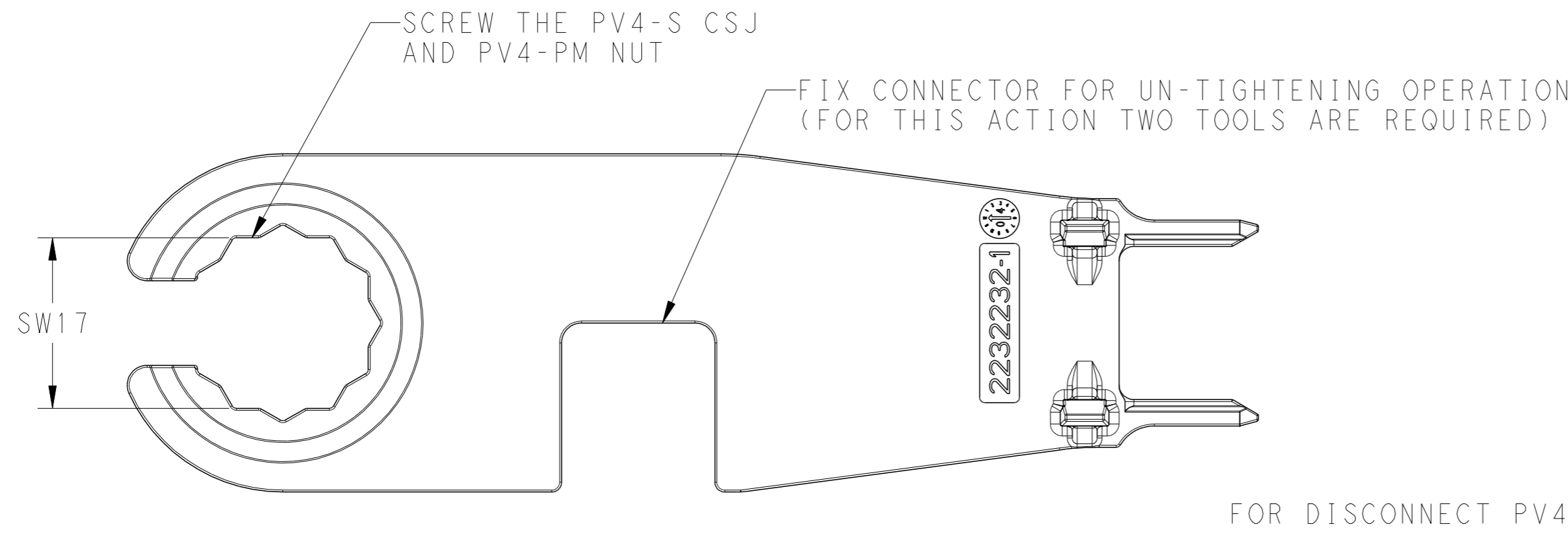
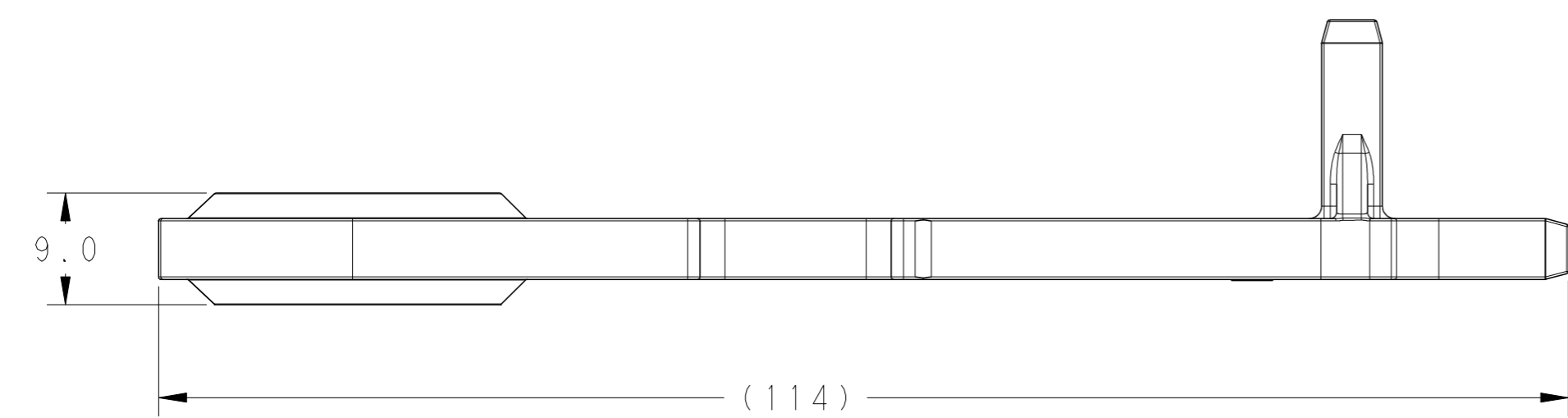


THIS DRAWING IS UNPUBLISHED. RELEASED FOR PUBLICATION 20  
 © COPYRIGHT 20 TE CONNECTIVITY ALL RIGHTS RESERVED.

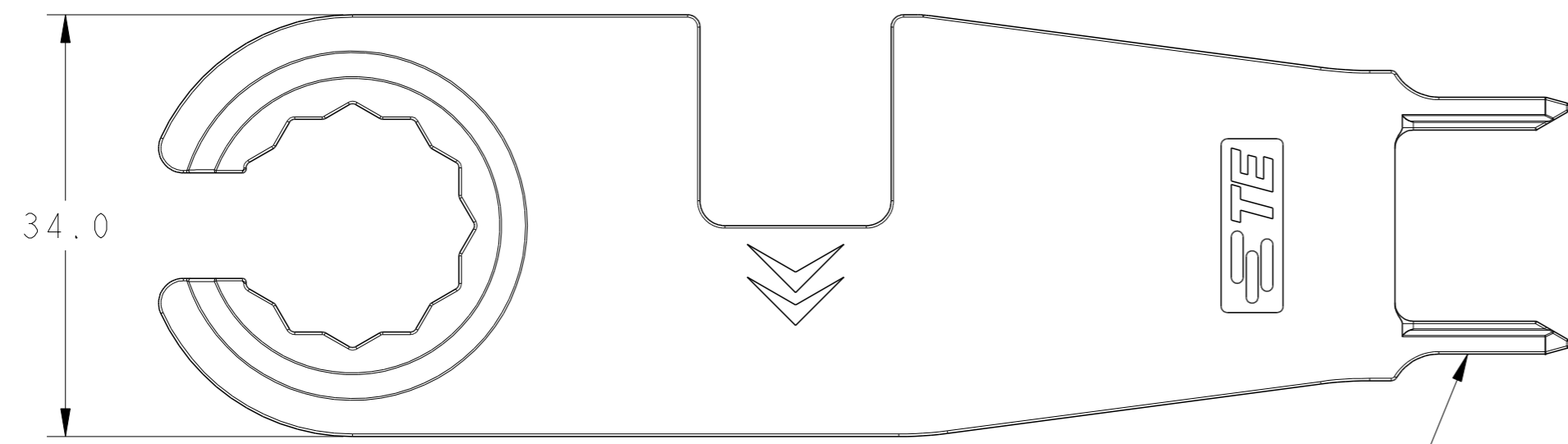
LOC		DIST		REVISIONS			
P	LTR	DESCRIPTION		DATE	DWN	APVD	
	A	INITIAL		09JUN2013	CW	PY	
	B	ADD NEW DISCONNECT PV4-PM FEATURE		2JAN2014	LW	PY	
	C	MODIFY DISCONNECT FUCTURE		08NOV2017	SG	SM	



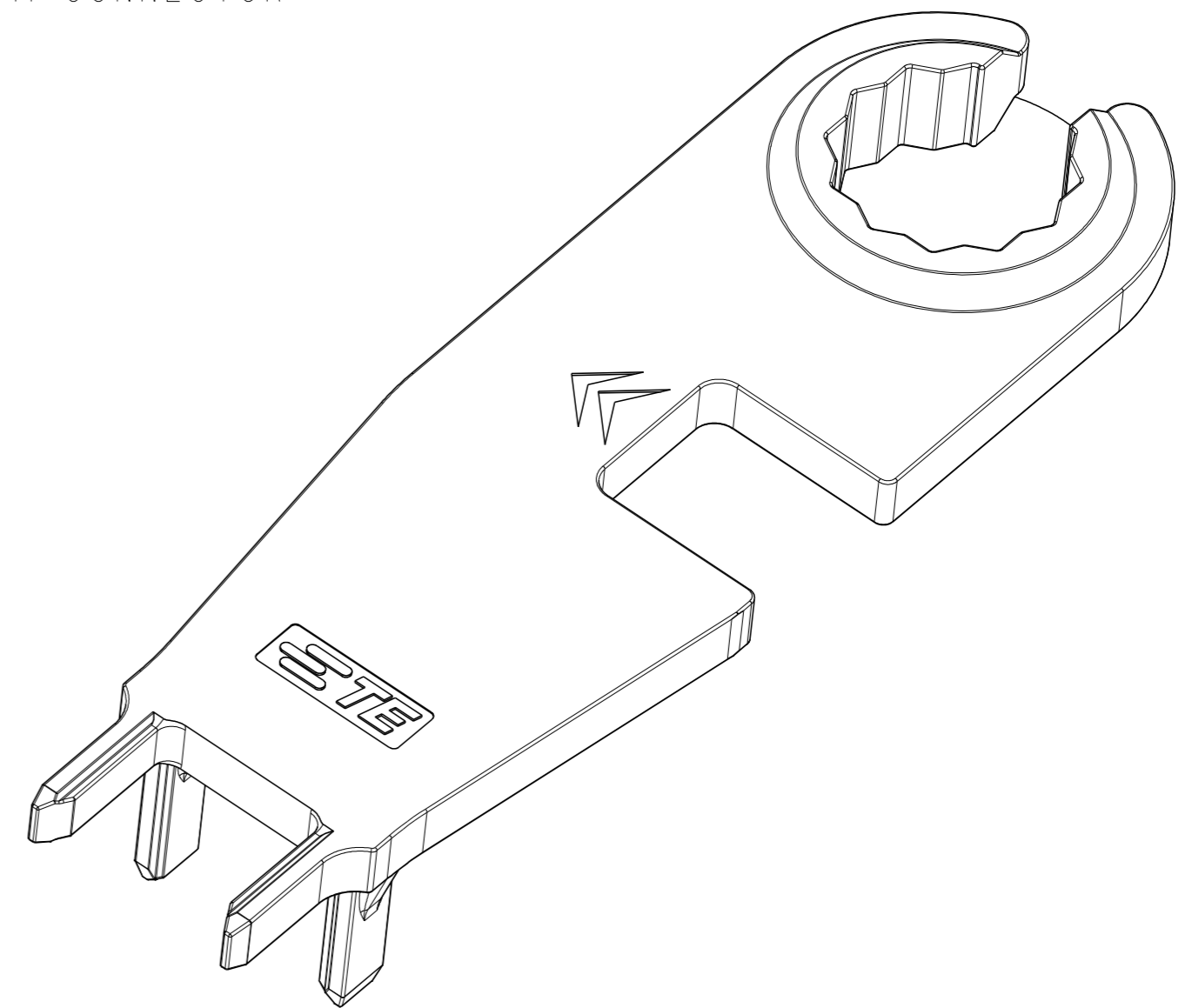
FOR DISCONNECT PV4-PM CONNECTOR



TWELVE RING SPANNER



FOR DISCONNECT PV4-S CONNECTOR



MATERIAL: POLYMER  
 COLOUR: ORANGE  
 NET WEIGHT: 18.2g

PART NUMBER: 2232232-1

THIS DRAWING IS A CONTROLLED DOCUMENT.		DWN CHRIS WANG 09 JUN 2013	<b>STE</b> TE Connectivity	
DIMENSIONS: mm		CHK DANIEL TAO 09 JUN 2013		
TOLERANCES UNLESS OTHERWISE SPECIFIED:		APVD PETER YIN 09 JUN 2013	NAME OPEN AND TIGHTEN TOOL	
0 PLC ±0.5 1 PLC ±0.3 2 PLC ± 3 PLC ± 4 PLC ±		PRODUCT SPEC -	SIZE -	
ANGLES ± FINISH		APPLICATION SPEC 114-106122	CAGE CODE A200779	
MATERIAL -		WEIGHT -	DRAWING NO C-2232232	
		CUSTOMER DRAWING	RESTRICTED TO -	
		SCALE 1:1	SHEET 1 OF 1 REV C	