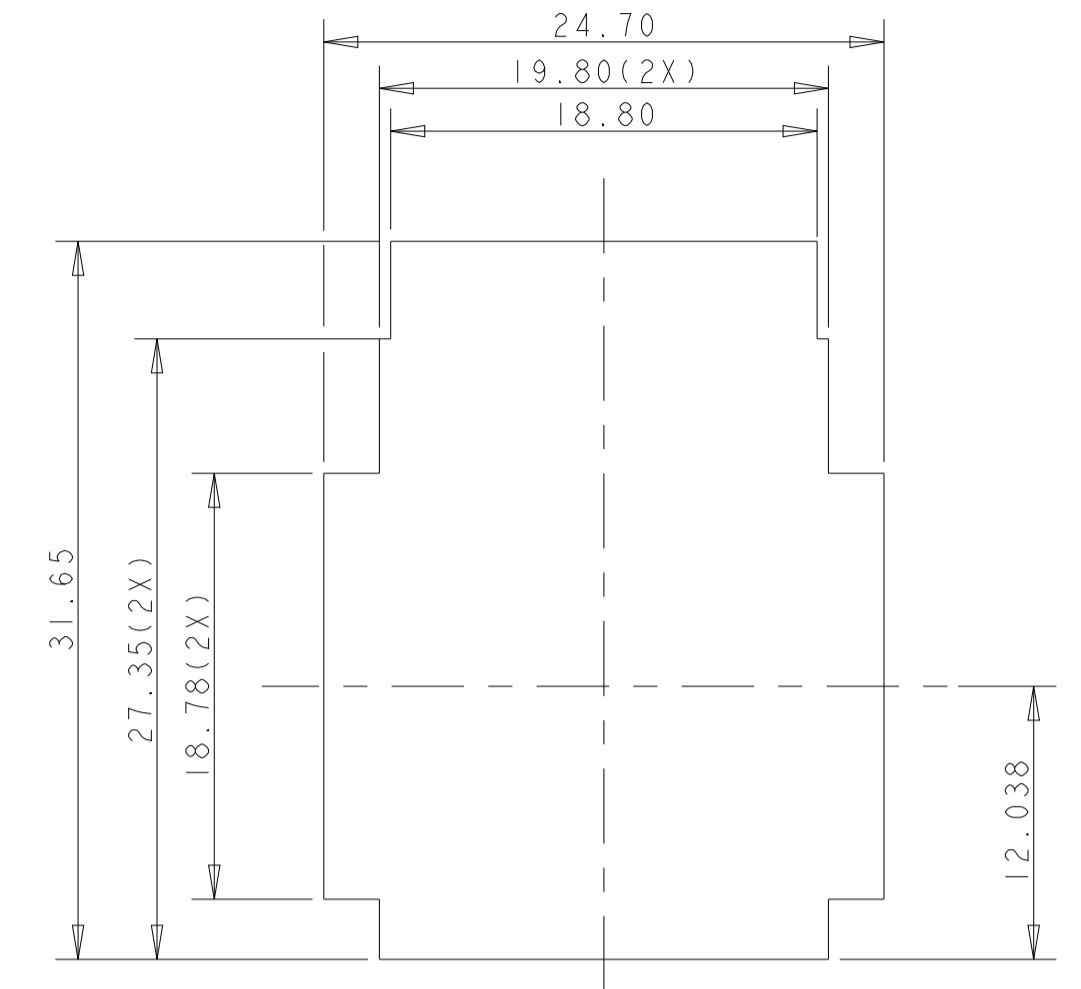
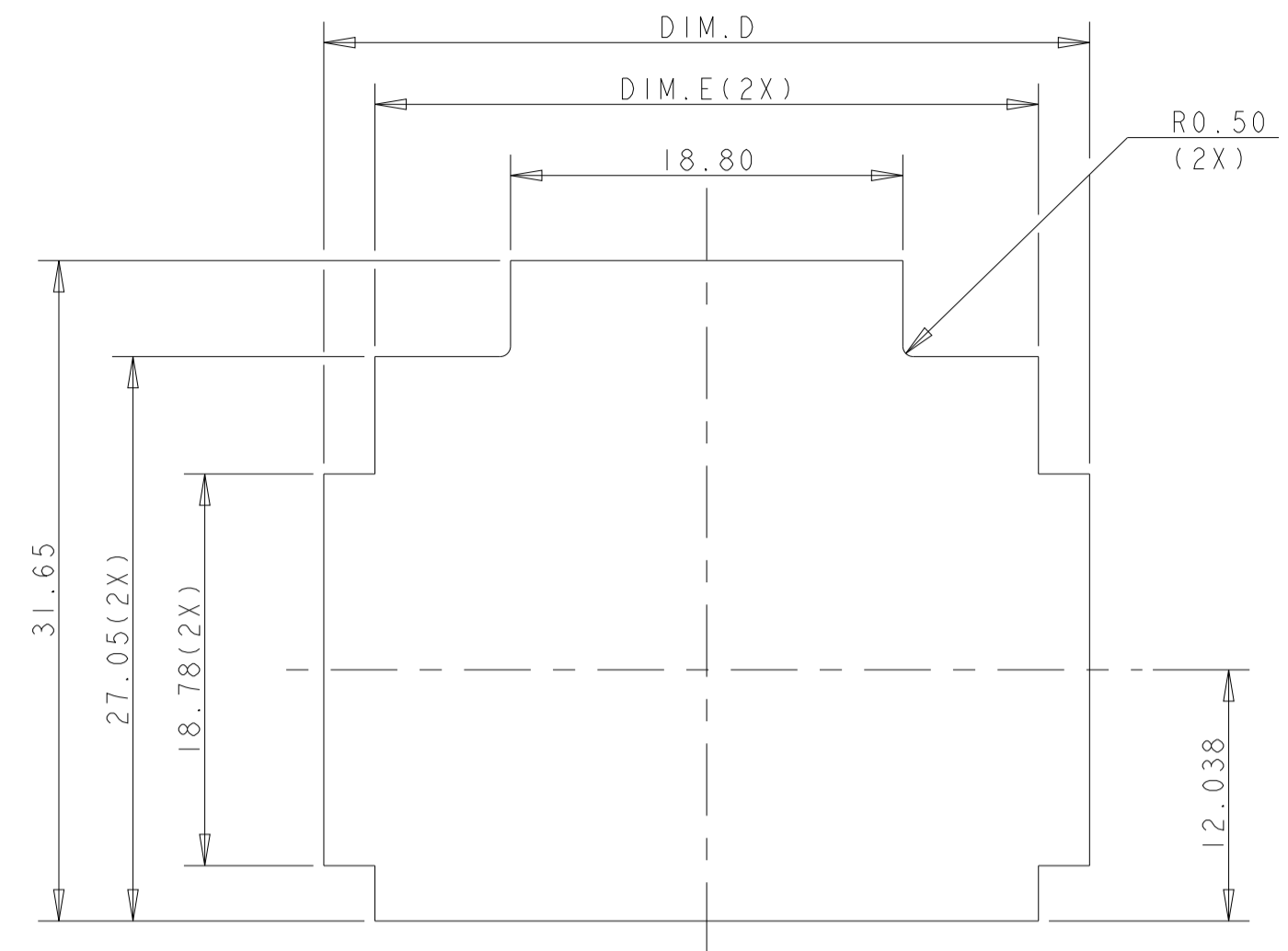
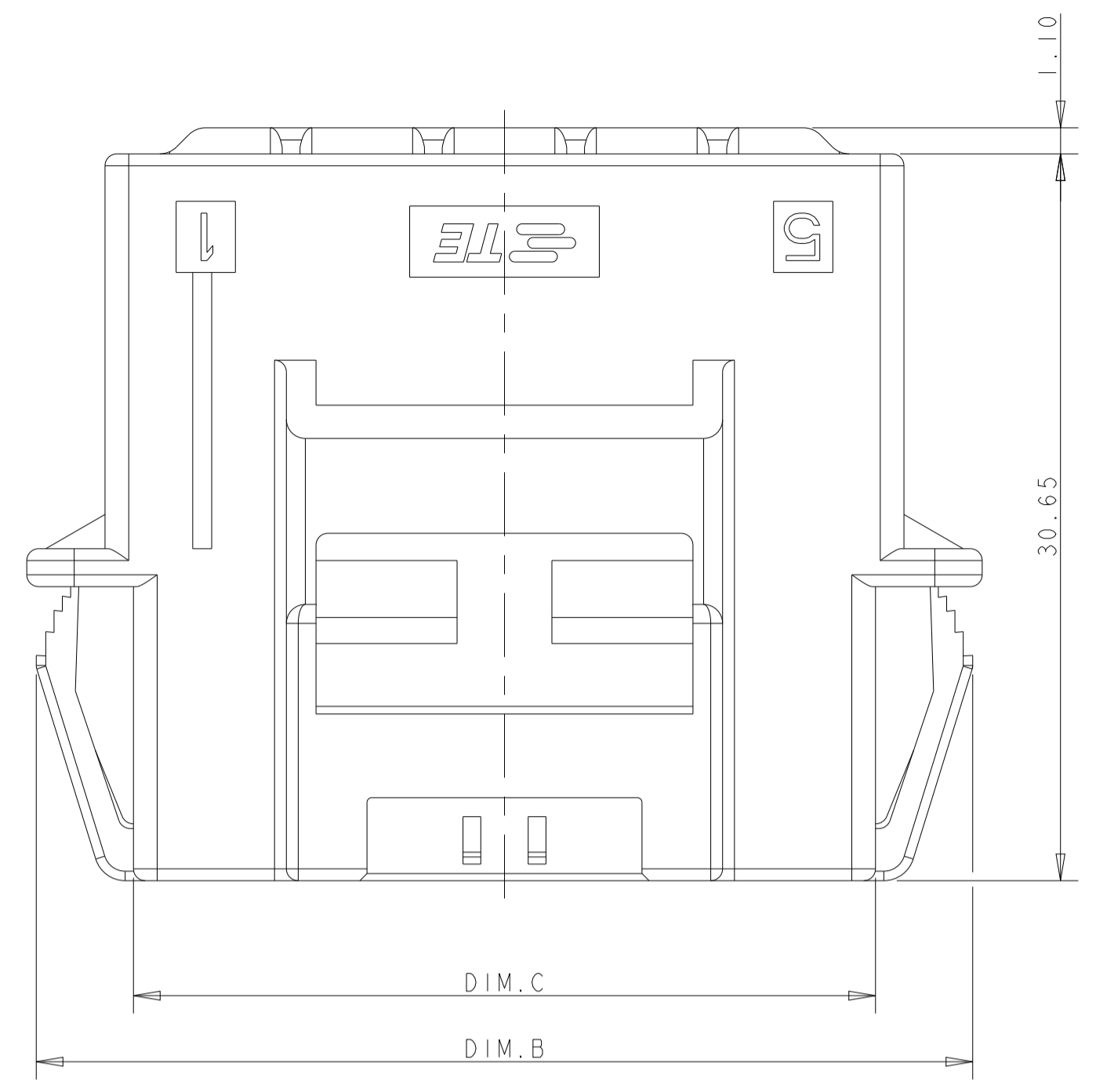
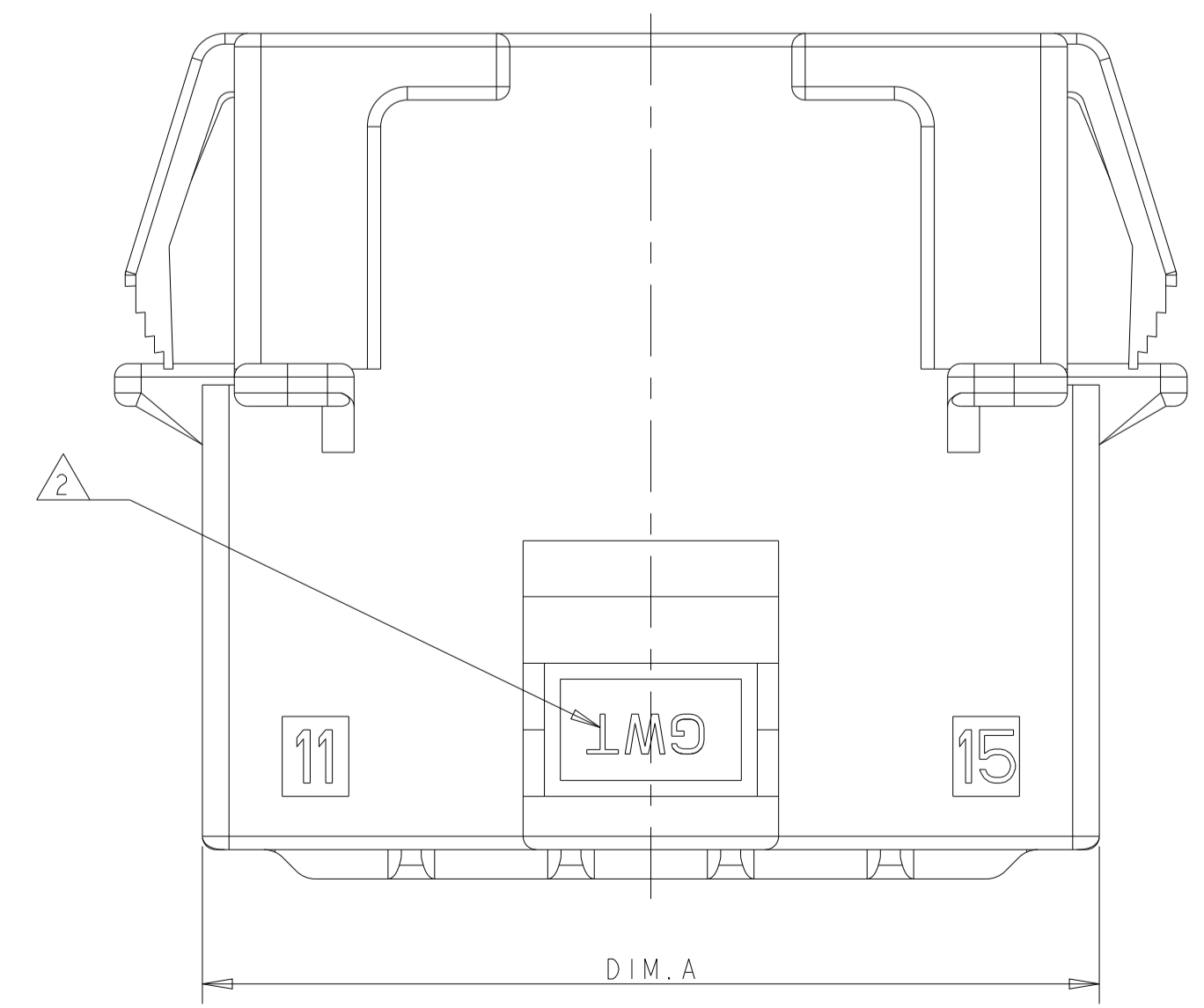
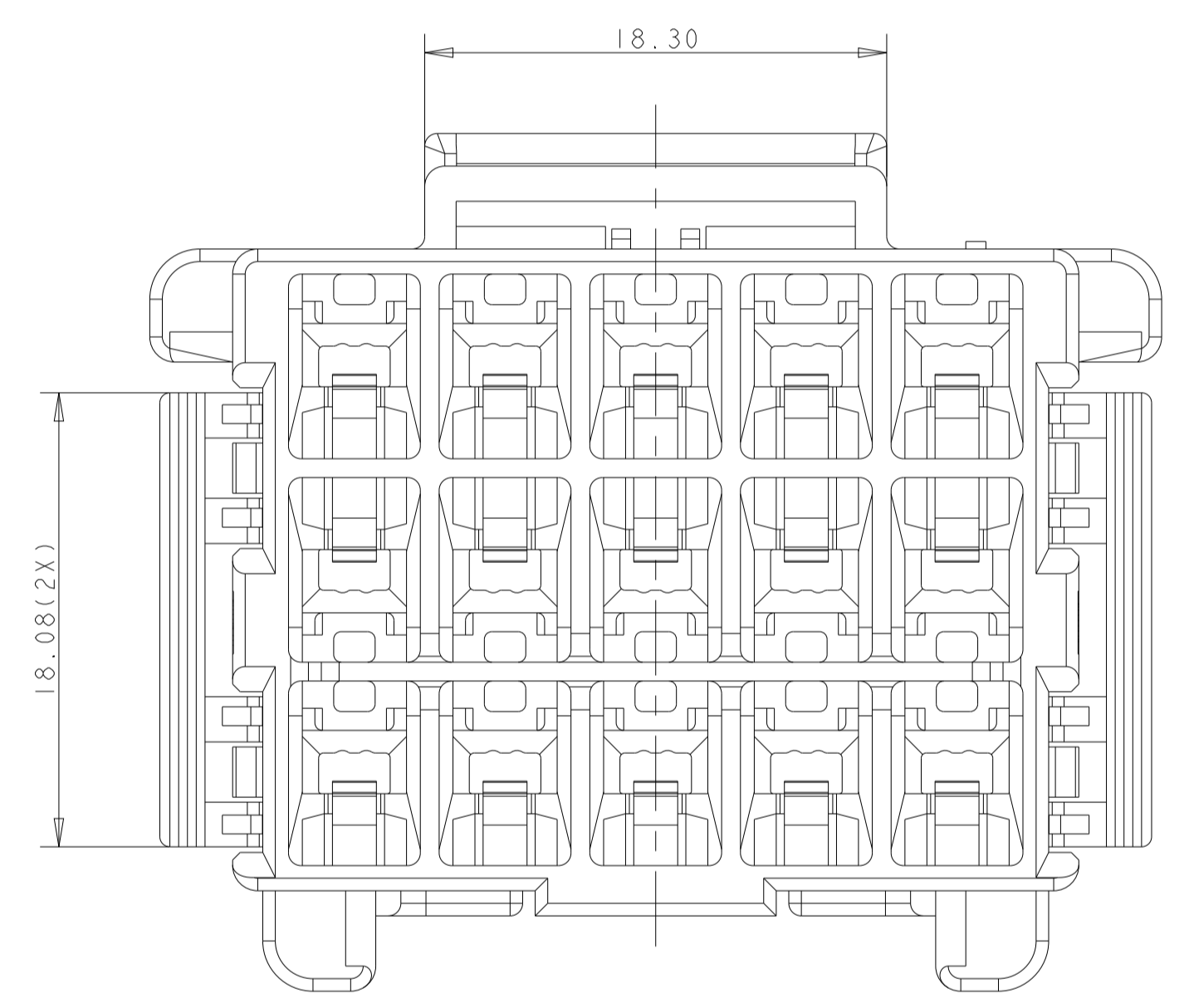
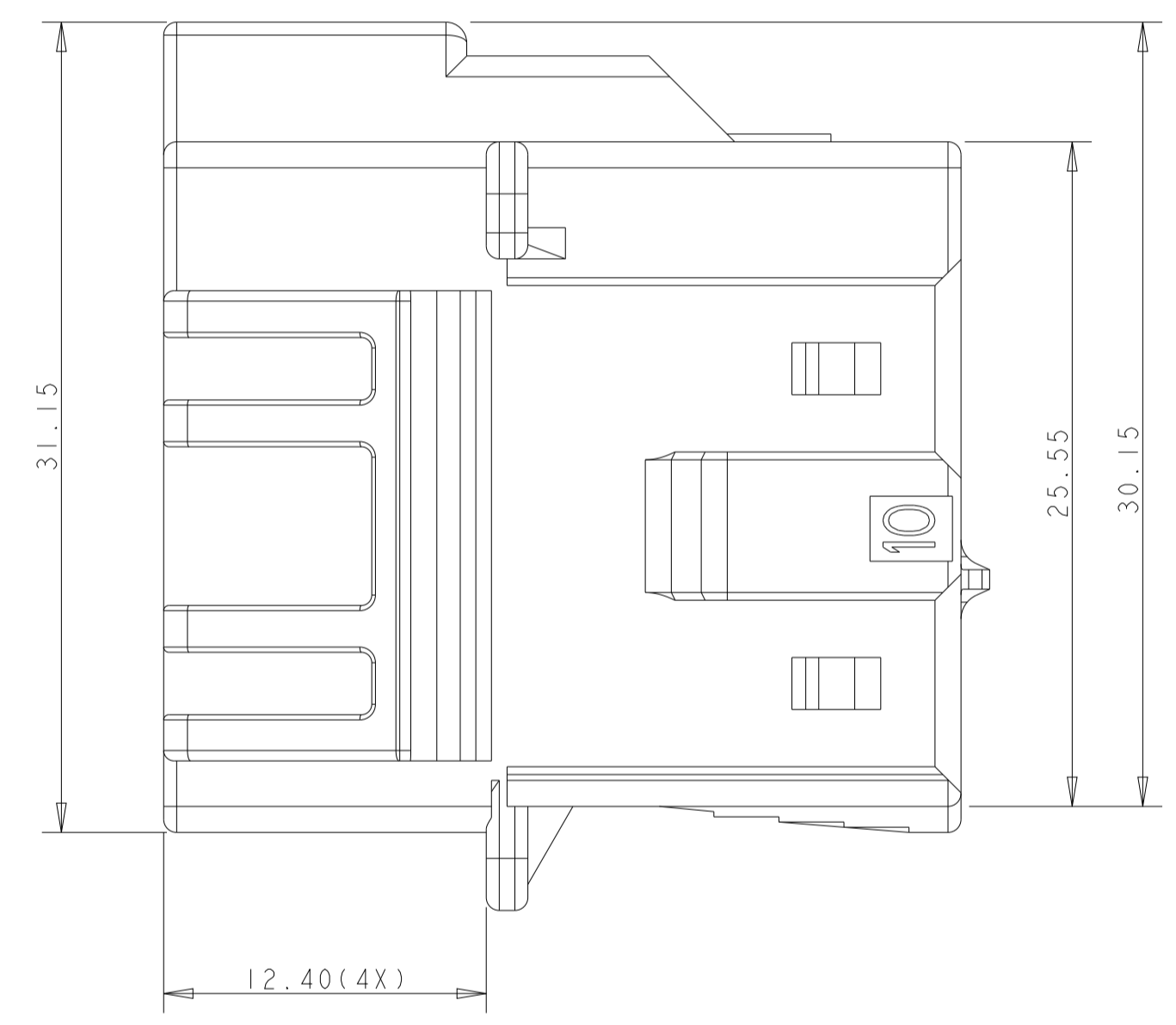
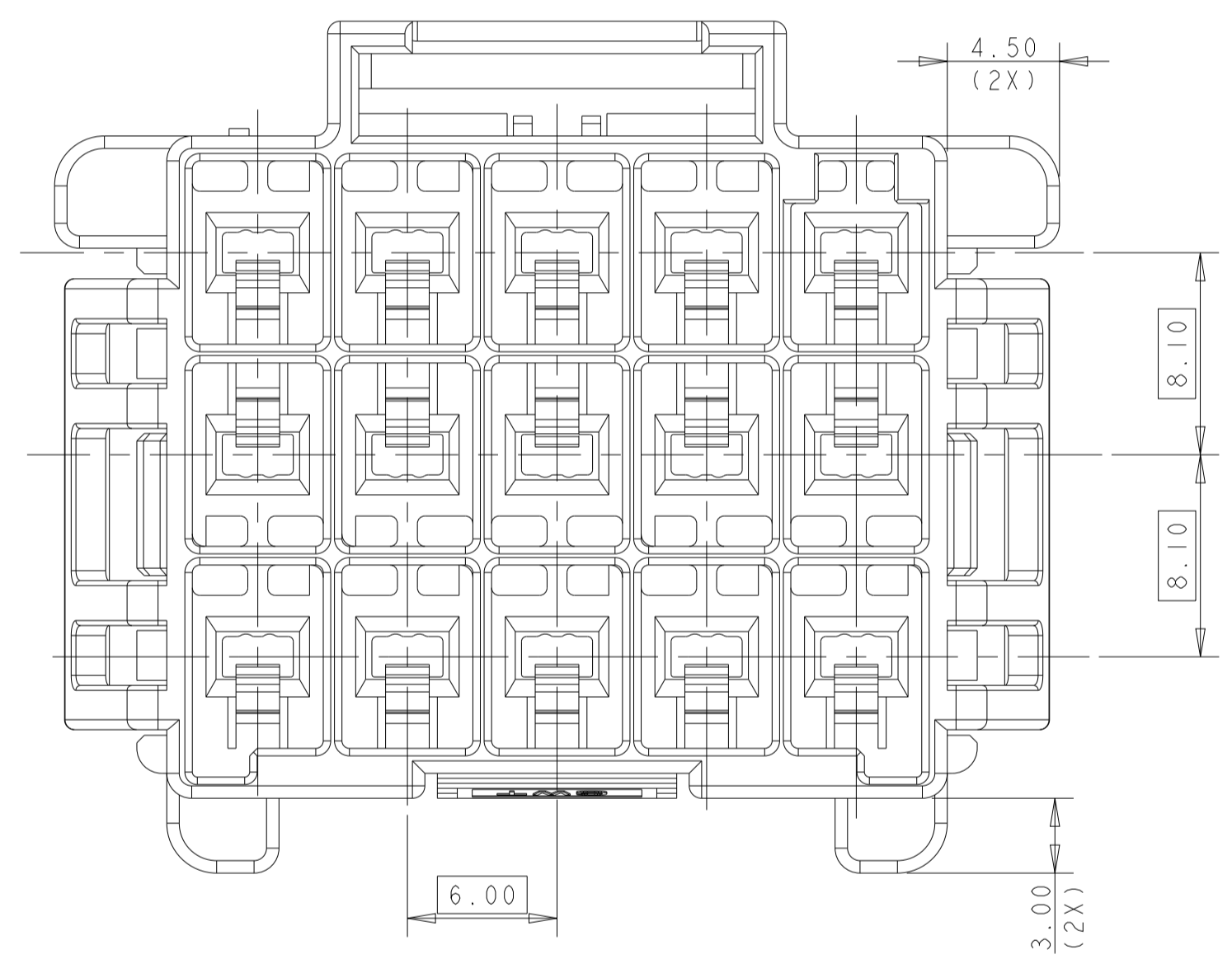


LOC		DIST		REVISIONS			
P	LTN	DESCRIPTION	DATE	DWN	APVD		
C		REVISED PER ECR-21-100678	08APR2021	SS	VS		
C1		REVISED PER ECR-22-144223	13JUN2022	PJ	VS		
D		REVISED PER ECR-23-219171	29JUN2023	MC	DS		



RECOMMENDED PANEL OPENING DIMENSIONS FOR CAP HOUSING 3\*5 AND 3\*4 POSITIONS (TOLERANCE: ±0.15mm)

RECOMMENDED PANEL OPENING DIMENSIONS FOR CAP HOUSING 3\*3 POSITION (TOLERANCE: ±0.15mm)



- NOTE
- MATERIAL:
    - LEVEL A: PA66 GLASS FILLED, COMPLY WITH GLOW WIRE REQUIREMENTS FOR PARTS OF NON-METALLIC MATERIAL SUPPORTING A CURRENT-CARRYING CONNECTION DETAILED IN IEC 60335-1, SECTION 30 (GWT), UL 94V-0
    - LEVEL B: PBT GLASS FILLED, HOT WIRE IGNITION (HWI) VERSION ARE MOLDED IN A RESIN THAT COMPLIES WITH TE HOT WIRE IGNITION TEST 109-32026 AND ARE RECOMMENDED FOR USE WITH HWI HOUSINGS THAT ALSO COMPLY, UL 94V-0
  - MATERIAL MARK:
    - LEVEL A:GWT,LEVEL B:HWT
  - APPLICABLE CONTACT P/N
    - TAB CONTACT:1971238/1971780/82/84/86/88-\*
  - MATING CONN. P/N
    - PLUG HSG: \*-2232357-\*
    - TPA SINGLE ROW: \*-1971777-\*
    - TPA DOUBLE ROW: \*-1971777-\*
  - RECOMMENDED PANEL THICKNESS:1.0~2.0mm

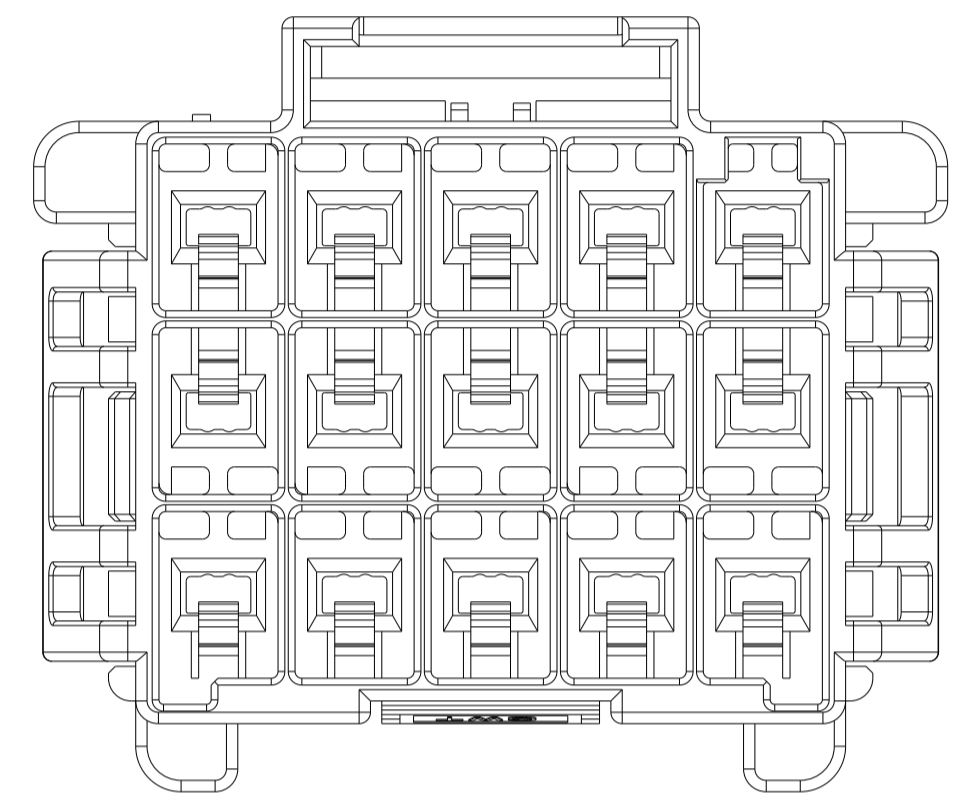
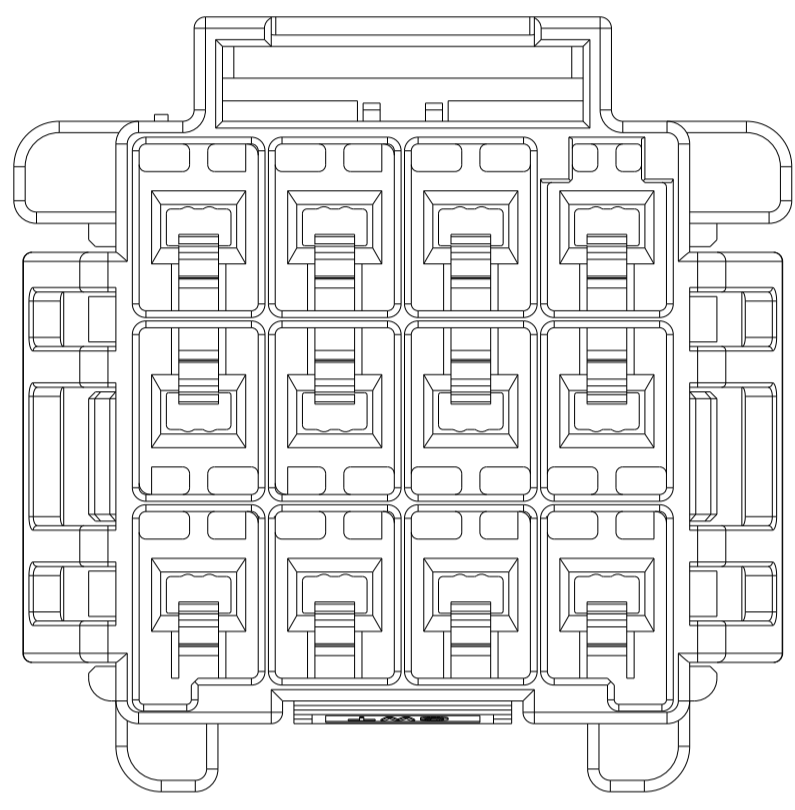
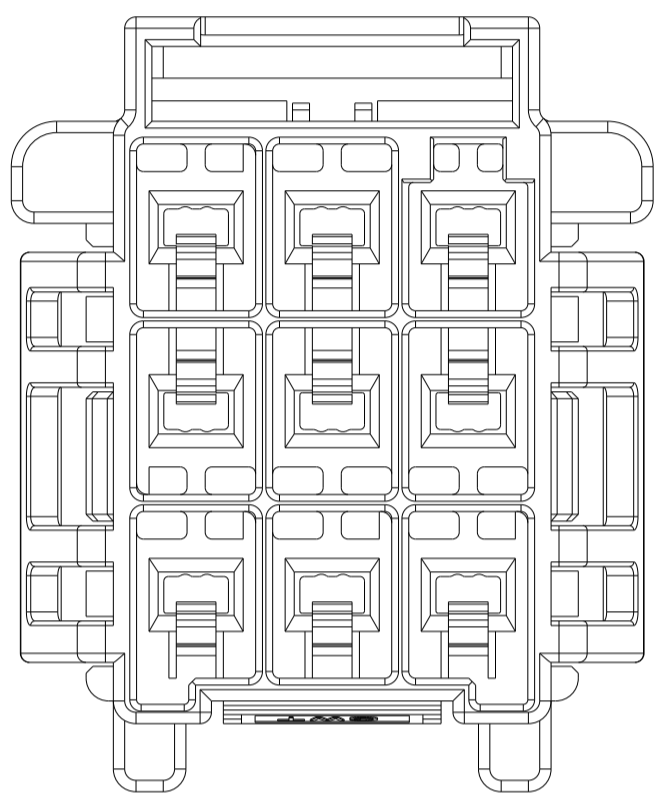
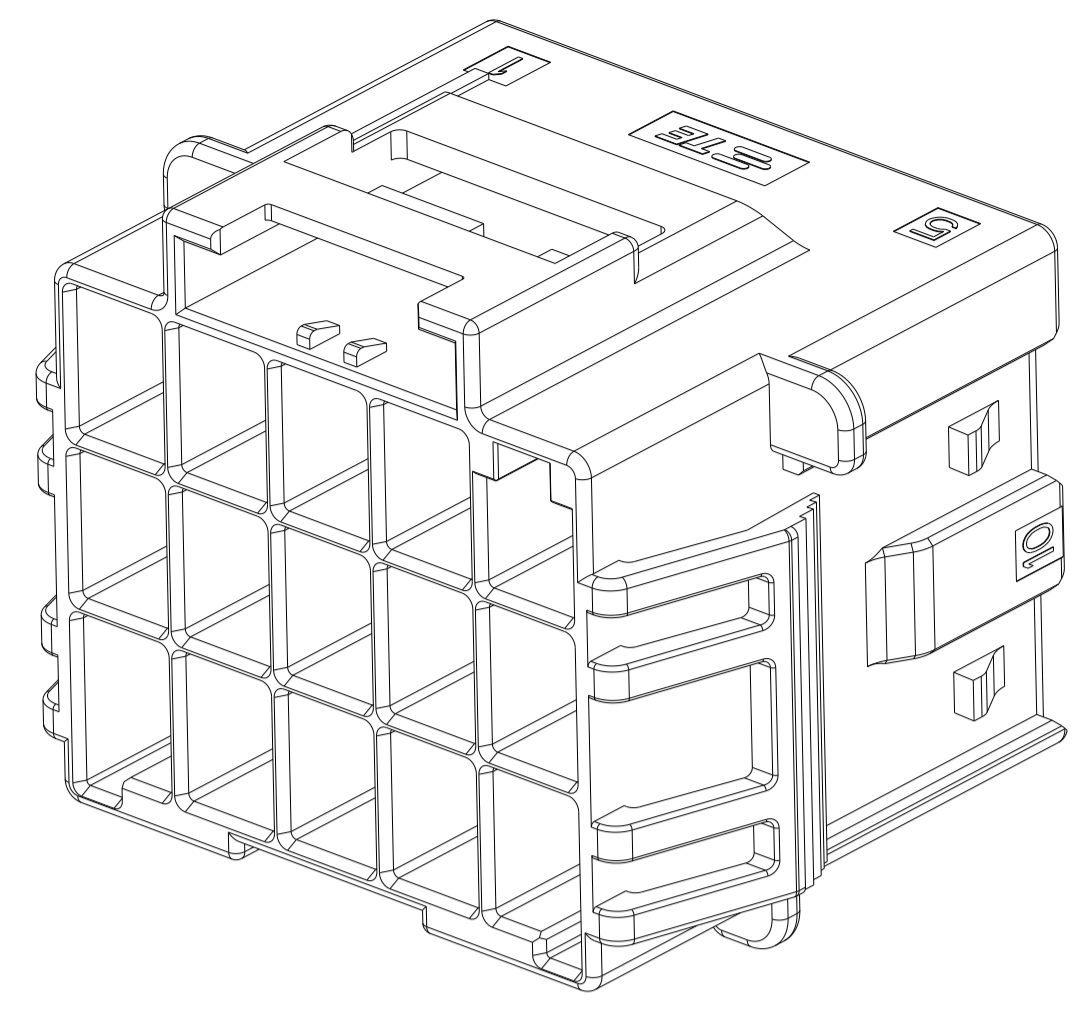
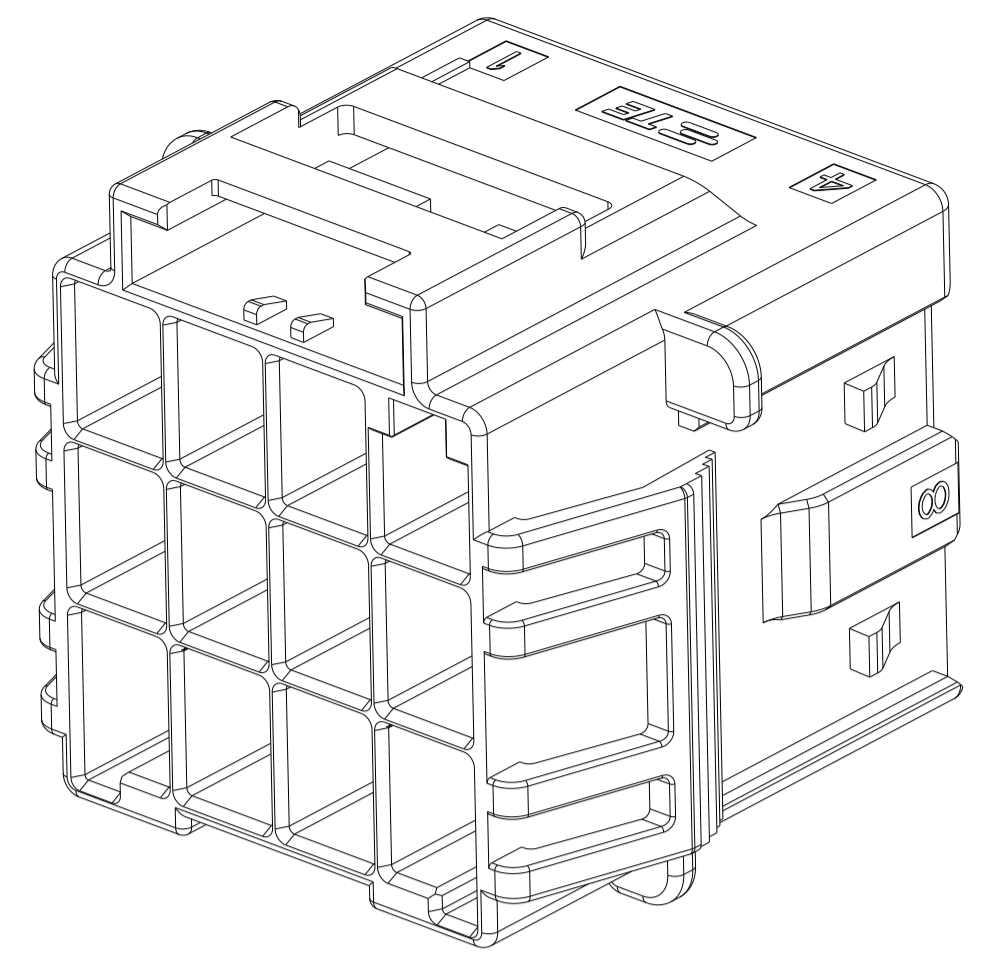
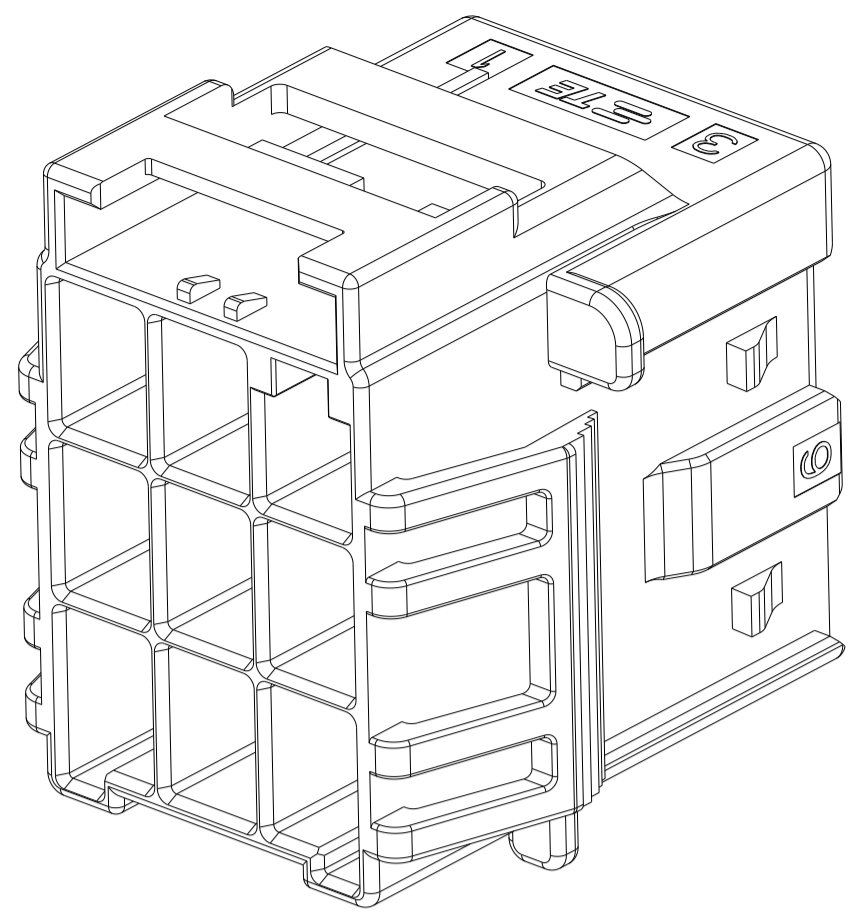
POS	A	B	C	D	E
3*5	33.70	39.5	31.30	36.70	31.80
3*4	27.70	33.5	25.30	30.70	25.80
3*3	21.70	27.5	19.30		

THIS DRAWING IS A CONTROLLED DOCUMENT.

DIMENSIONS:	TOLERANCES UNLESS OTHERWISE SPECIFIED:	DWN TOMMY WU 26MAR2013	CHK HAPYE WU 26MAR2013	APVD YUHONG MAO 26MAR2013	NAME CAP HOUSING, PANEL MOUNT, TRIPLE ROW POWER TRIPLE LOCK
mm	0 PLC ±	PRODUCT SPEC	108-106118	APPLICATION SPEC	SIZE CAGE CODE DRAWING NO
	1 PLC ±0.35	114-106118	WEIGHT	RESTRICTED TO	
	2 PLC ±0.25	Customer Drawing	SCALE 4:1	SHEET 1 OF 2	REV D
	3 PLC ±				
	4 PLC ±				
	ANGLES ±				
	FINISH				

4805 (3/11)

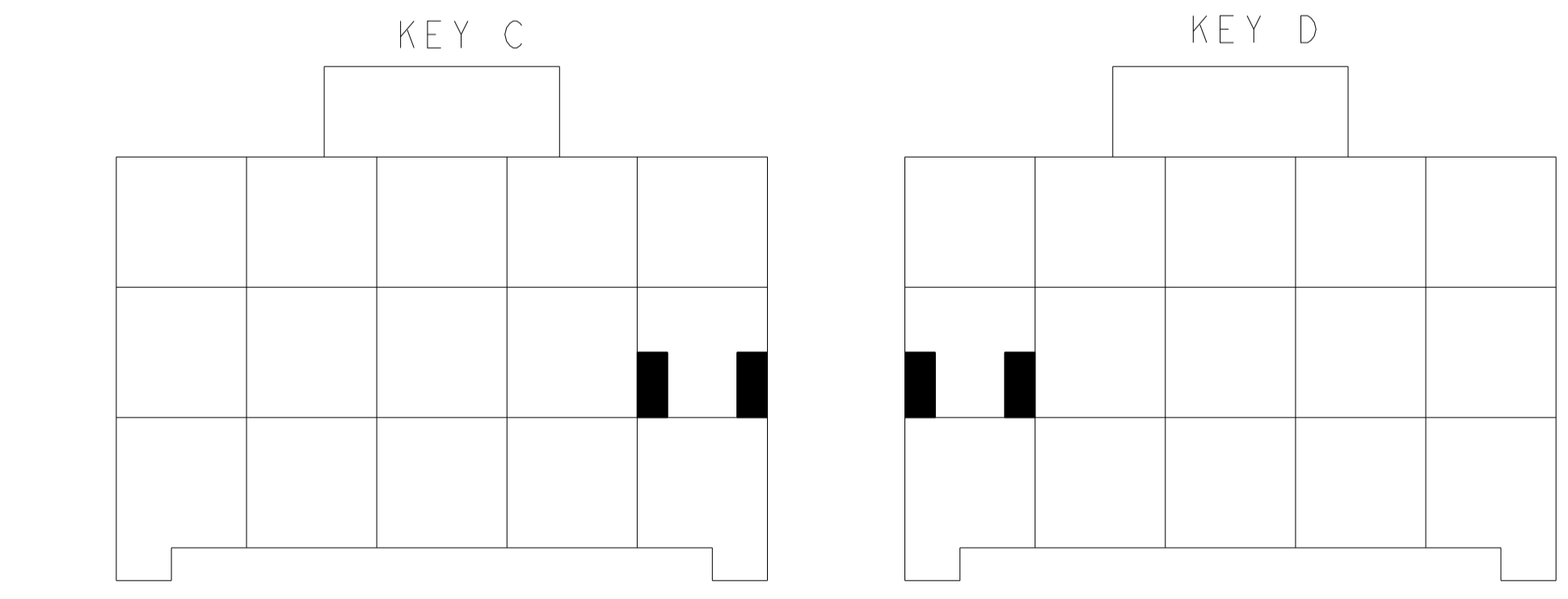
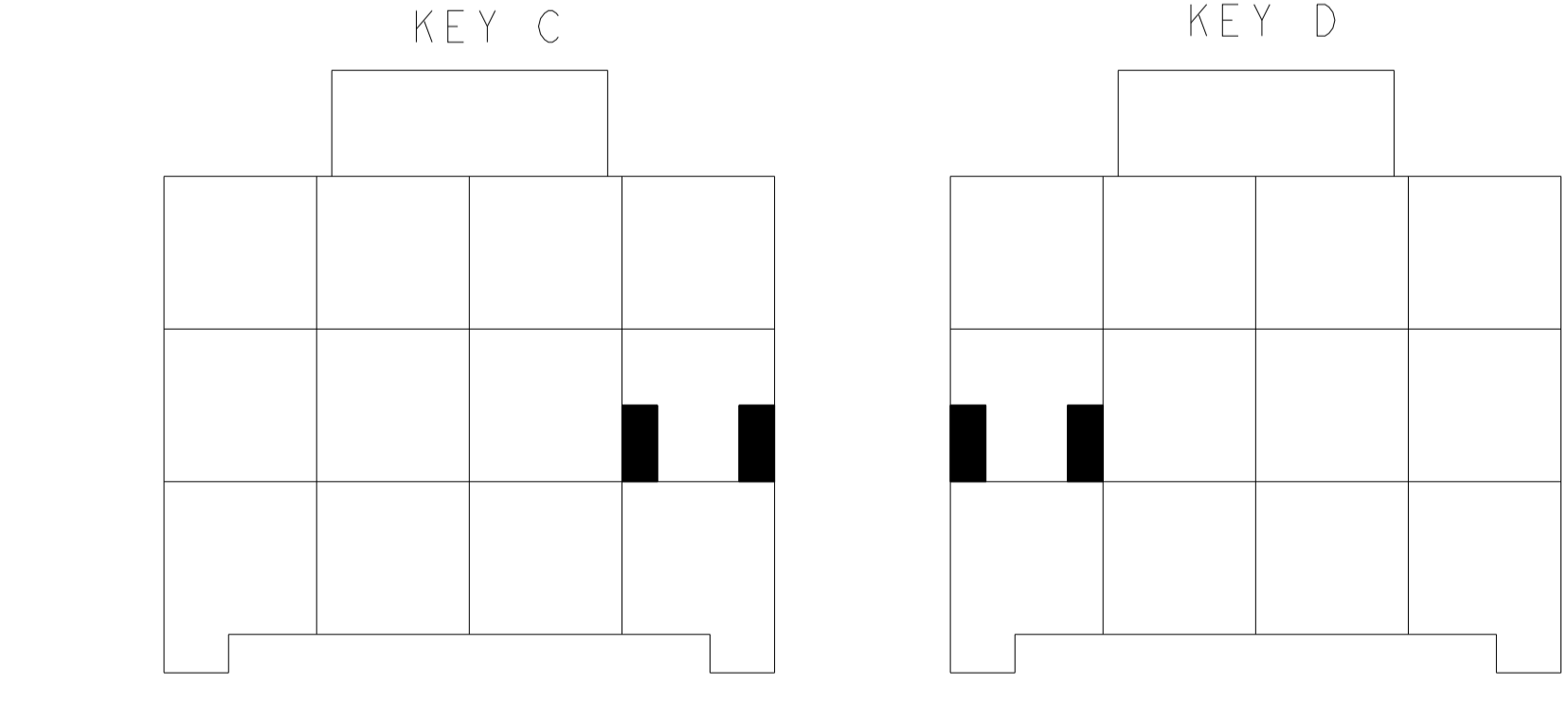
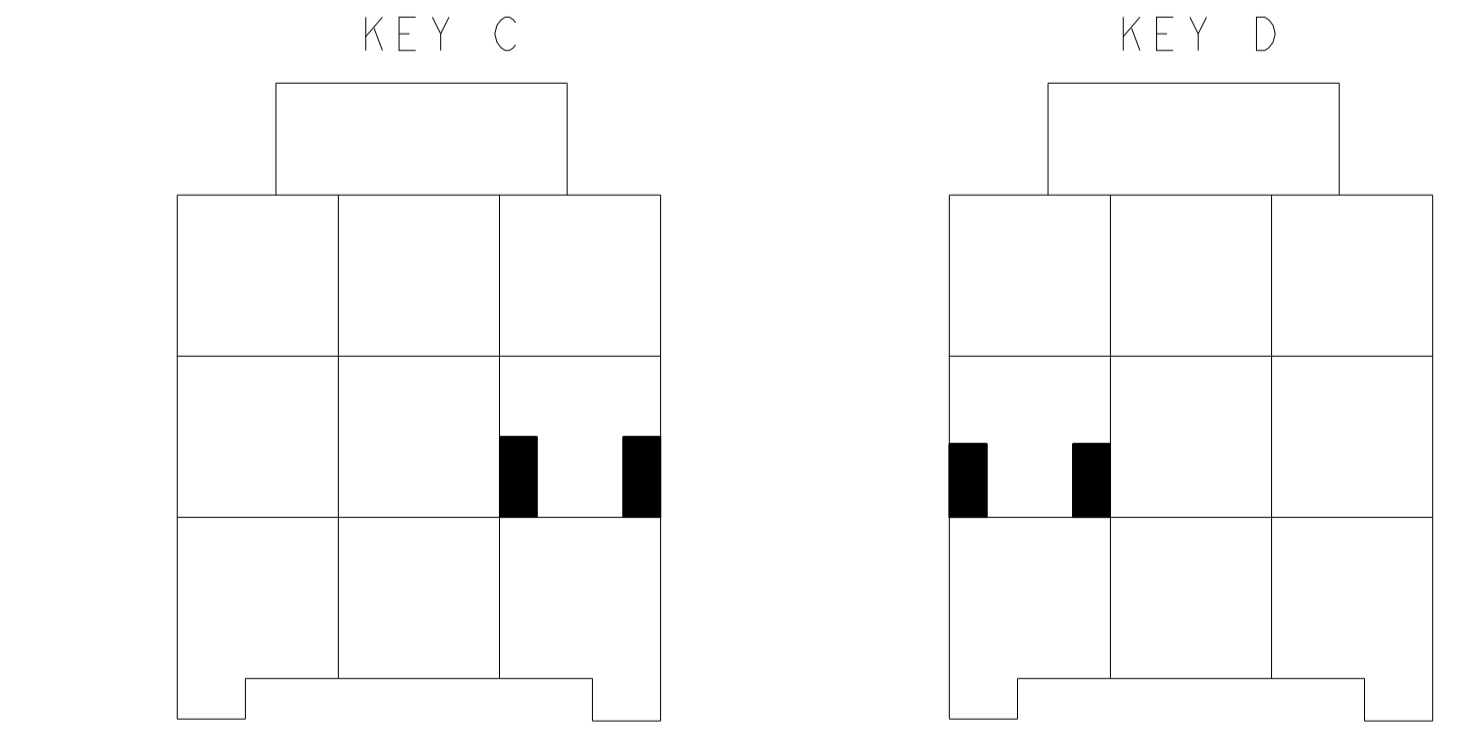
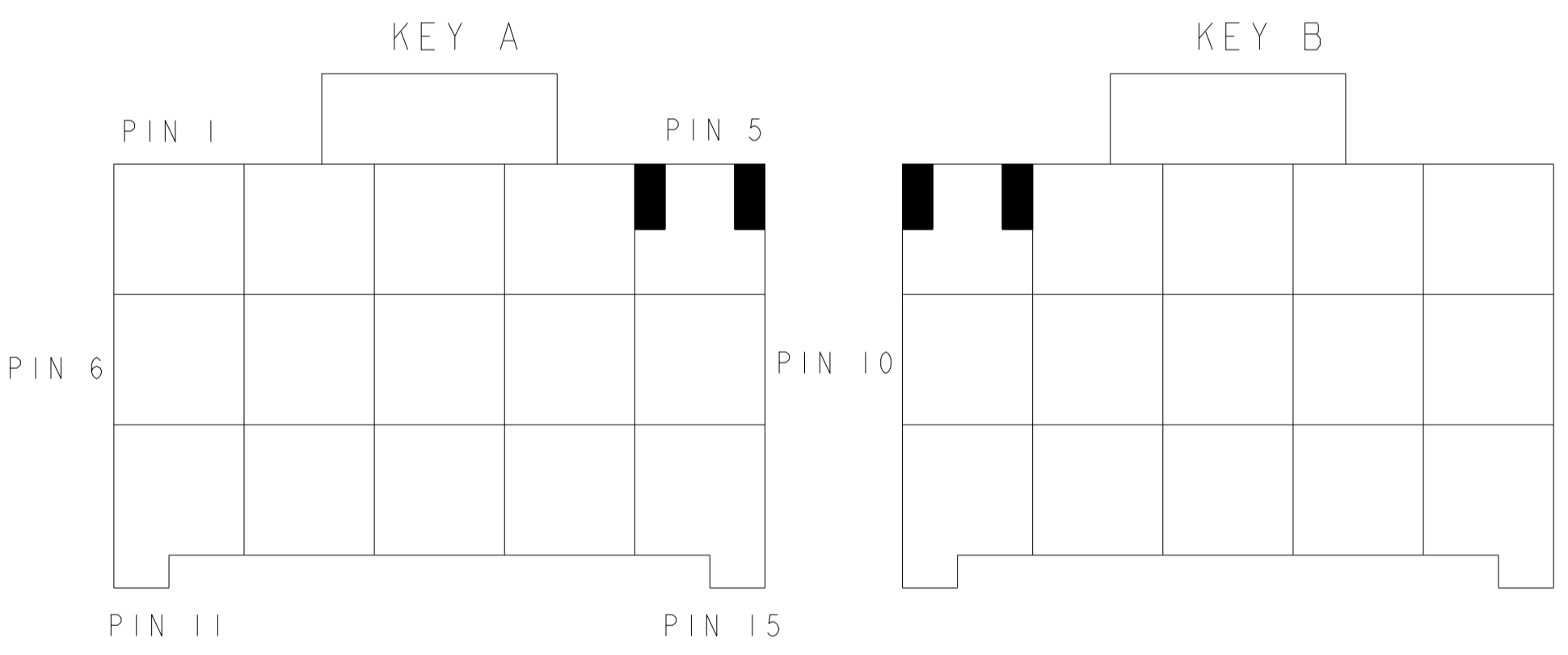
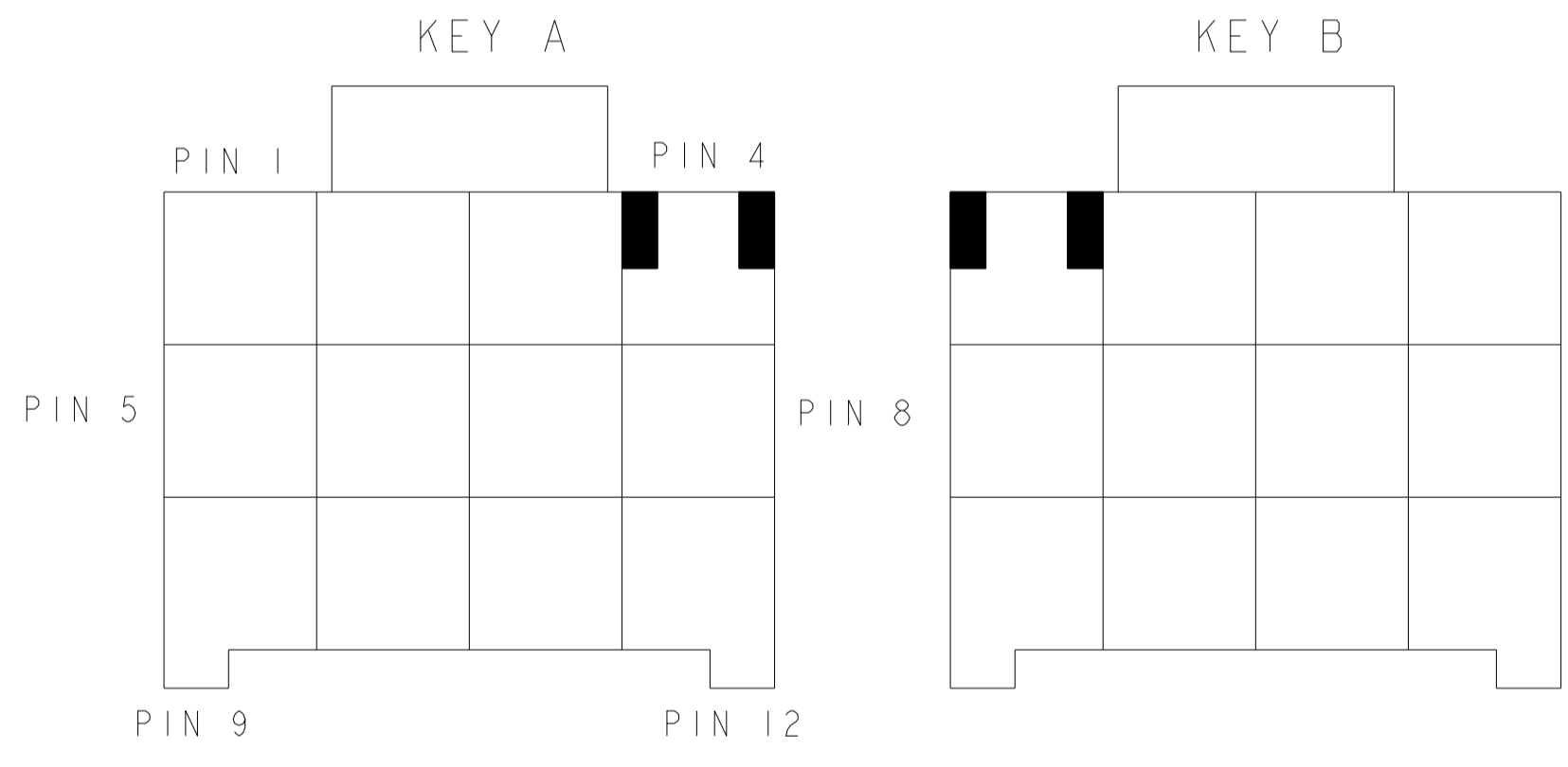
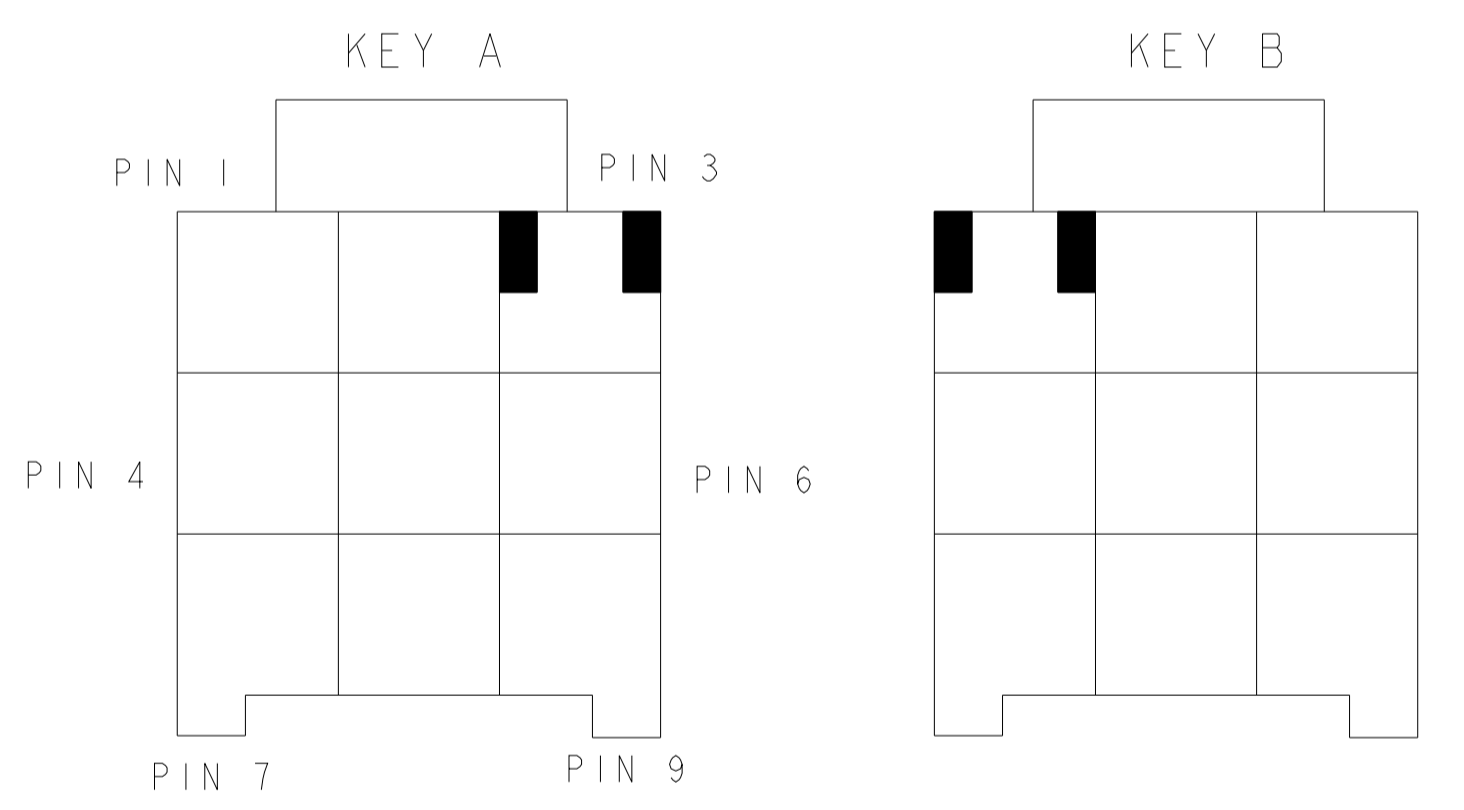
LOC		DIST		REVISIONS			
P	LTN	DESCRIPTION	DATE	OWN	APVD		
-	-	SEE SHEET 1	-	-	-		



3\*3 POSITIONS

3\*4 POSITIONS

3\*5 POSITIONS



KEYING FOR 3\*3 POS.

KEYING FOR 3\*4 POS.

KEYING FOR 3\*5 POS.

POS.	MATERIAL	COLOR	KEY	P/N
3*5	LEVEL A	DARK GREY	KEY A	5-2232356-7
		BROWN	KEY B	6-2232356-7
		GREEN	KEY C	7-2232356-7
		ORANGE	KEY D	8-2232356-7
3*4	LEVEL A	BLACK	KEY A	1-2232356-5
		DARK GREY	KEY A	5-2232356-4
		BROWN	KEY B	6-2232356-4
		GREEN	KEY C	7-2232356-4
3*3	LEVEL A	ORANGE	KEY D	8-2232356-4
		DARK GREY	KEY A	5-2232356-3
		BROWN	KEY B	6-2232356-3
		GREEN	KEY C	7-2232356-3
LEVEL B	BLACK	KEY A	1-2232356-6	
		KEY A	1-2232356-6	

THIS DRAWING IS A CONTROLLED DOCUMENT.

OWN: TOMMY WU 26MAR2013  
 CHG: HAPYE WU 26MAR2013  
 APVD: YUHONG MAO 26MAR2013

DIMENSIONS: mm  
 TOLERANCES UNLESS OTHERWISE SPECIFIED:  
 0 PLC ±  
 1 PLC ±0.35  
 2 PLC ±0.25  
 3 PLC ±  
 4 PLC ±  
 ANGLES ±  
 FINISH

MATERIAL: -

Customer Drawing

NAME: CAP HOUSING, PANEL MOUNT, TRIPLE ROW POWER TRIPLE LOCK

SIZE: A1  
 CAGE CODE: 100779  
 DRAWING NO: 114-106118  
 APPLICATION SPEC: 108-106118  
 WEIGHT: -  
 SCALE: -  
 SHEET: 2 OF 2  
 REV: D

TE Connectivity