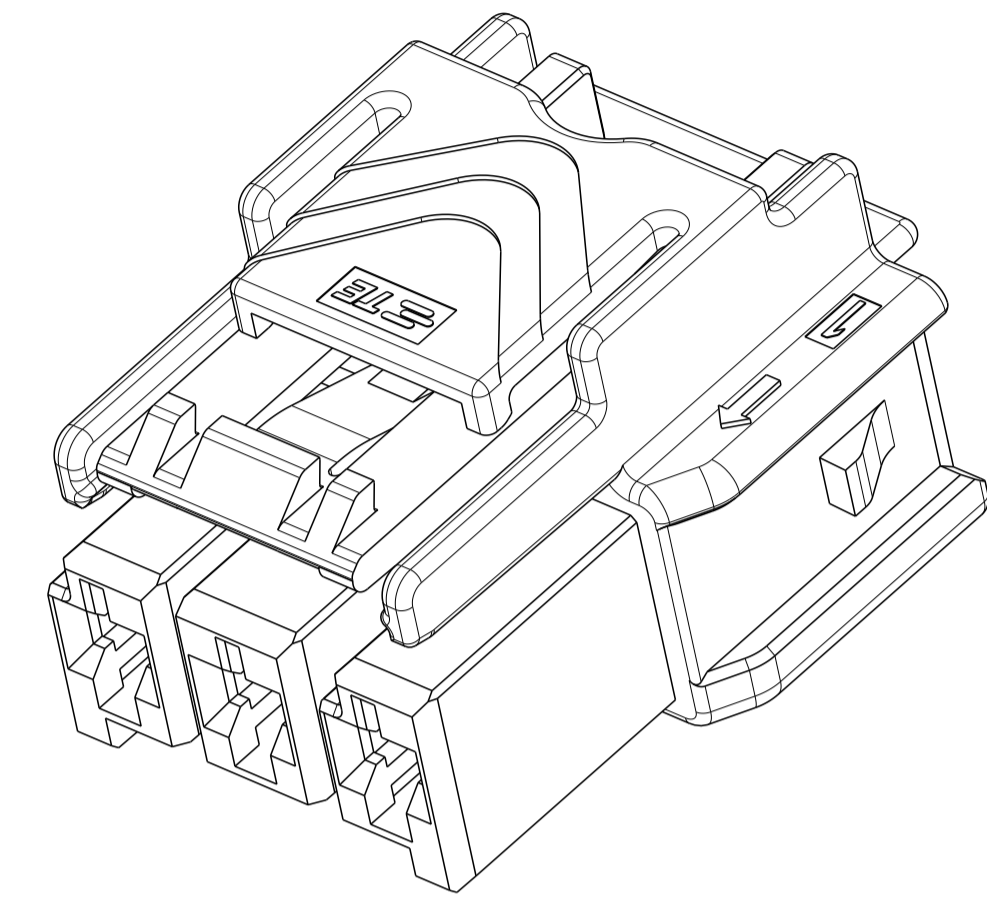
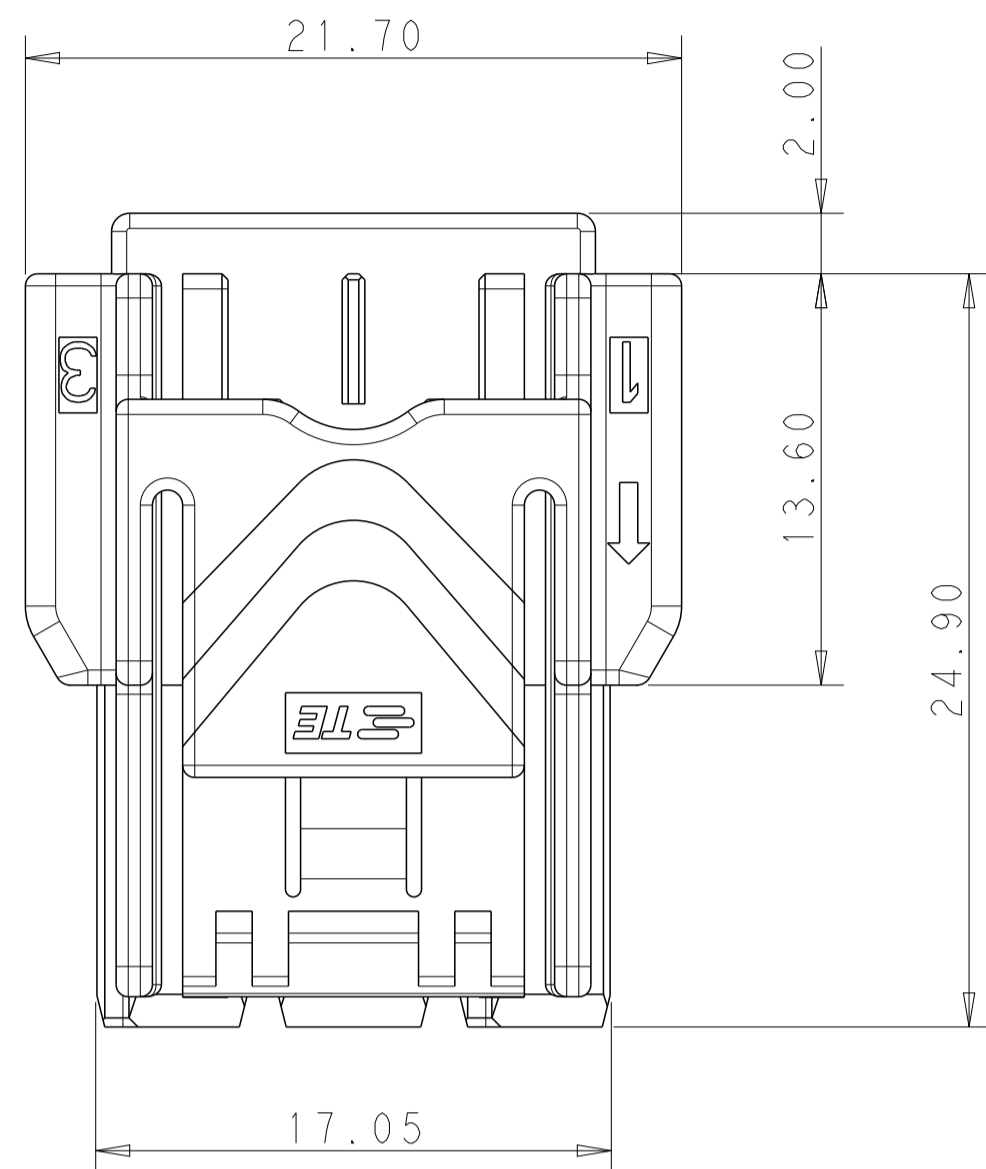
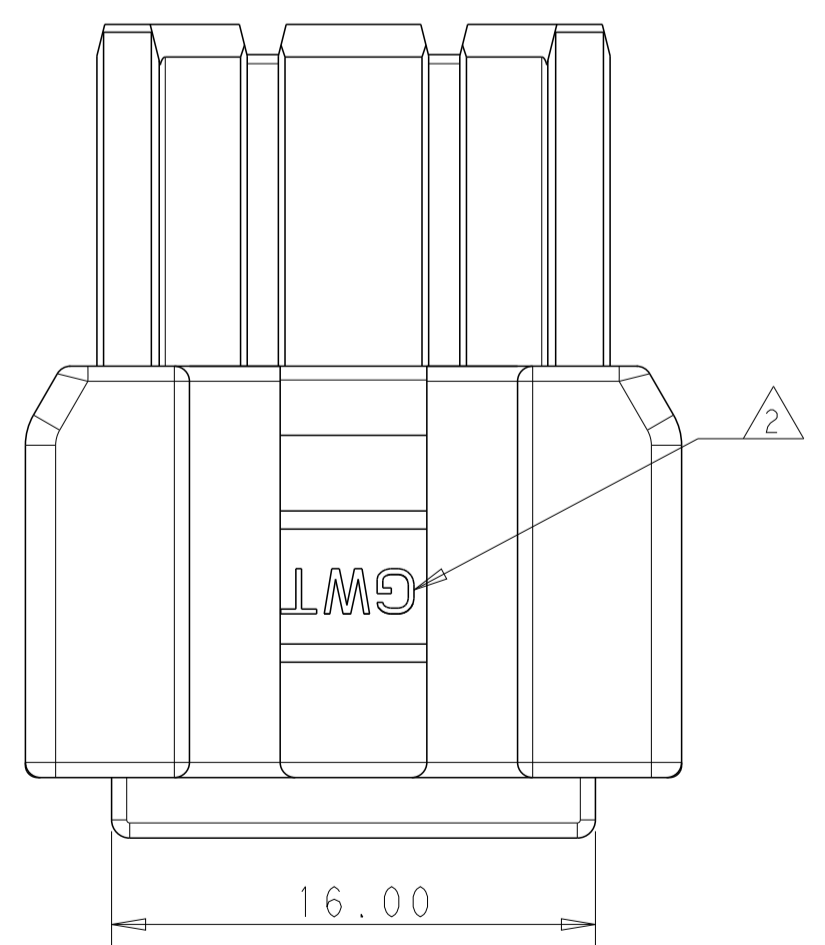
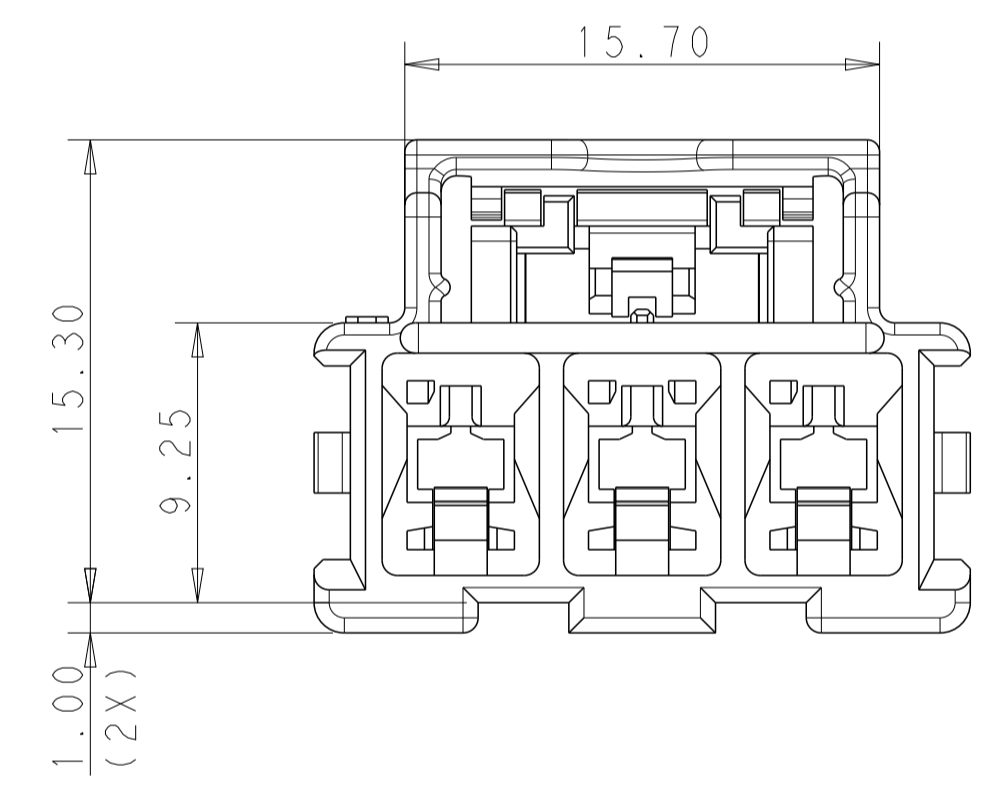
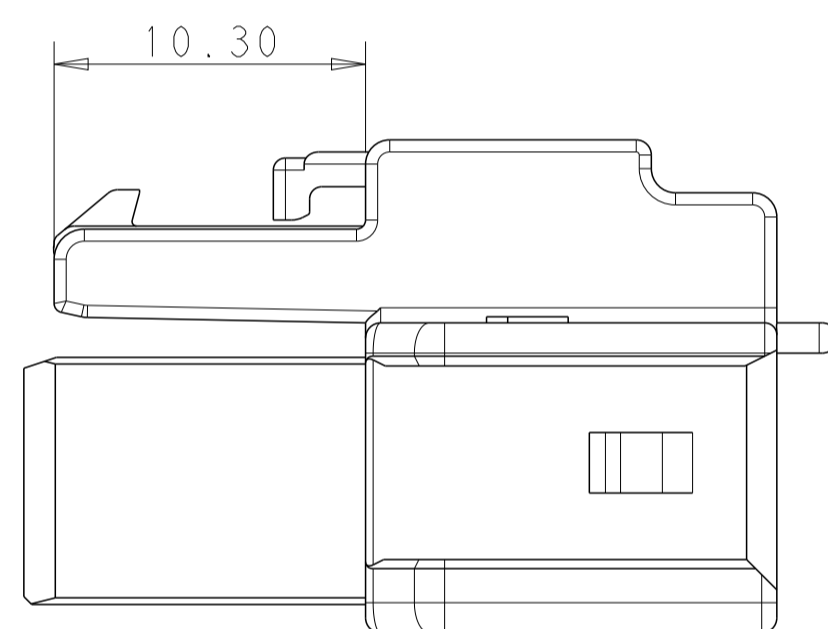
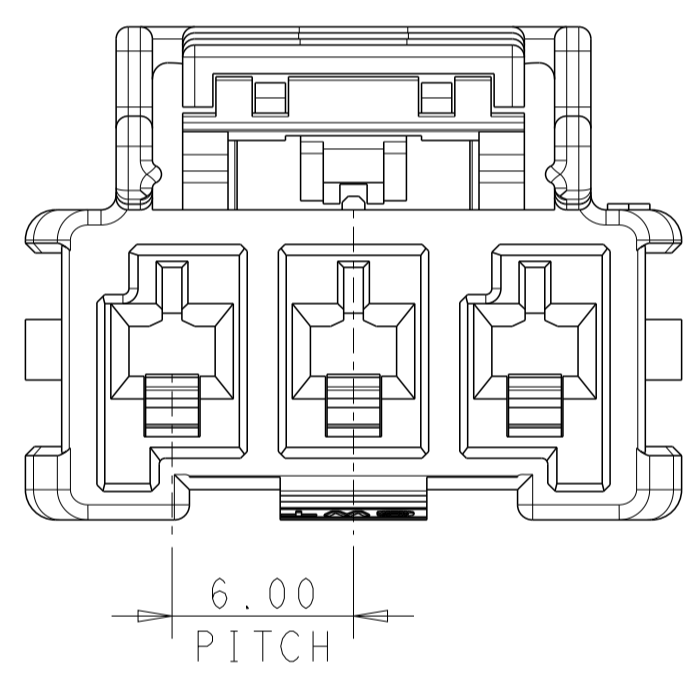


REVISIONS				
P	LTN	DESCRIPTION	DATE	APVD
B1		REVISED PER ECO-16-012046	16AUG16	RS GJ
C		REVISED AS PER ECN-24-257663	25MAR2024	SKR DS



- 1 MATERIAL: NYLON PA66 GLASS FILLED, NATURAL, UL94 V-0
- 2 MATERIAL MARK:GWT
- 3 COMPLIES WITH GLOW WIRE REQUIREMENT FOR PARTS OF NON-METALLIC MATERIAL SUPPORTING A CURRENT CARRYING CONNECTION DETAILED IN IEC 60335-1, SECTION 30 (GWT 750°C NF)
- 4 APPLICABLE CONTACT P/N
REC CONTACT: 2232723-* and 2238093-*
- 5 MATING CONN, P/N
CAP HSG:5-2232353-3
TPA (LOCKING PLATE):1971777-3



1*3	GWT	NATURAL	5-2232362-3
POS.	MATERIAL	COLOR	P/N

THIS DRAWING IS A CONTROLLED DOCUMENT.		OWN: LEI PAN 23JUL2013	TE Connectivity NAME: PLUG HOUSING 3 POSITION PTL MFBL (MAKE FIRST BREAK LAST)
DIMENSIONS: mm		CHK: HAPYE_WU 23JUL2013	
TOLERANCES UNLESS OTHERWISE SPECIFIED:		APVD: YUHONG MAO 23JUL2013	
0 PLC ± 1 PLC ±0.35 2 PLC ±0.25 3 PLC ± 4 PLC ± ANGLES ± FINISH ±		PRODUCT SPEC: 108-106147 APPLICATION SPEC: 114-106147 WEIGHT: - Customer Drawing	
MATERIAL: 1		SIZE: A100779	RESTRICTED TO: -
		SCALE: 4:1	SHEET 1 OF 1 REV C