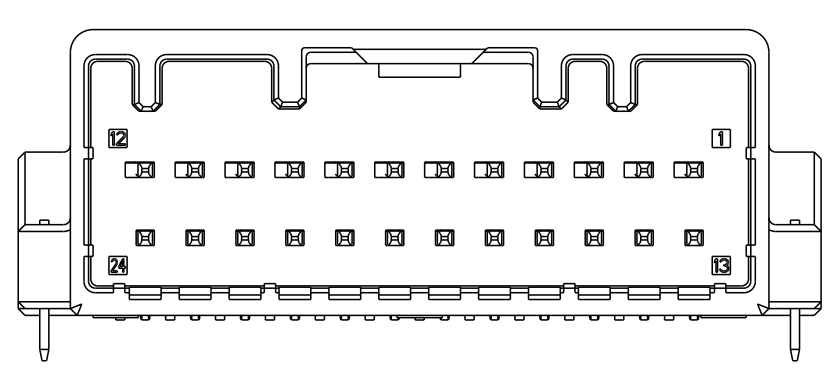
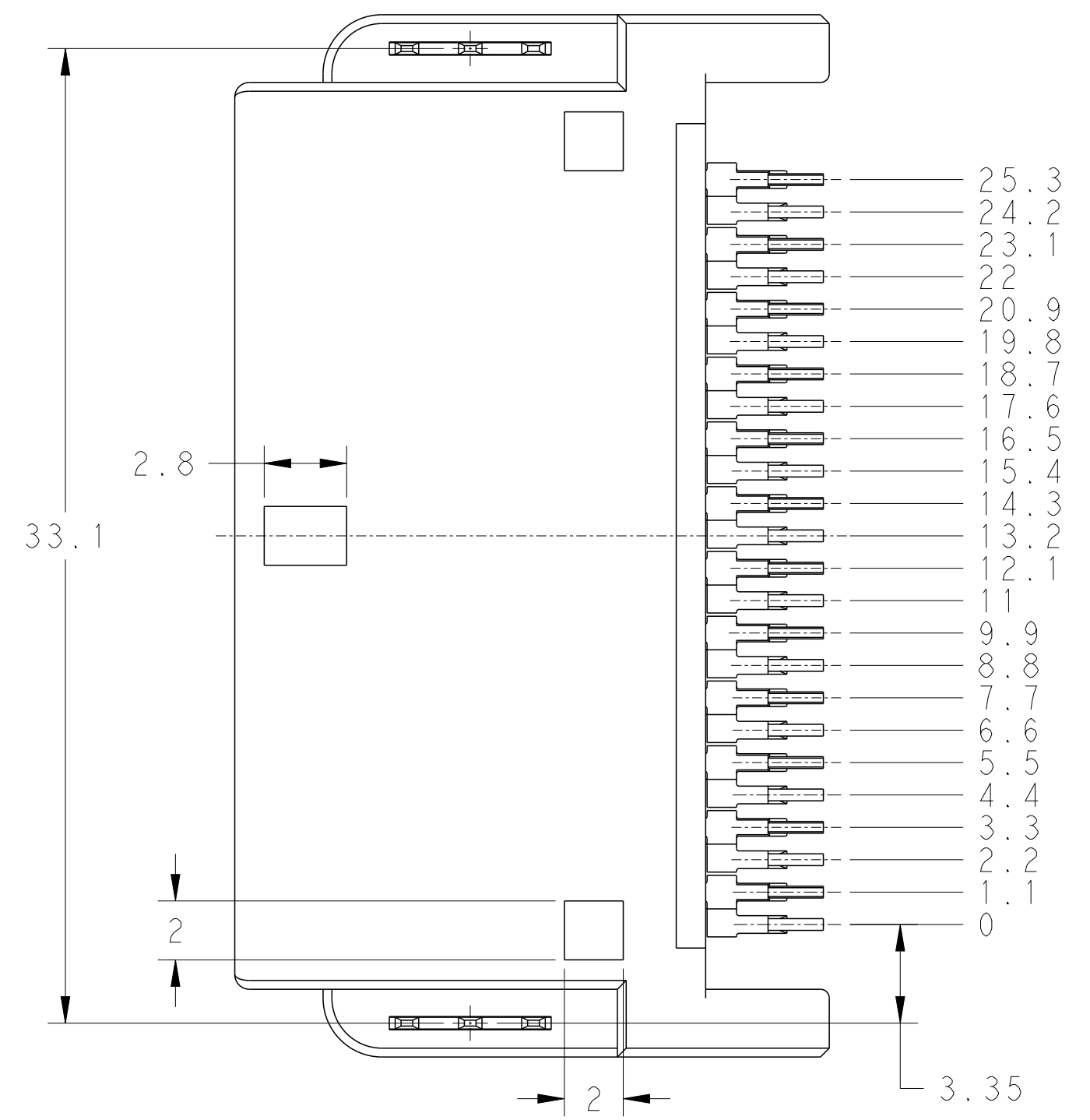
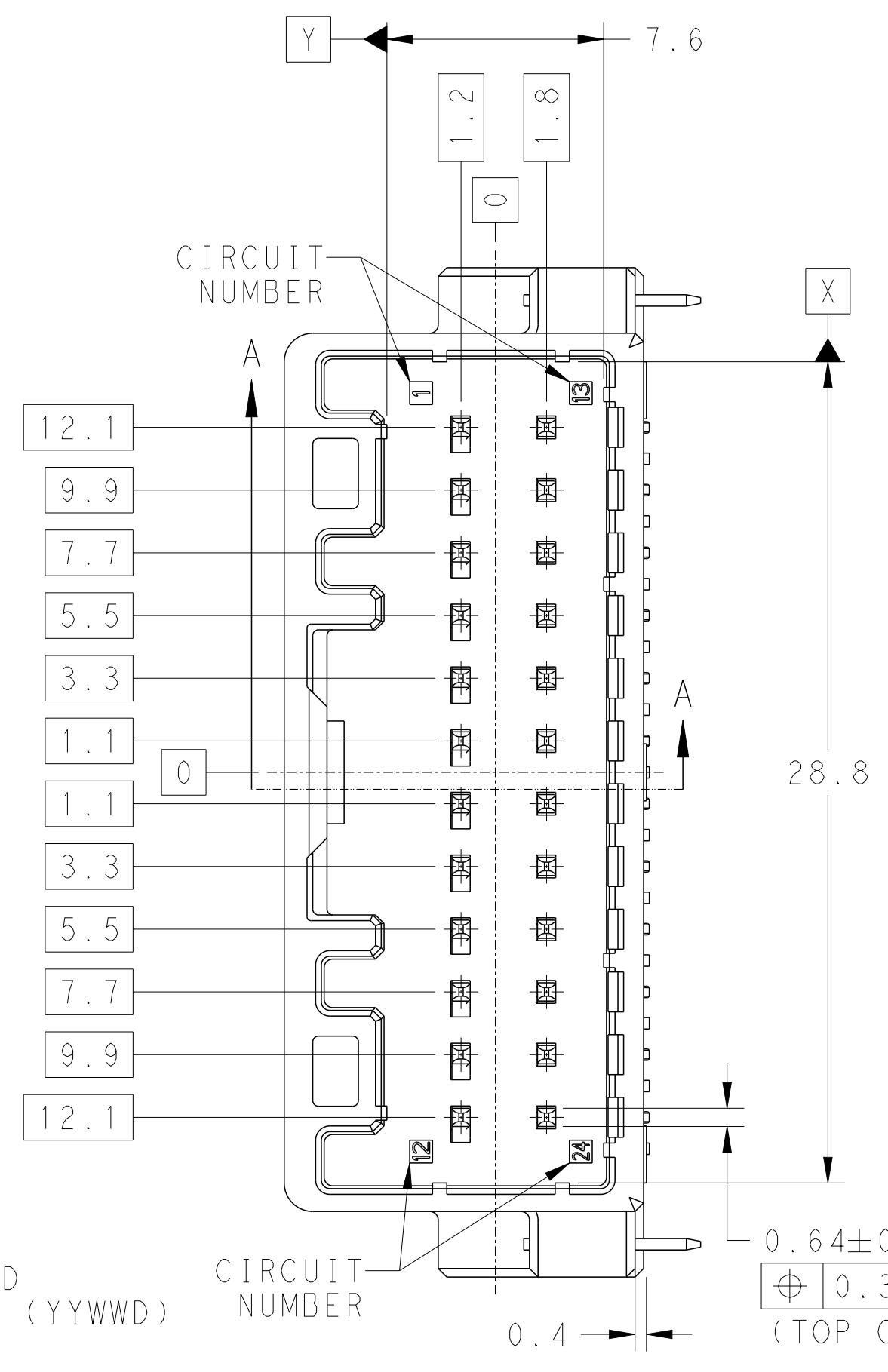
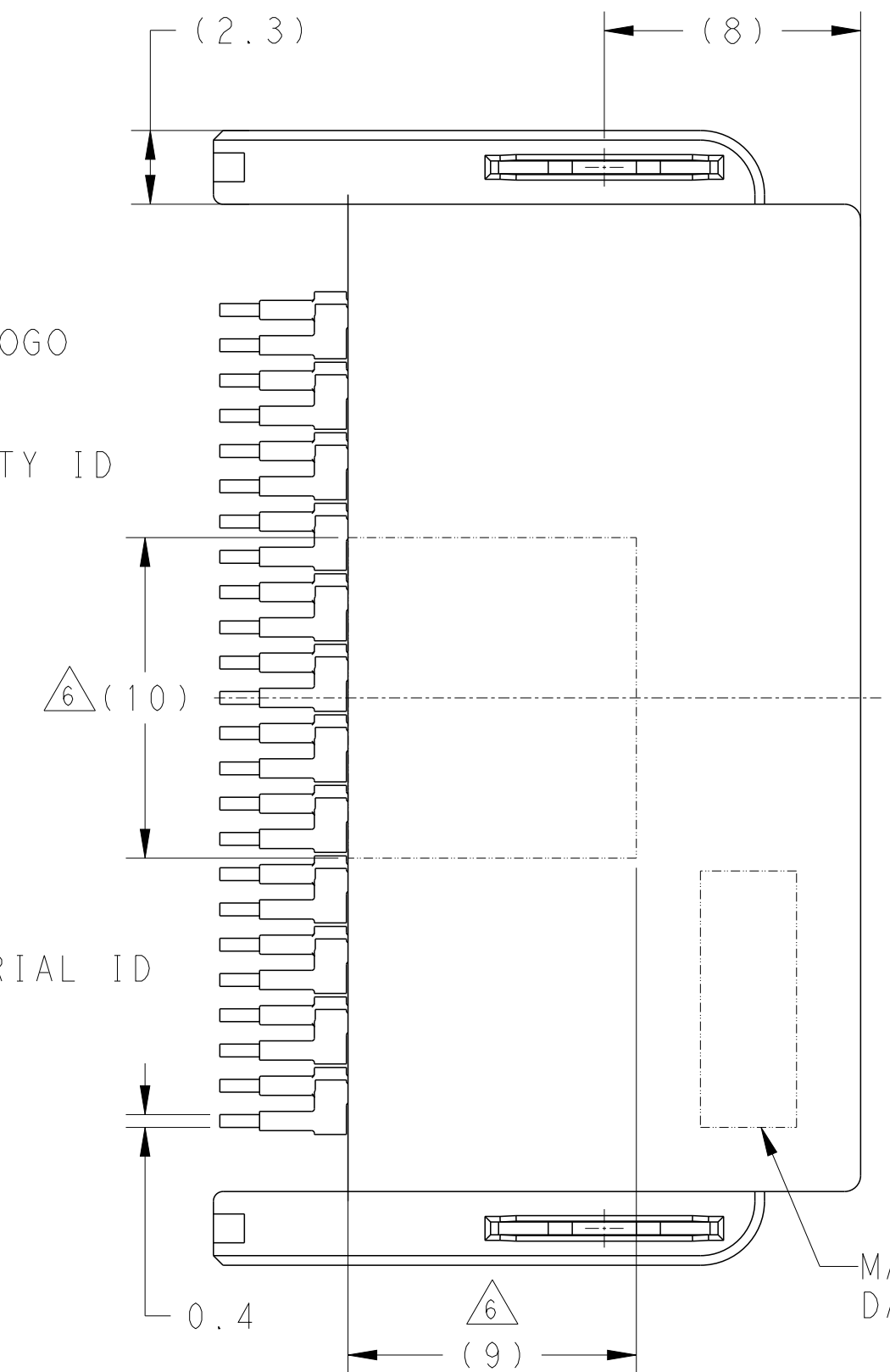
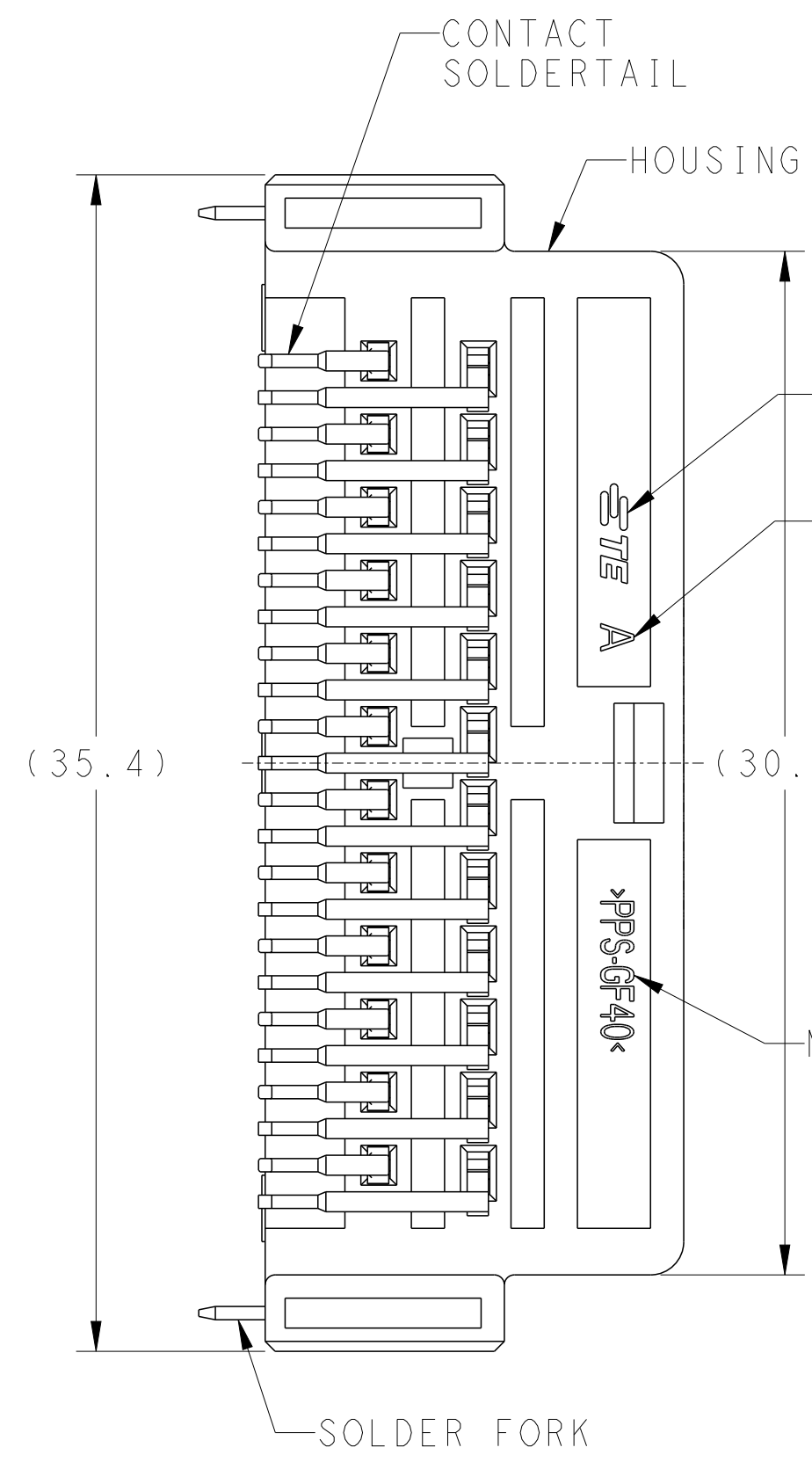
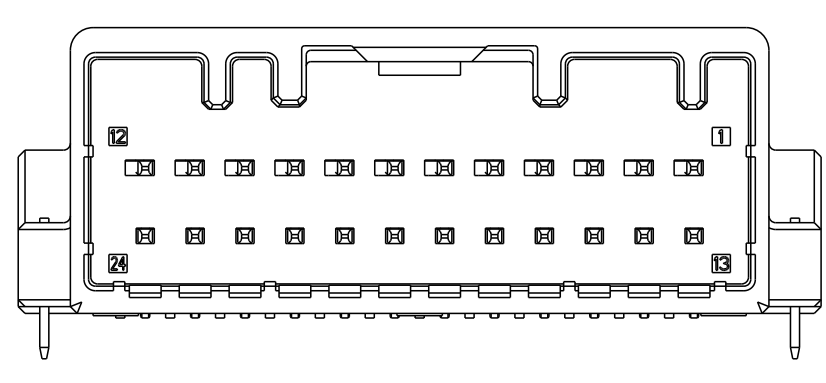


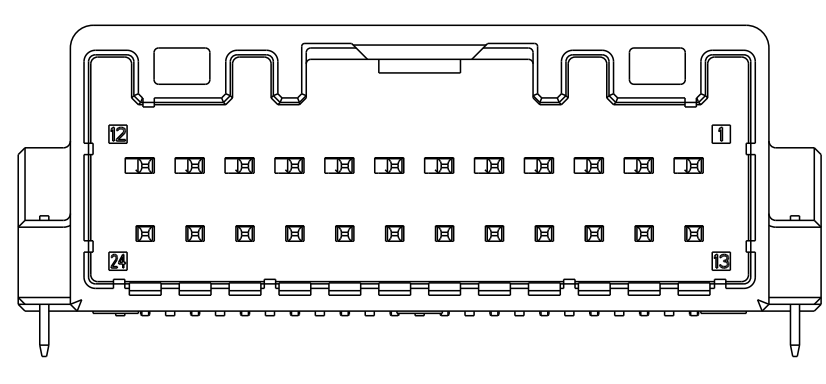
REVISIONS					
REV	DATE	DESCRIPTION	BY	CHKD	APPD
A1	14JUN2018	REVISED ECR-18-006484	JC	LSF	
B	21NOV2018	REVISED ECR-18-012315	JC	LSF	
B1	24APR2019	REVISED ECR-19-006542	JC	TK	
B2	13JUL2023	REVISED ECR-23-181136	JC	KK	



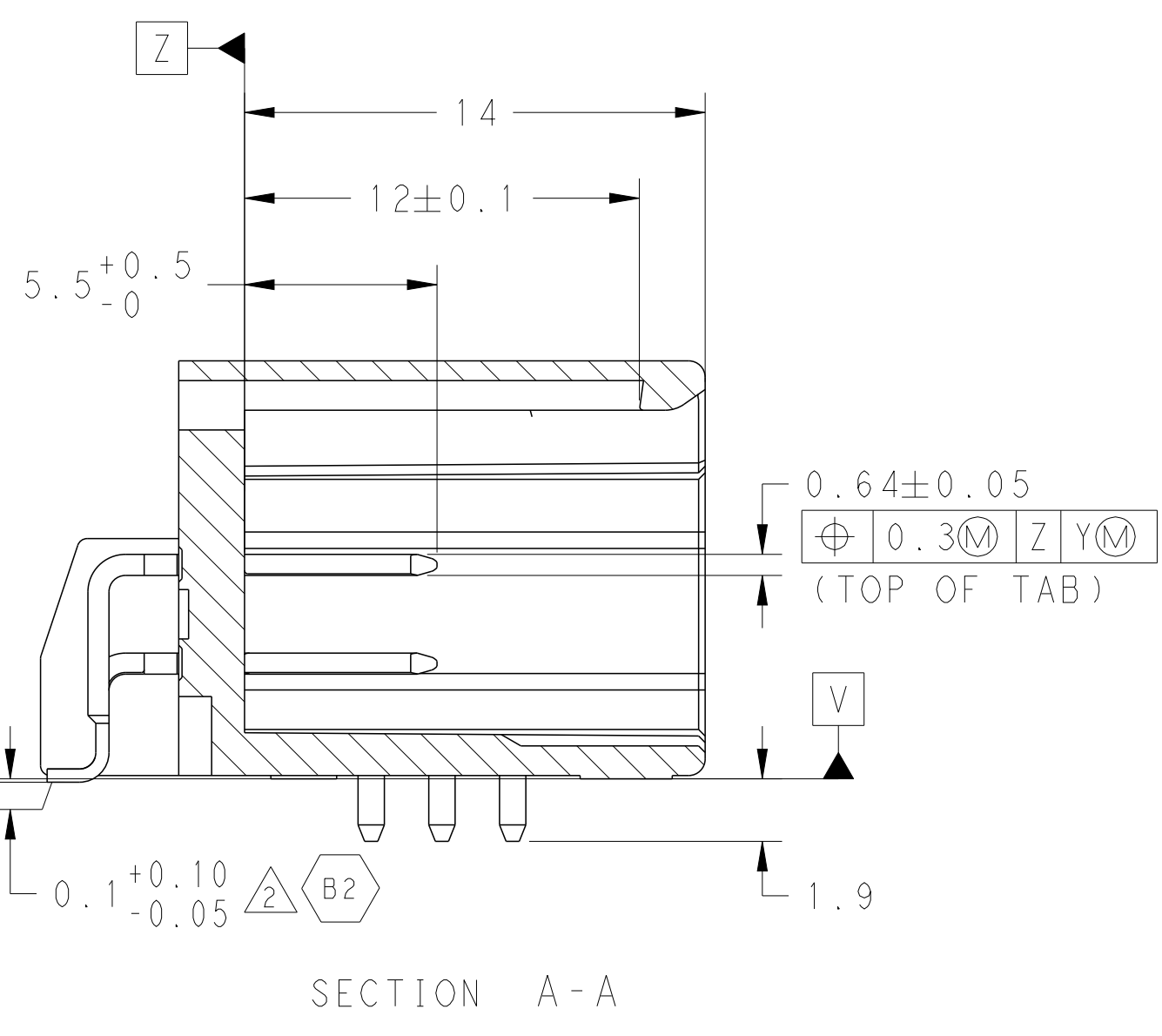
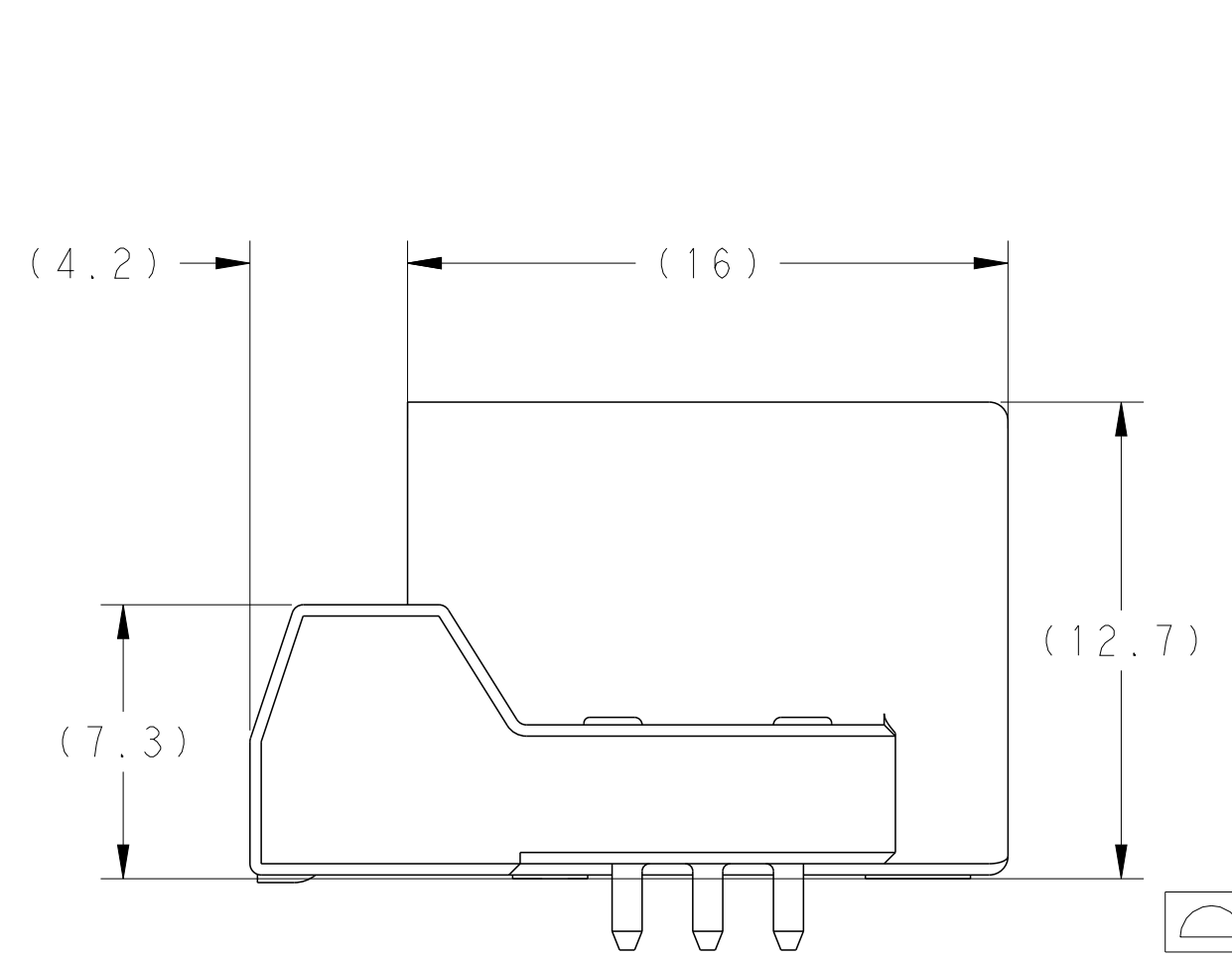
SWS TH24MB-X



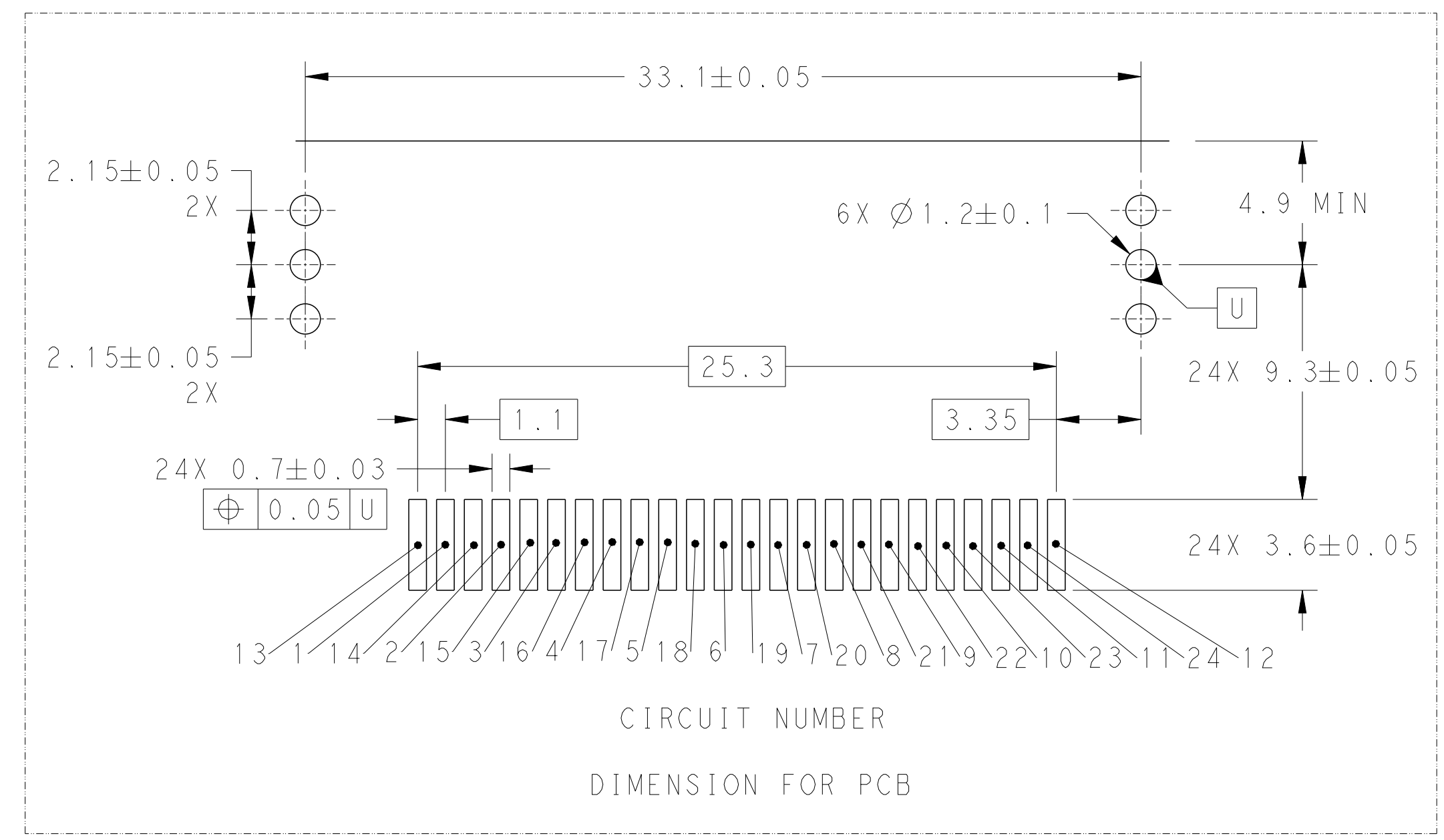
SWS TH24MGY-X



TE KEYING 1



SECTION A-A



CIRCUIT NUMBER
DIMENSION FOR PCB

- △ THIS DIMENSION IS MEASURED FROM LOWEST SOLDERTAIL TO HIGHEST SOLDERTAIL ALL SOLDERTAILS TO BE BELOW DATUM V
- △ DISTANCE OF SOLDERTAIL 1~24 TO DATUM V
- 3. WHEN MOUNTING, THICKNESS OF SOLDER PASTE: 0.15mm MIN
- △ BLISTER = ANTISTATIC, RESISTANCE 100GΩ MAX REEL = SAME AS BLISTER BLISTER TAPE = SAME AS BLISTER
- B2 5. MATING PLUG PART NUMBER
TE KEYING 1: 1717112-1
SWS TH24MB-X: 6098-7060
SWS TH24MGY-X: 6098-7061
- B2 6. RECOMMENDED AREA FOR CONNECTOR VACUUM PICK UP
- B2 7. HANDLING THIS PART SHOULD FOLLOW INSTRUCTION SHEET: 411-51005

PACKAGING	KEYING	MATERIAL	PLATING	MATERIAL	PLATING	MATERIAL	PLATING	COLOR	PART NUMBER
PAPER BOX	ANTISTATIC TAPE & REEL	TE KEY 1						BLACK	2237067-5
	NON-ANTISTATIC TAPE & REEL	SWS TH24MB-X	BRASS	POST TIN OVER Ni	BRASS	POST TIN OVER Ni	PPS	NATURAL	2237067-4
		SWS TH24MGY-X						GREY	2237067-3
		TE KEY 1						BLUE	2237067-2
	TE KEY 1						BLACK	2237067-1	

THIS DRAWING IS A CONTROLLED DOCUMENT.

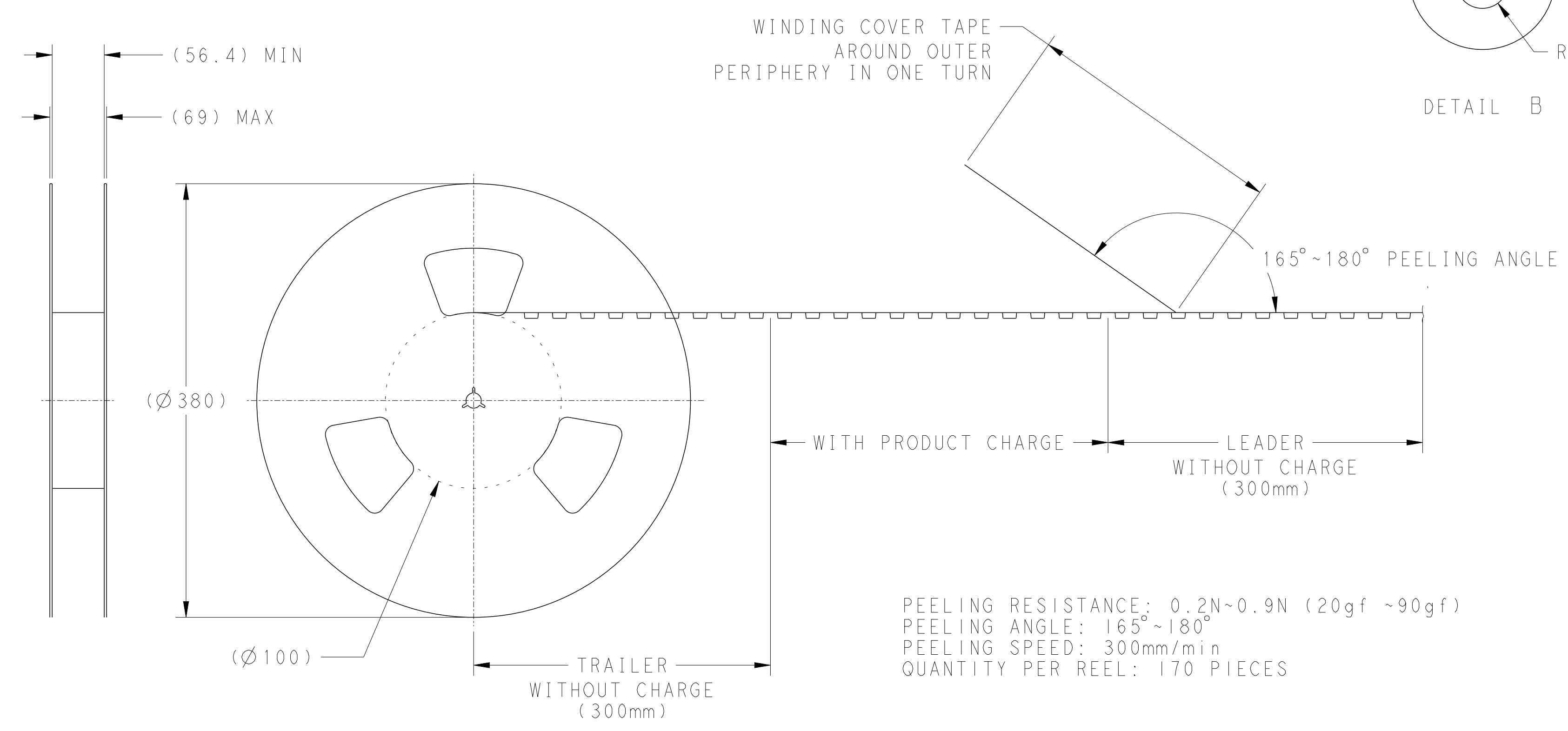
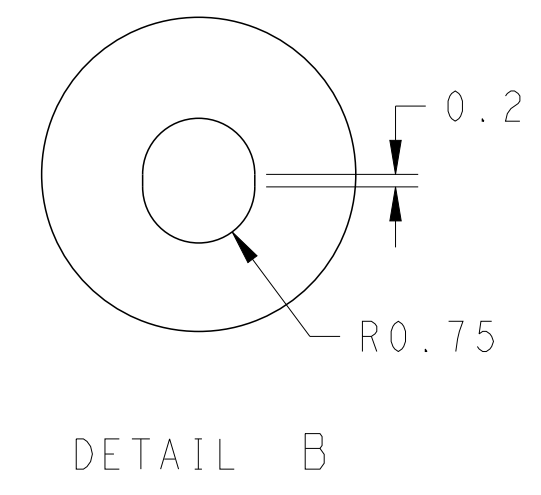
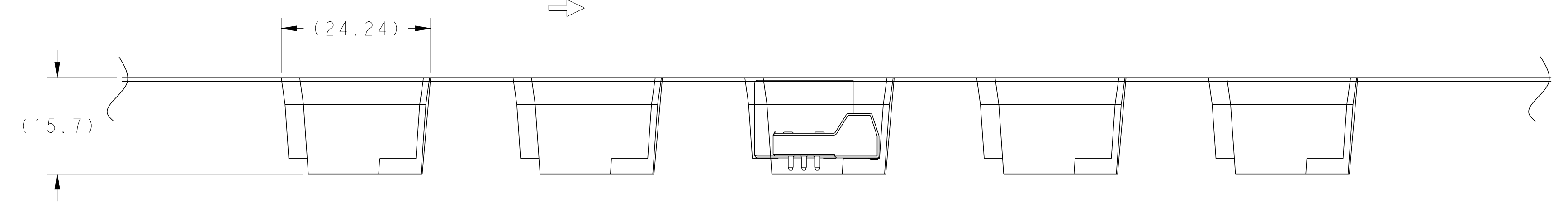
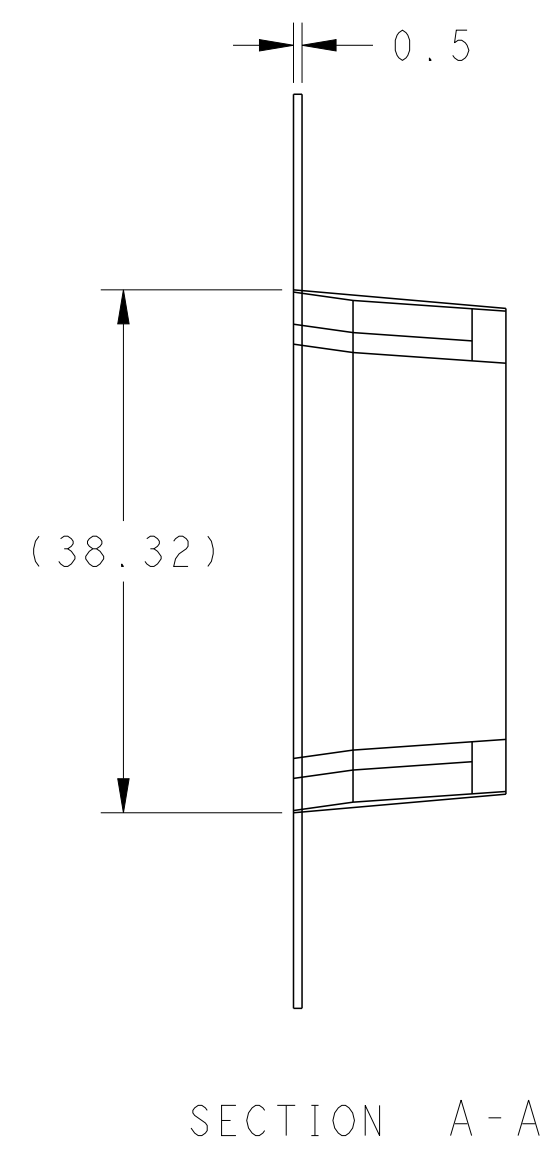
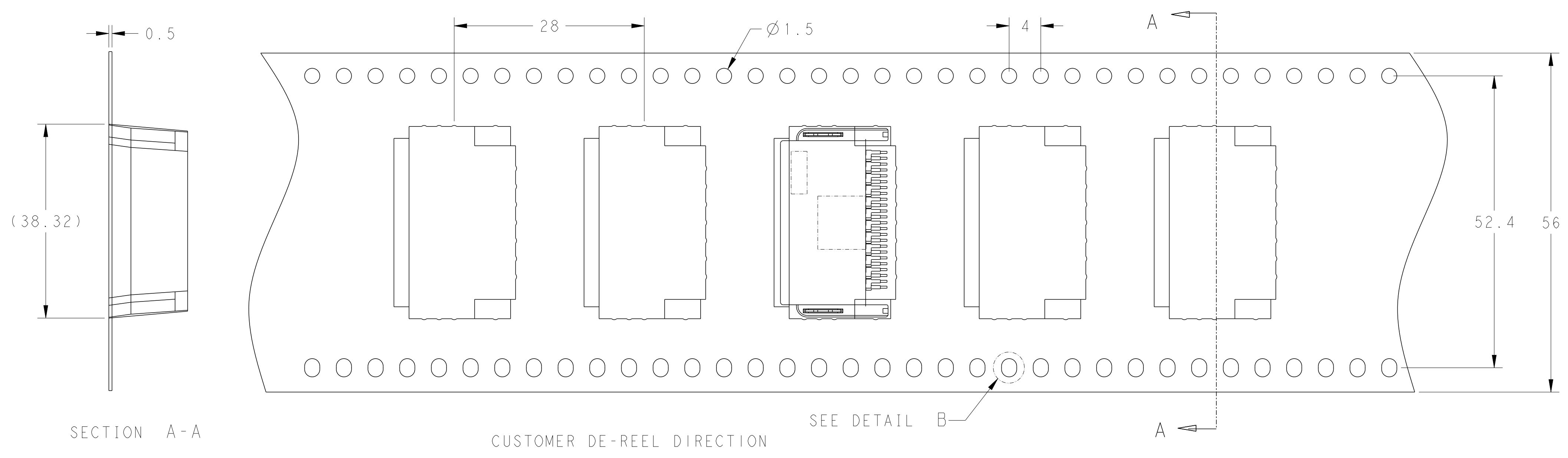
APPROVED: JASON CHOW, 21JUL2016
CHKD: JIL LIM, 21JUL2016
APVD: SF LEONG, 21JUL2016

NAME: 24 POSITION CAP ASSEMBLY
PRODUCT SPEC: 108-51110
APPLICATION SPEC: 108-51110

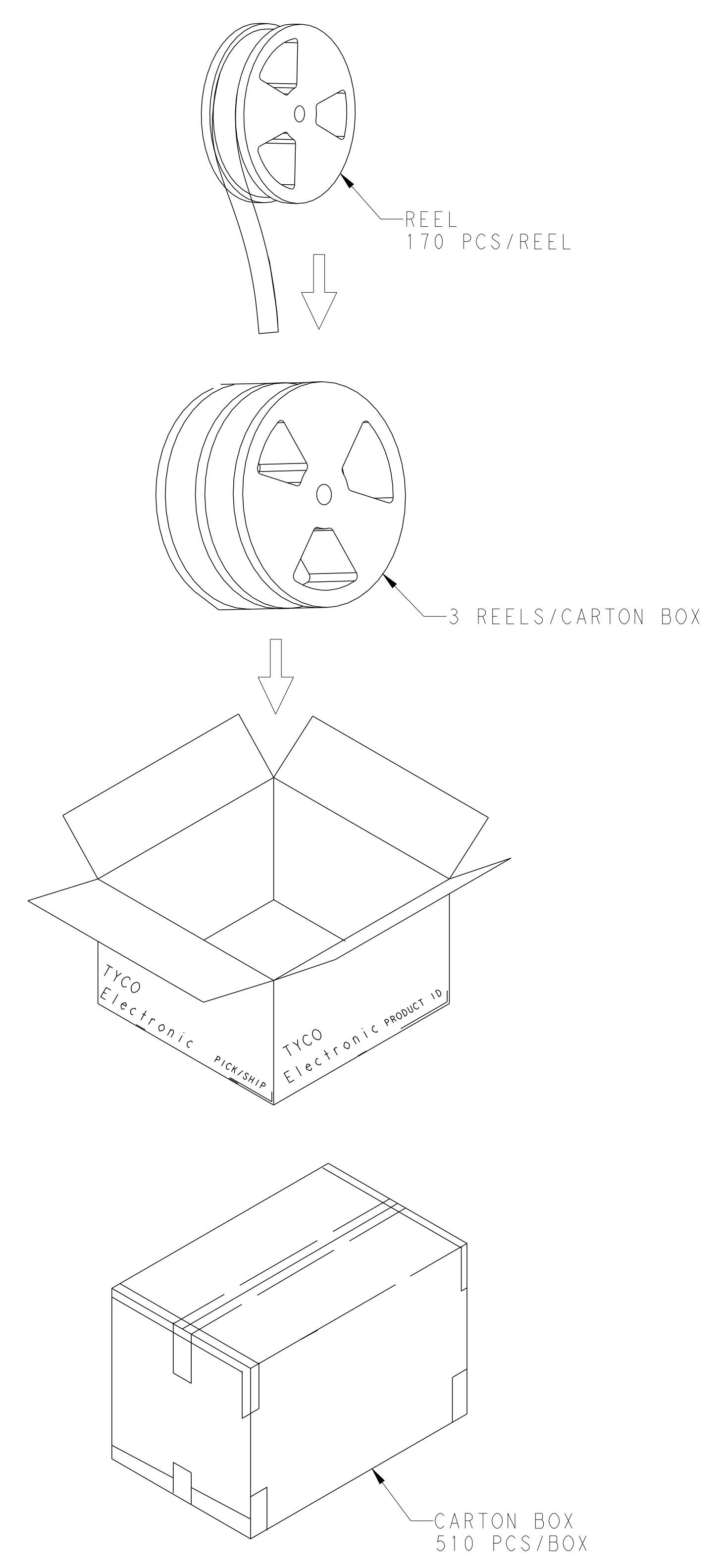
SIZE: A1 CAGE CODE: 00779 DRAWING NO: 2237067
WEIGHT: 5.5g
CUSTOMER DRAWING

SCALE: 5:1 SHEET 1 OF 2 REV: B2

REVISIONS				
P.	LTM	DESCRIPTION	DATE	APVD
-	-	SEE SHEET 1	-	-



PEELING RESISTANCE: 0.2N~0.9N (20gf ~90gf)
 PEELING ANGLE: 165°~180°
 PEELING SPEED: 300mm/min
 QUANTITY PER REEL: 170 PIECES



THIS DRAWING IS A CONTROLLED DOCUMENT.		OWN: JASON CHOW 21JUL2016	TE Connectivity NAME: 24 POSITION CAP ASSEMBLY	
DIMENSIONS:		CHK: JI LIM 21JUL2016		
mm	TOLERANCES UNLESS OTHERWISE SPECIFIED:	APVD: SE LEONG 21JUL2016	PRODUCT SPEC	SIZE: CAGE CODE: DRAWING NO:
	0 PLC ± 0.3	PRODUCT SPEC	APPLICATION SPEC	RESTRICTED TO:
	1 PLC ± 0.3	WEIGHT		A100779C=2237067
	2 PLC ± 0.3	CUSTOMER DRAWING	SCALE: NTS	SHEET 2 OF 2 REV: B2
	3 PLC ± 0.3			
	4 PLC ± 0.3			
	ANGLES $\pm 0.3^\circ$			
	FINISH $\pm 0.3^\circ$			