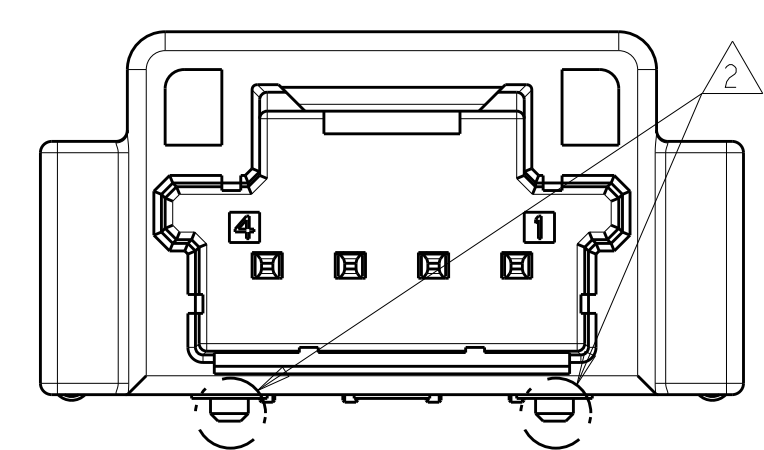
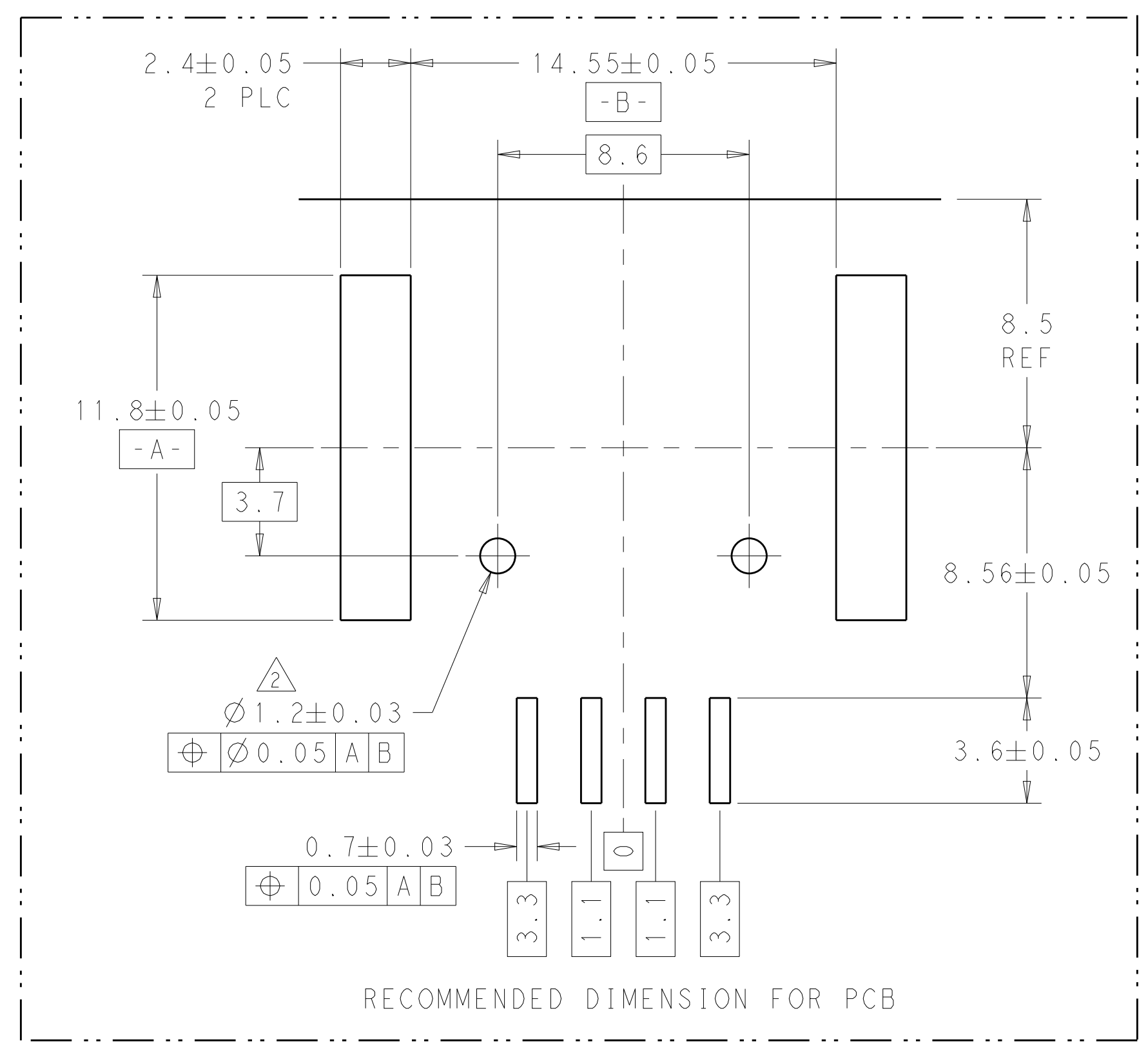
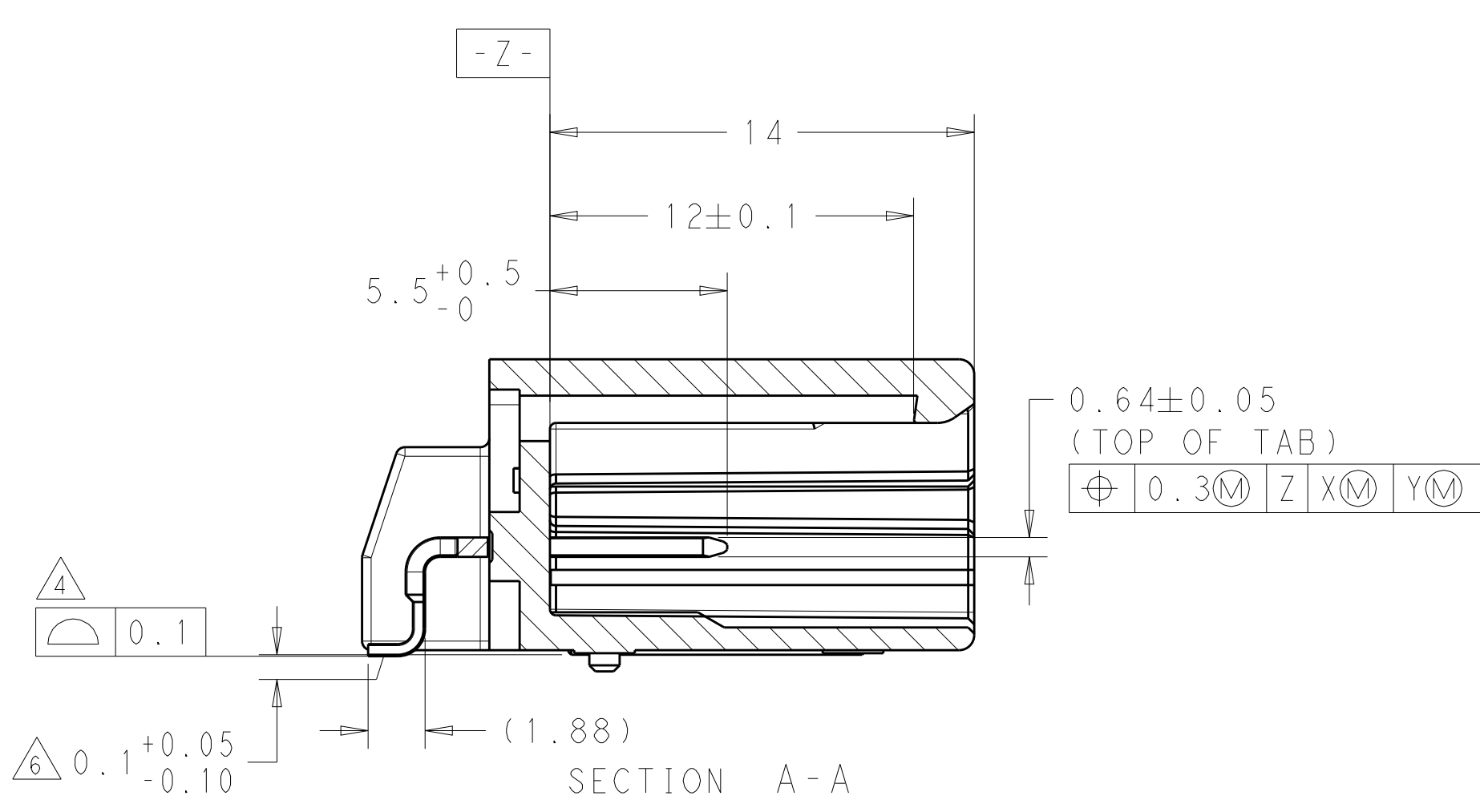
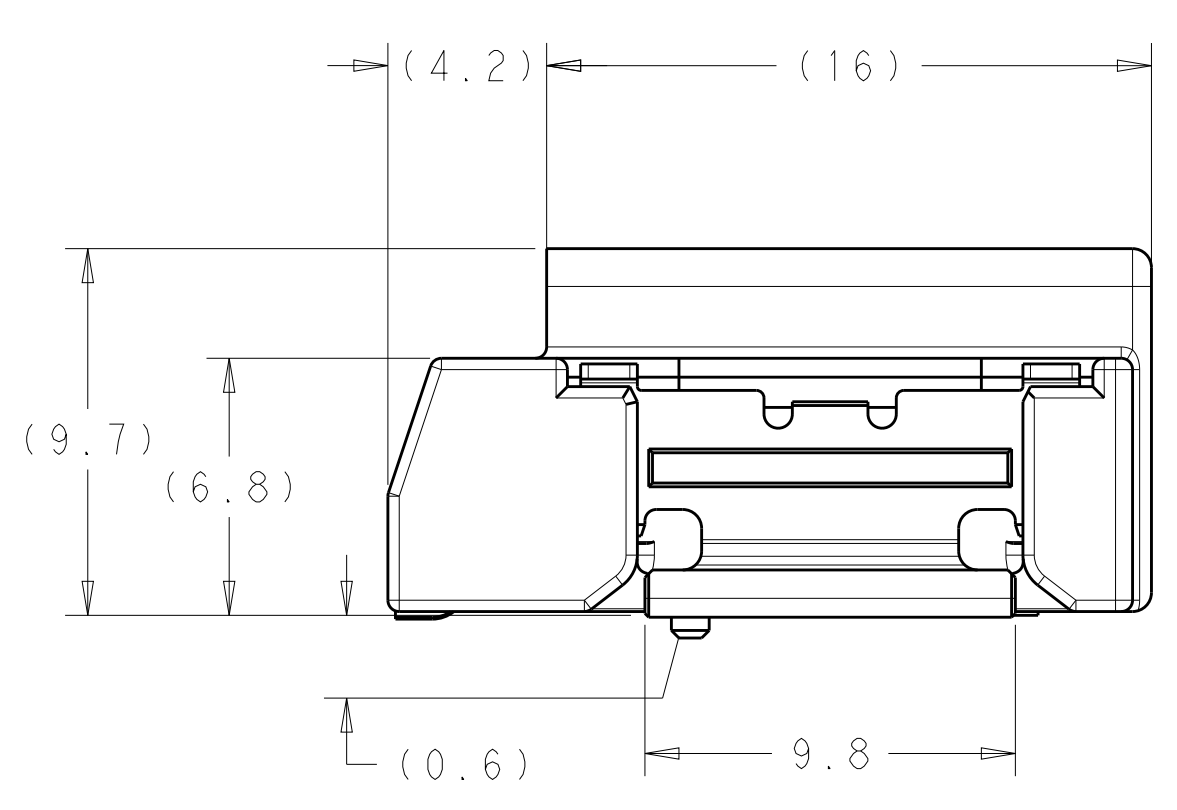
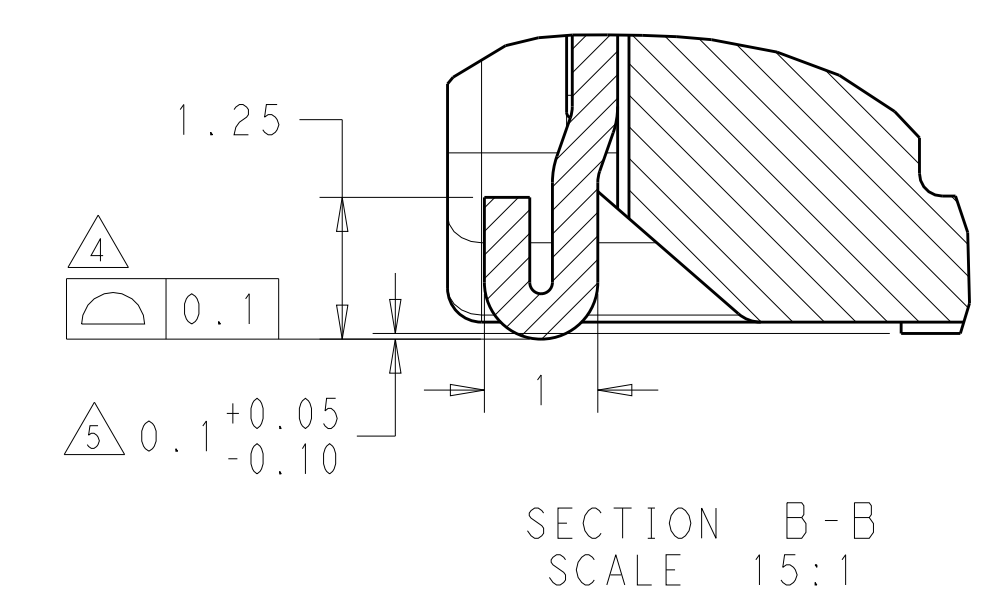
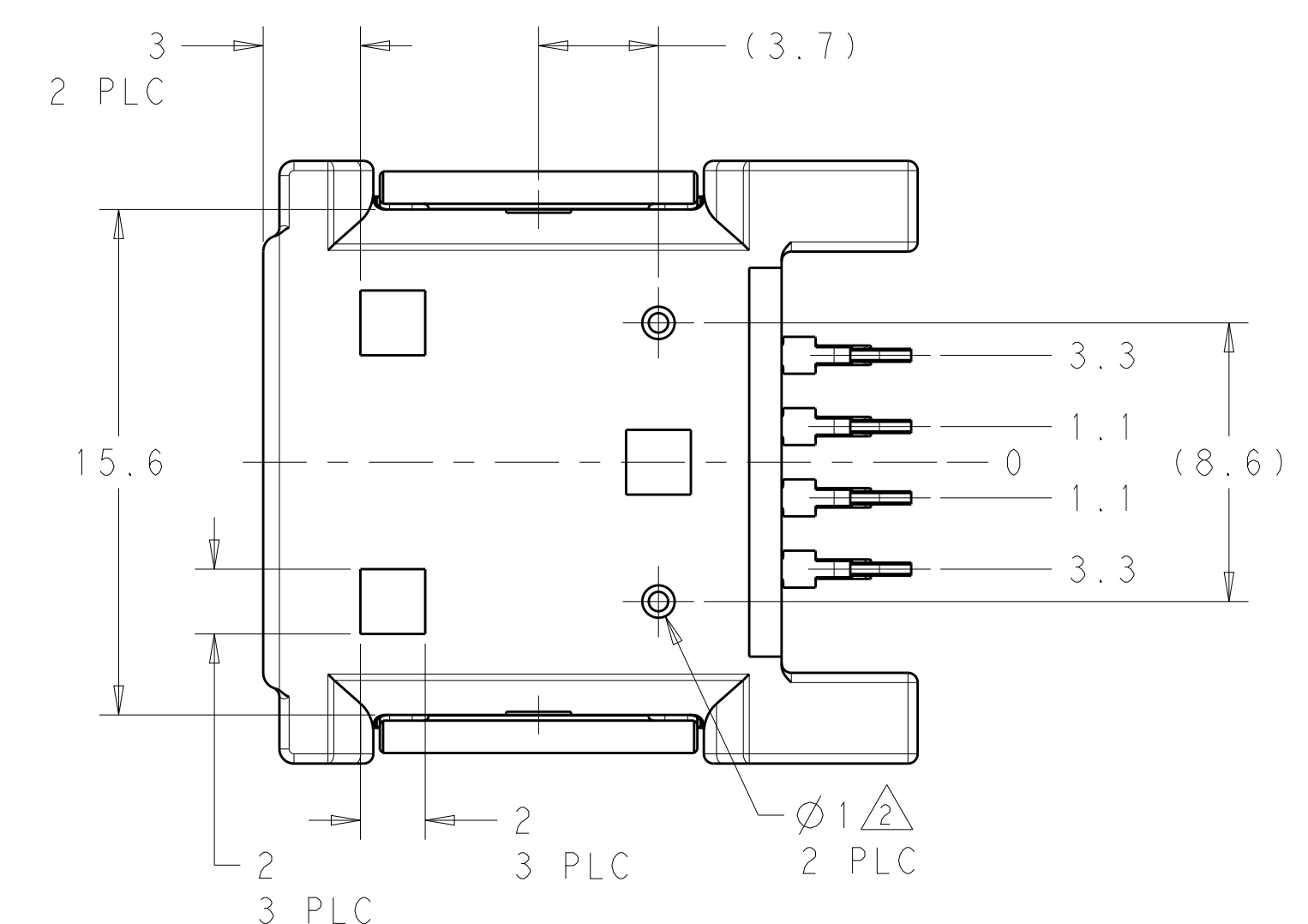
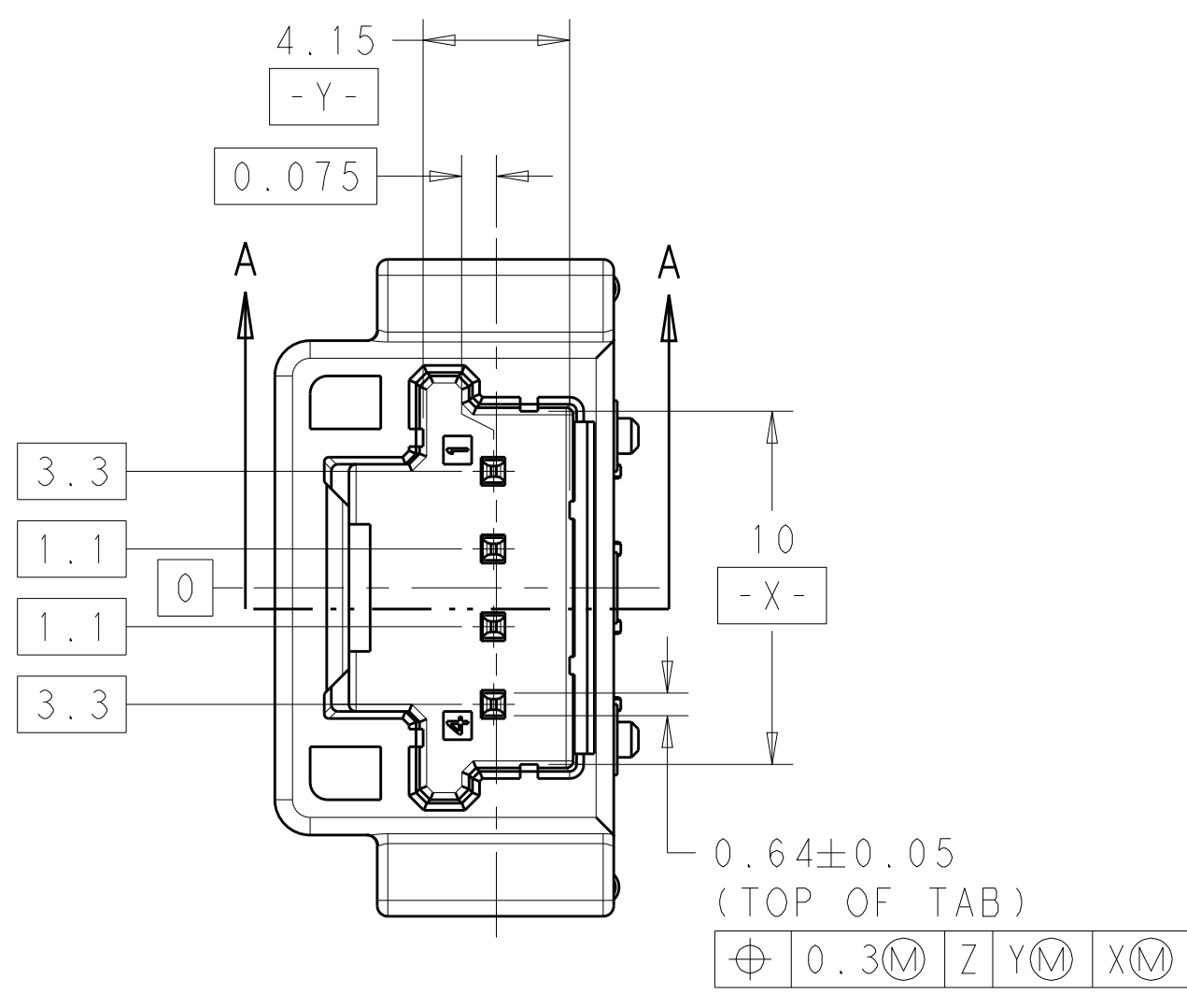
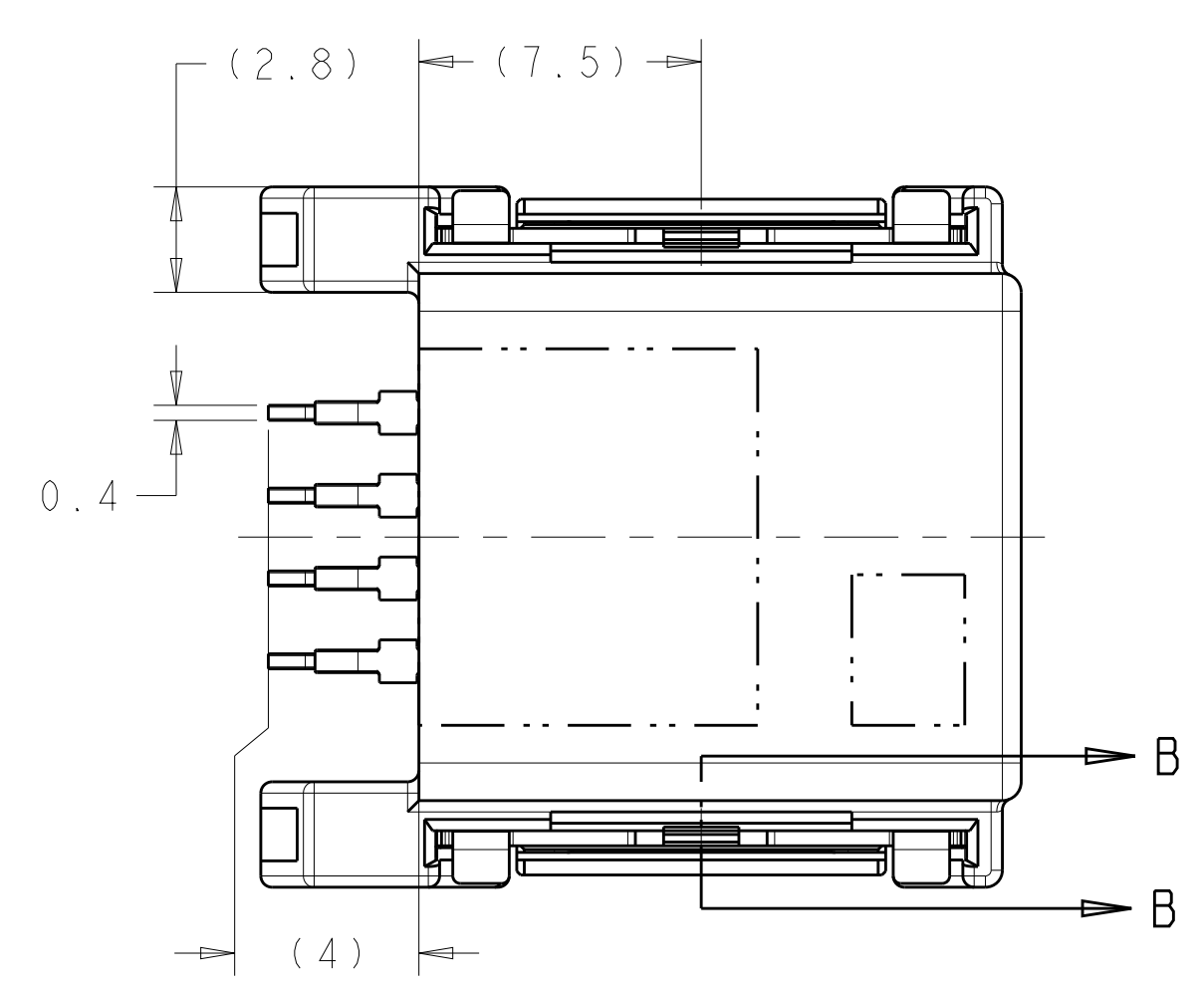
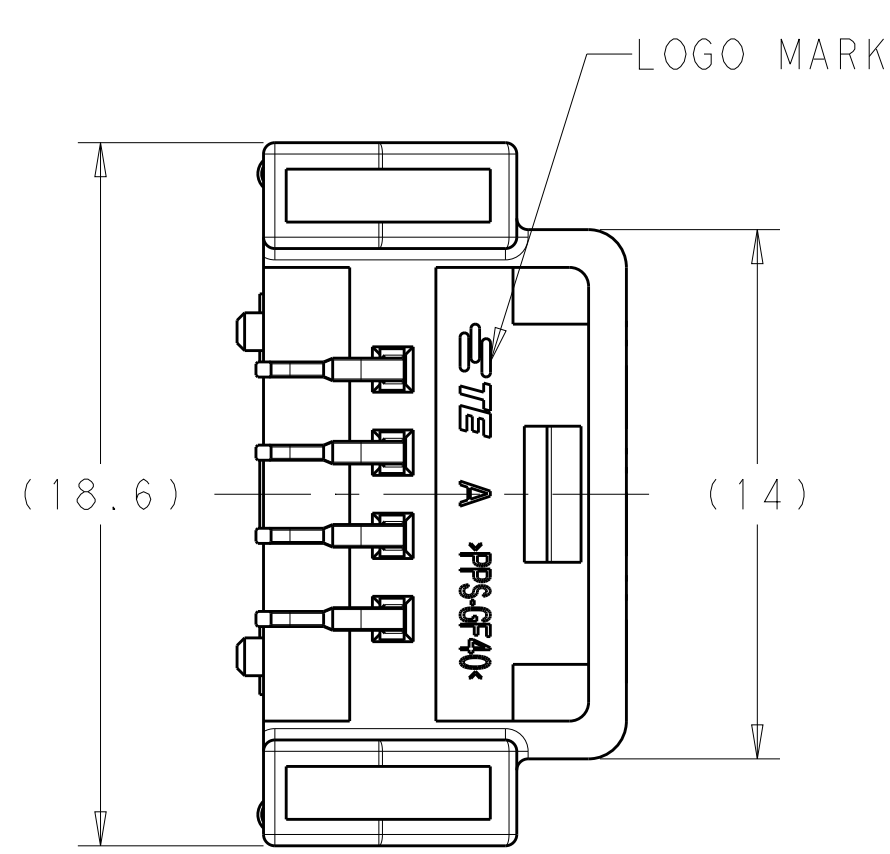
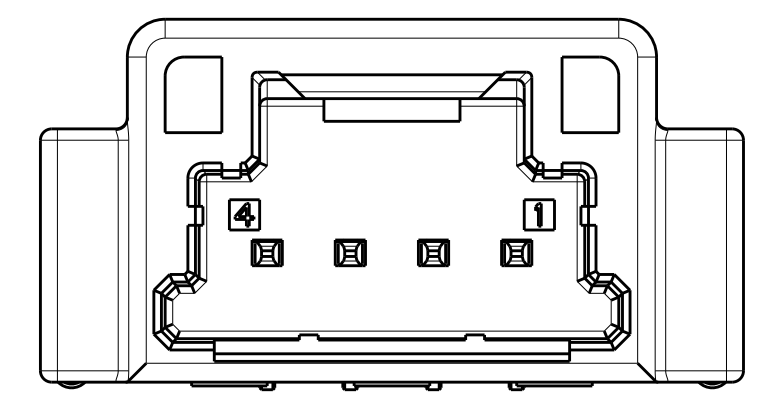


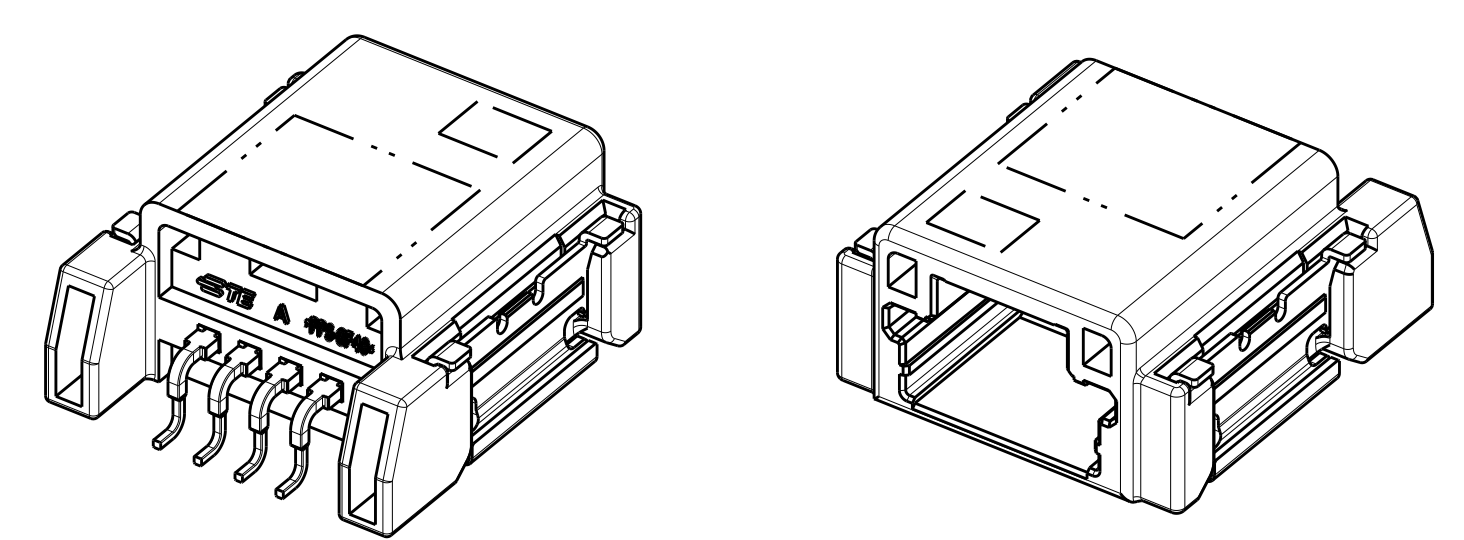
REVISIONS				
P.	LTN	DESCRIPTION	DATE	APVD
A		REVISED ECR-18-004559	16 JUL 2018	JC LSF



PN: 2237122-1  
KEYING 1



PN: 2237122-2  
KEYING 2



SCALE 3:1

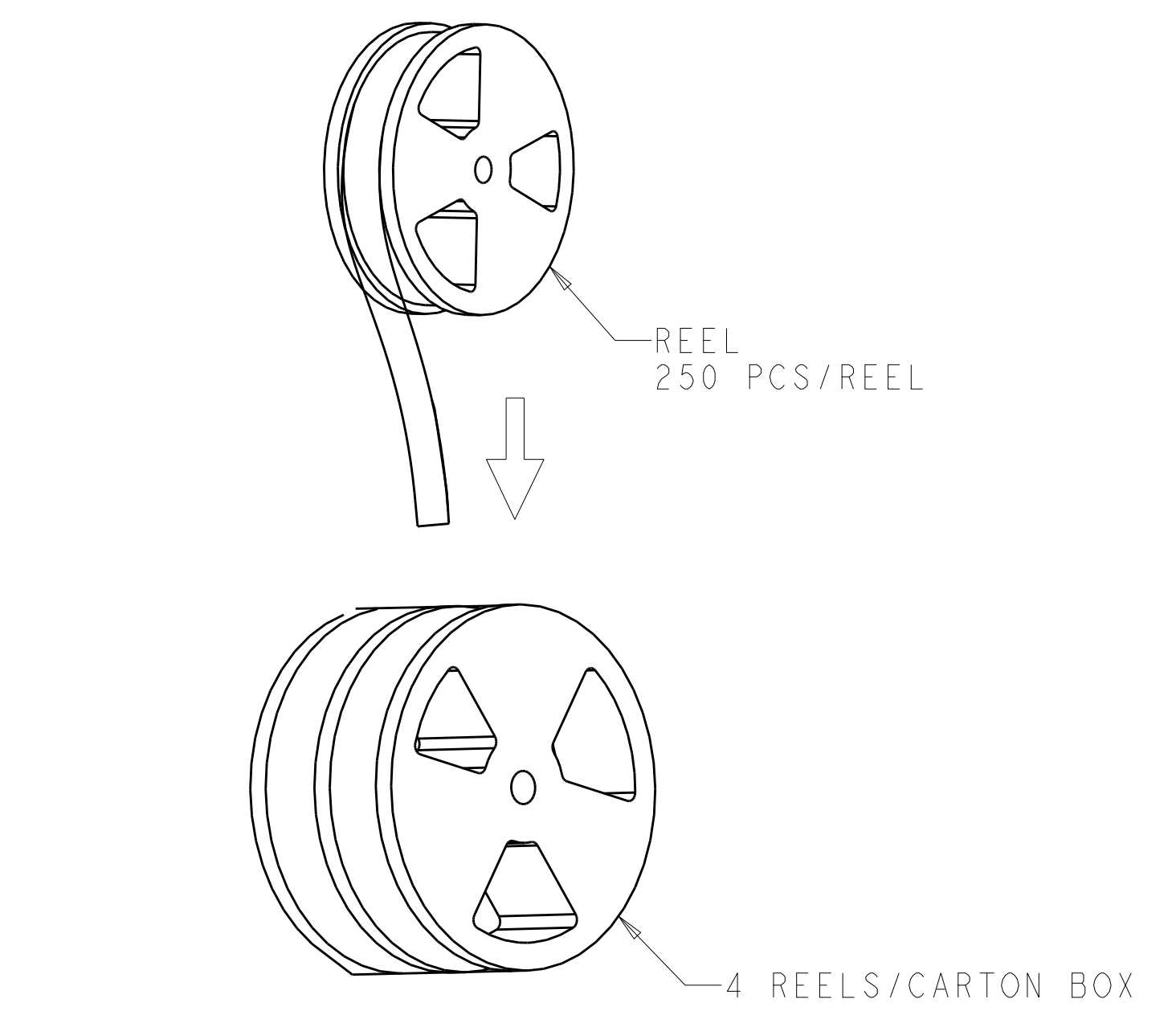
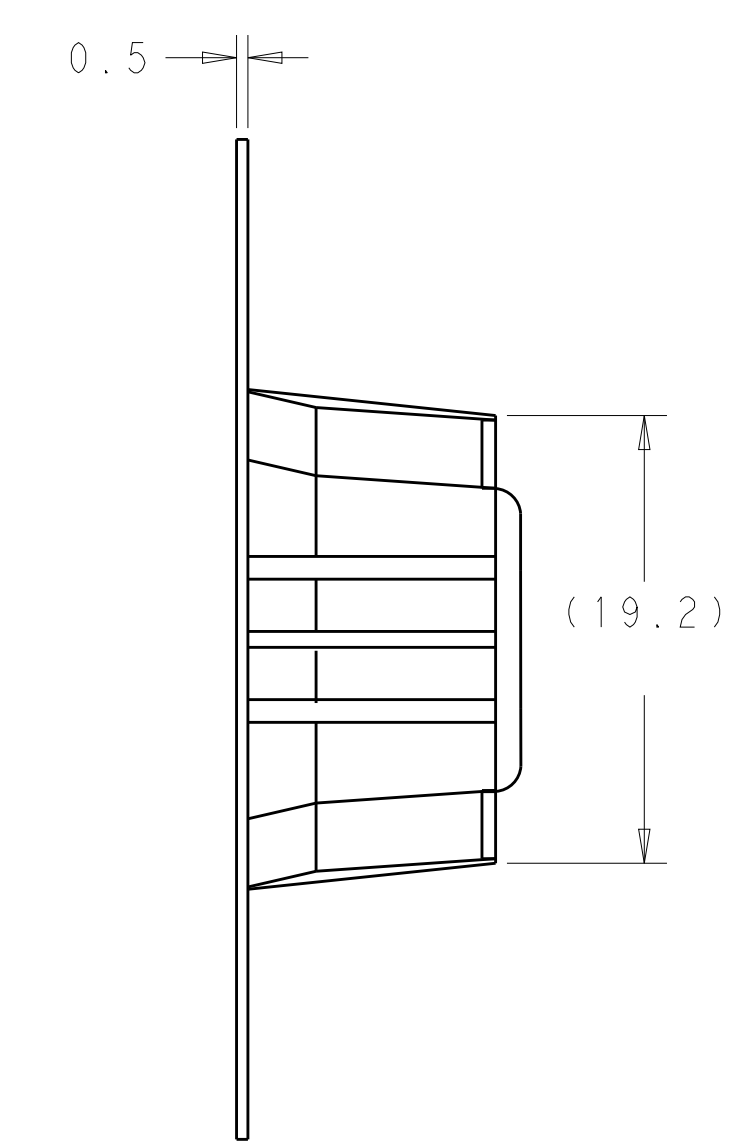
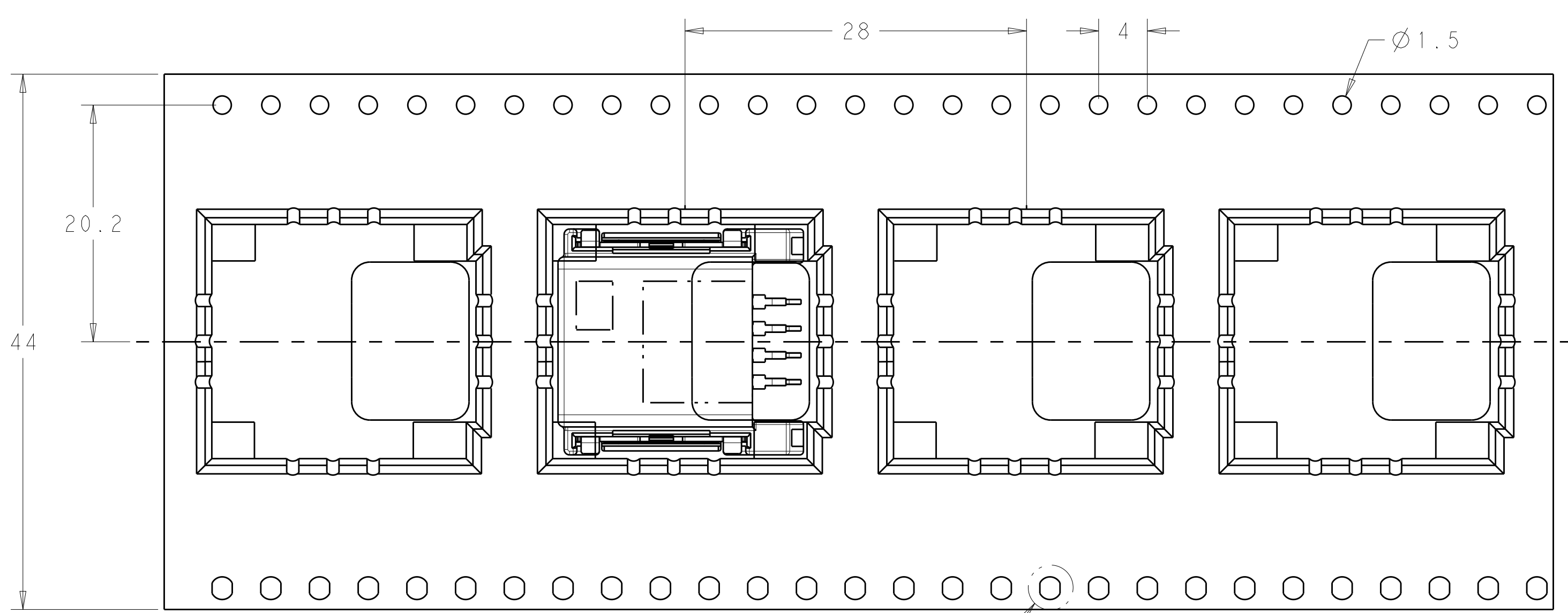
- NOTE:
- 1. PACKAGING : 15" TAPE & REEL
  - 2 PN: 2237122-2 DO NOT HAVE 2 POST
  - 3. PART IS EU ROHS COMPLIANT
  - 4 CO-PLANARITY TO INCLUDE 4 SOLDER TAIL AND 2 SOLDER PEG
  - 5 MEASURED FROM HOUSING DATUM PAD
  - 6 MEASURED FROM SOLDER PEG

PN: 2237122-1 AS SHOWN

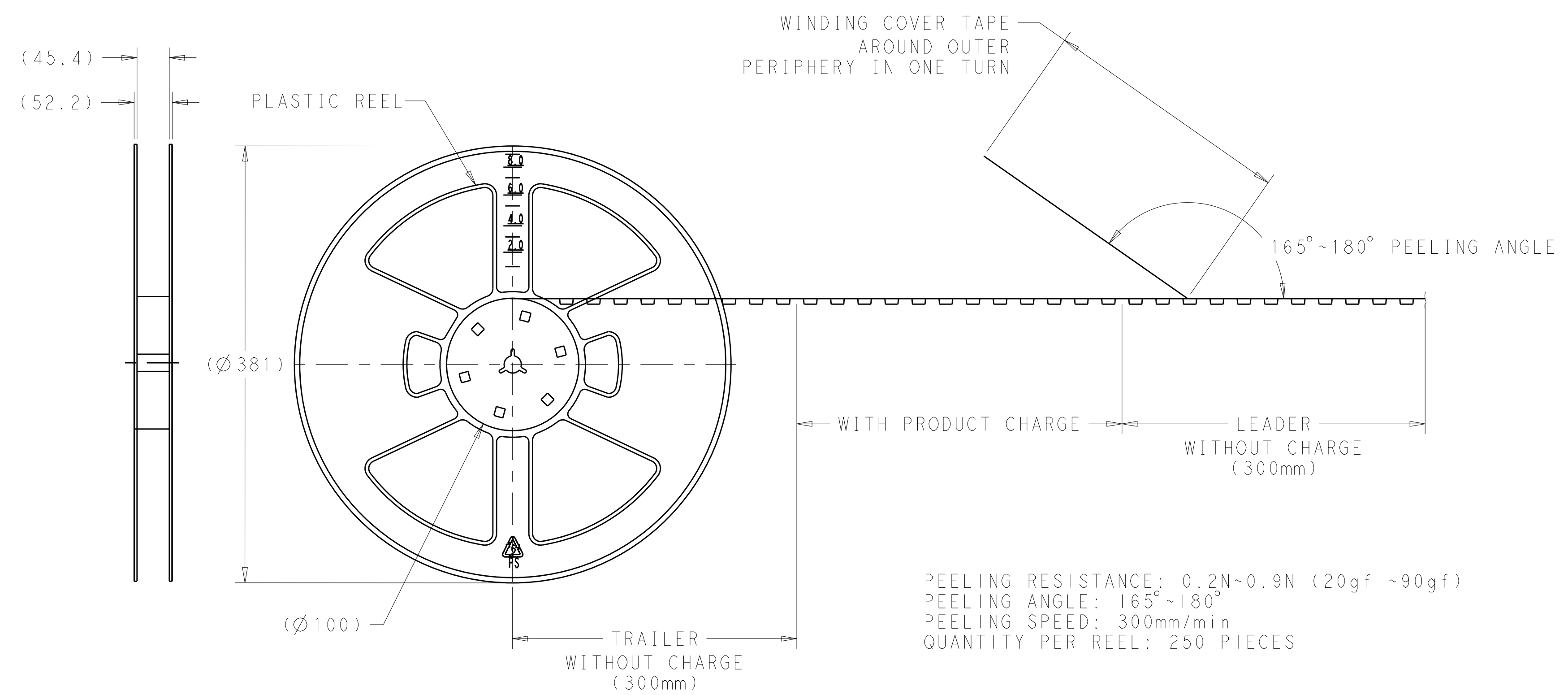
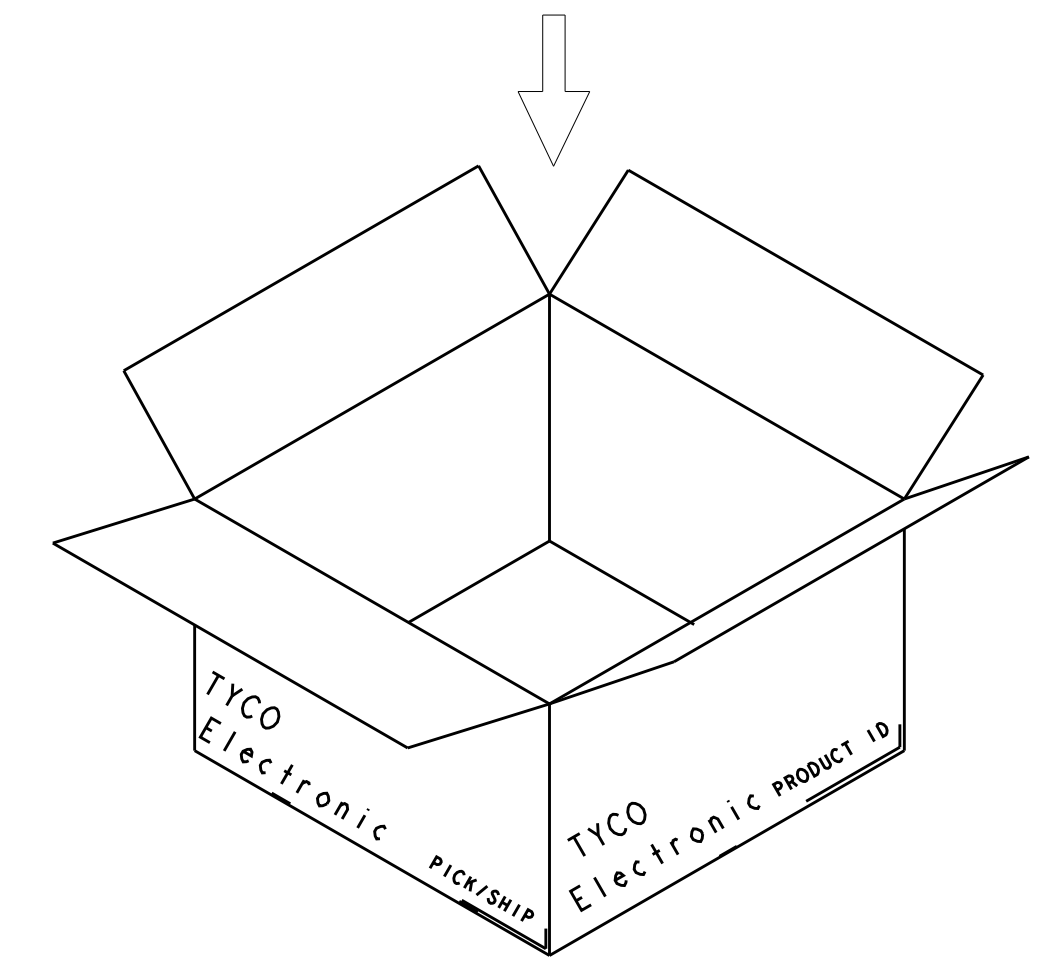
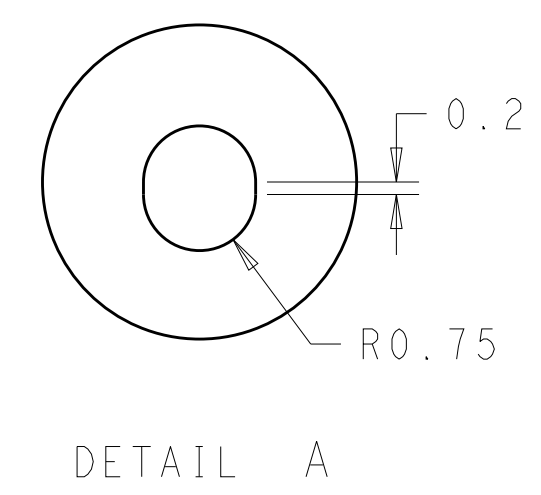
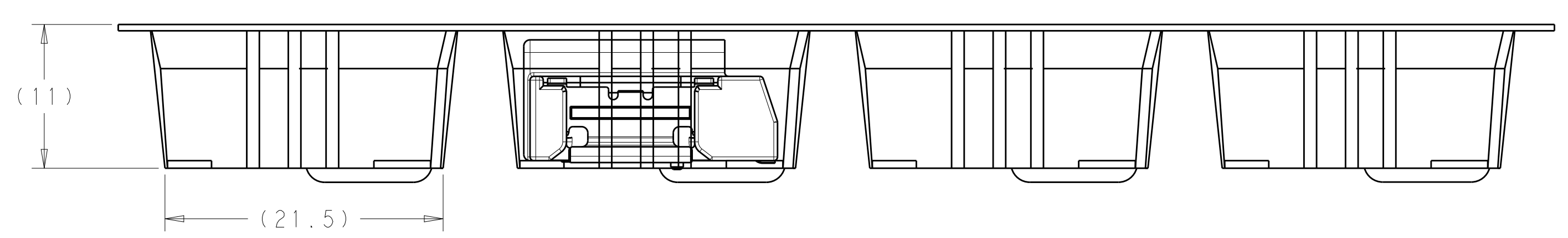
KEYING	KEYING 2	KEYING 1	KEYING	POST	MATERIAL	PLATING	MATERIAL	PLATING	MATERIAL	COLOR	PART NUMBER
	NONE	-			BRASS	POST TIN OVER NI	BRASS	POST TIN OVER NI	PPS	GREY	2237122-2
					BRASS	POST TIN OVER NI	BRASS	POST TIN OVER NI	PPS	NATURAL	2237122-1

THIS DRAWING IS A CONTROLLED DOCUMENT.		OWN: JASON CHOW 20 JAN 2017	TE Connectivity
DIMENSIONS: mm		CHK: JIL LIM 20 JAN 2017	
TOLERANCES UNLESS OTHERWISE SPECIFIED:		APVD: SE LEONG 20 JAN 2017	NAME: 4P 025 CAP ASSEMBLY, H-TYPE SMT WITH J-PEG PRODUCT SPEC: - APPLICATION SPEC: - ANGLE: 45°
0 PLC ±0.3 1 PLC ±0.3 2 PLC ±0.3 3 PLC ±0.3 4 PLC ±0.3 ANGLES ±0.3		WEIGHT: 3.0g MATERIAL: SEE TABLE FINISH: SEE TABLE	
MATERIAL: SEE TABLE		SIZE: A100779 CAGE CODE: - DRAWING NO: C=2237122 CUSTOMER DRAWING	RESTRICTED TO: - SCALE: 5:1 SHEET: 1 OF 2 REV: A

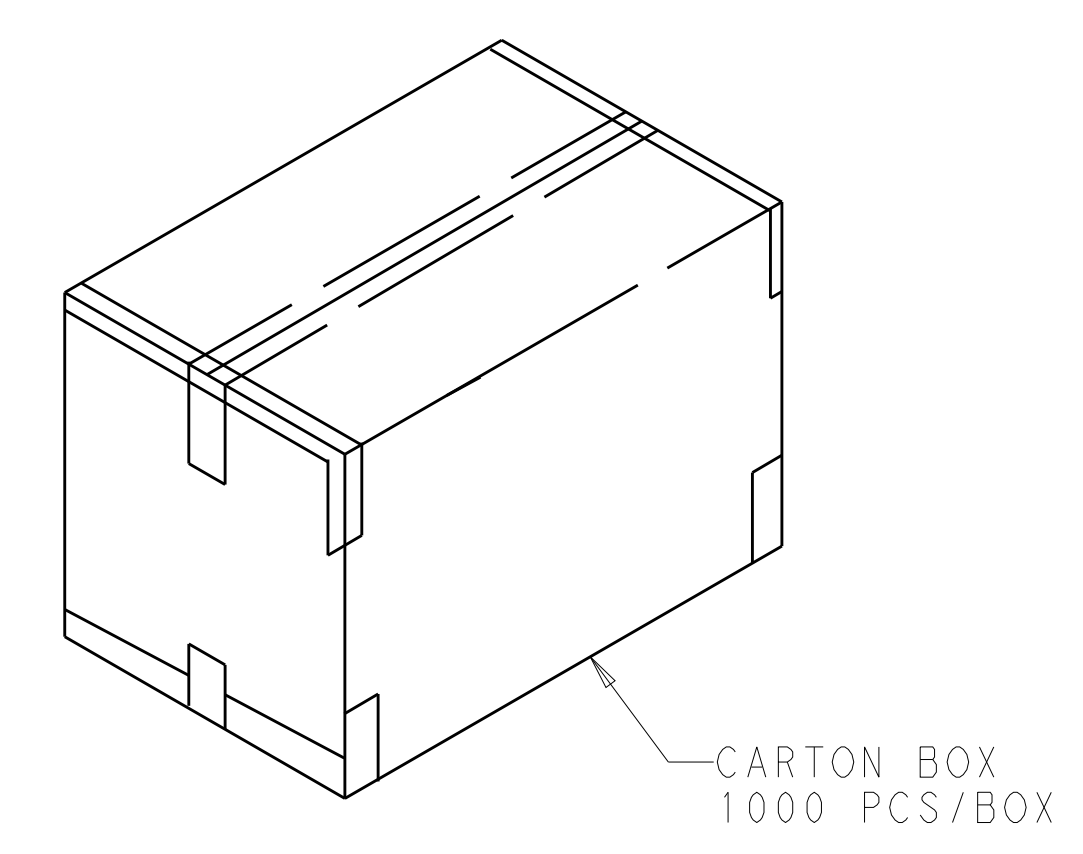
REVISIONS				
REV	DATE	DESCRIPTION	BY	APP'D
-	-	SEE SHEET 1	-	-



SEE DETAIL A  
CUSTOMER DE-REEL DIRECTION  
➔



PEELING RESISTANCE: 0.2N~0.9N (20gf ~90gf)  
PEELING ANGLE: 165°~180°  
PEELING SPEED: 300mm/min  
QUANTITY PER REEL: 250 PIECES



THIS DRAWING IS A CONTROLLED DOCUMENT.		OWN: JASON CHOW 20JAN2017	TE Connectivity
DIMENSIONS: mm		CHK: JI LIM 20JAN2017	
TOLERANCES UNLESS OTHERWISE SPECIFIED:		APVD: SE LEONG 20JAN2017	NAME: 4P-025 CAP ASSEMBLY, H-TYPE SMT WITH J-PEG
0 PLC	±0.3	PRODUCT SPEC	SIZE: CAGE CODE DRAWING NO
1 PLC	±0.3	APPLICATION SPEC	RESTRICTED TO
2 PLC	±0.3		A100779C=2237122
3 PLC	±0.3		CUSTOMER DRAWING
4 PLC	±0.3		SCALE: NTS SHEET 2 OF 2 REV A
ANGLES	±0.3°		
MATERIAL	FINISH	WEIGHT	