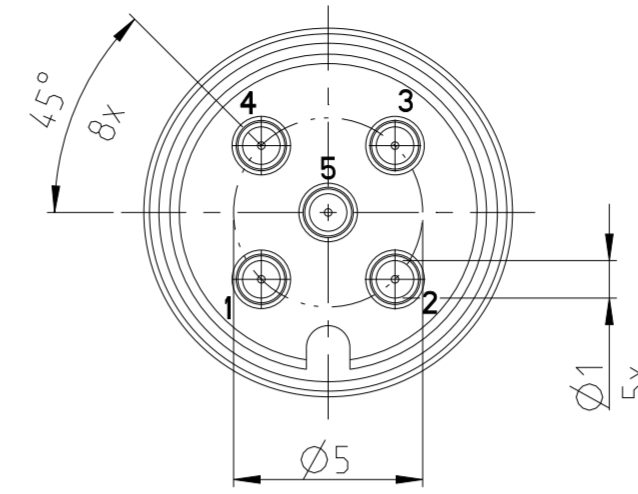
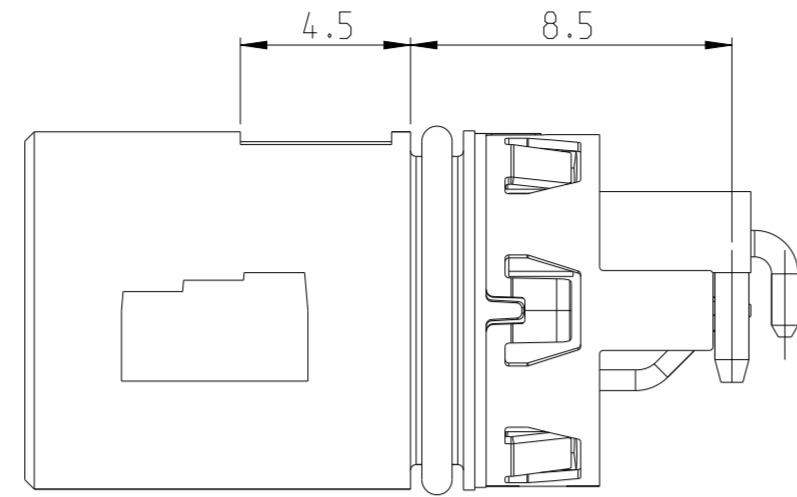
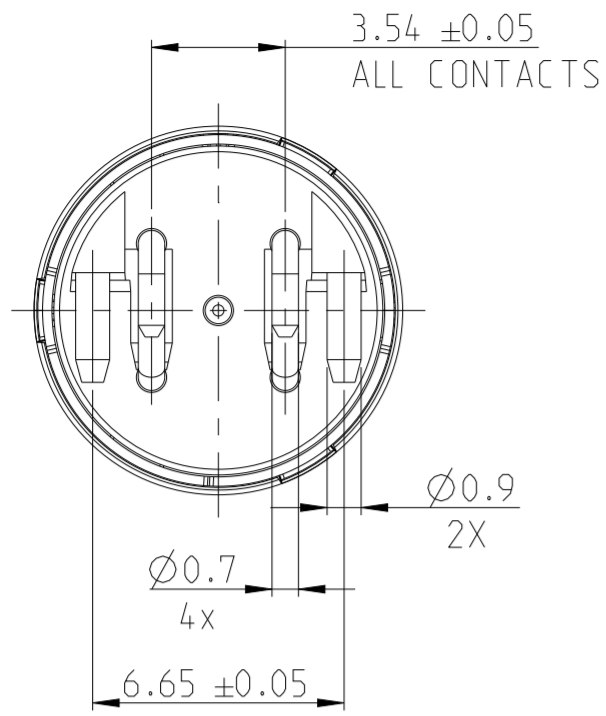
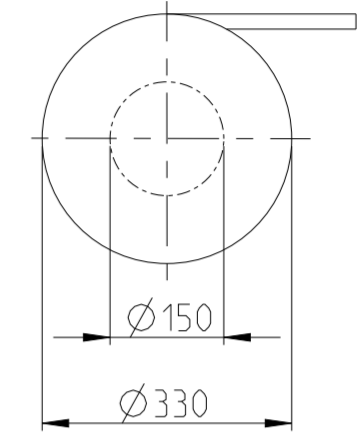


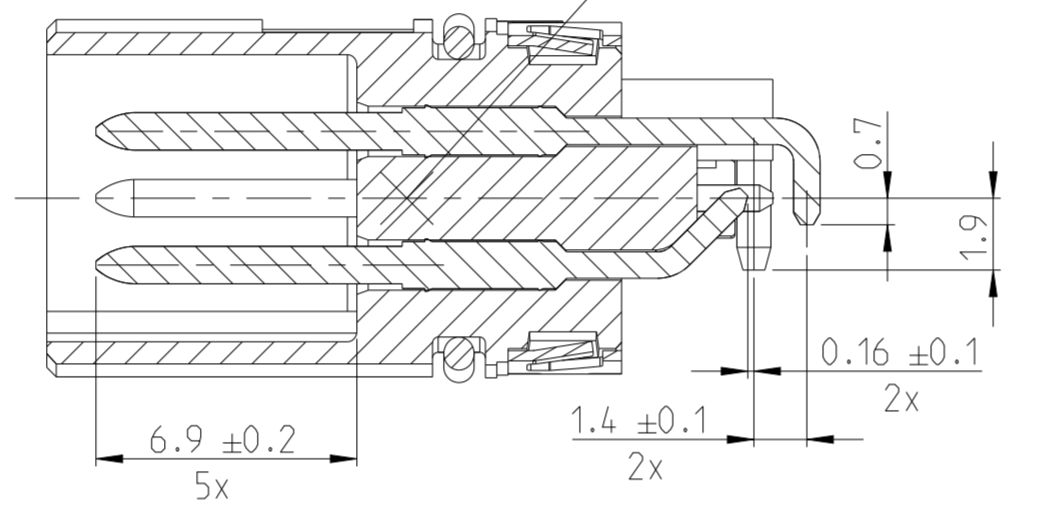
REVISIONS					
P	LTR	DESCRIPTION	DATE	DWN	APVD
A1		NEW DRAWING	03JUL2023	ASB	JDB
E1		DRAWING RE-CREATED IN CREO	02AUG2023	ASB	JDB



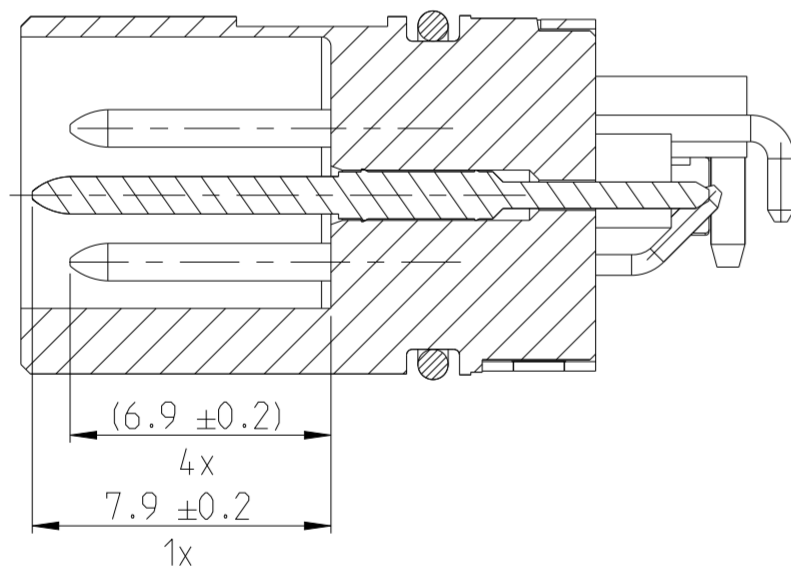
TAPE ON REEL PACKAGING ACCORDING TO DIN IEC 60286-3
PACKAGING UNIT: 250 PCS



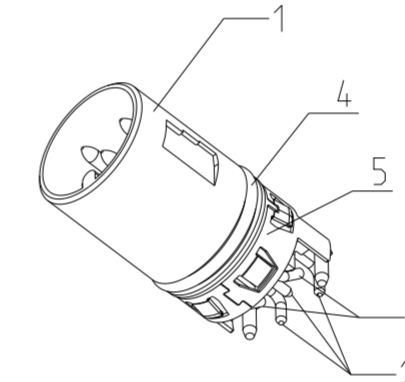
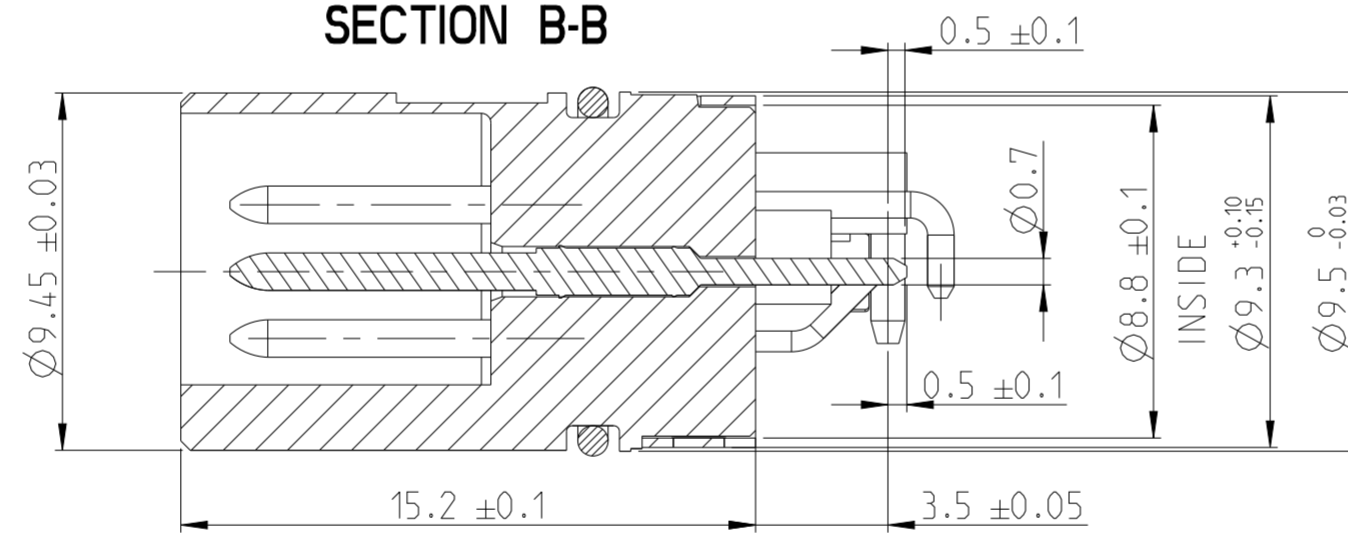
SECTION A-A CENTER OF GRAVITY



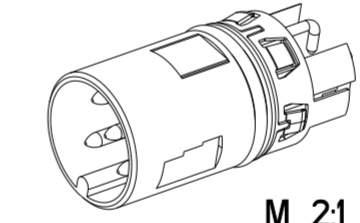
SECTION C-C
VERSION: CONTACT 5 EARLY MATE



SECTION B-B



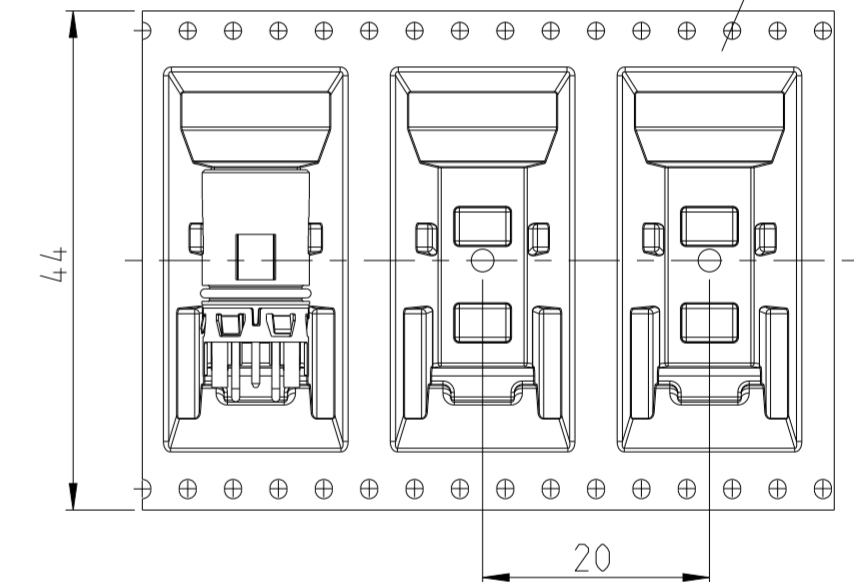
INDICATED PART-NO. 235165-E



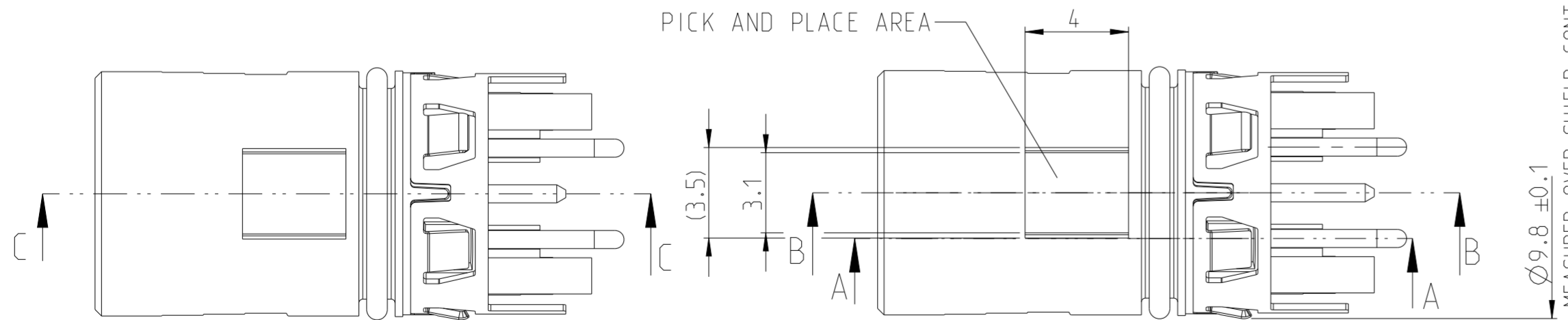
M 2:1
SCALE 2:0

CONSIDER MOUNTING POSITION
PIN 1

REEL OFF DIRECTION



PICK AND PLACE AREA



OBSOLETE		OBSOLETE							
1	1	1	1	1	1	-	TAPE AND REEL	6	
-	-	1	1	-	1	-	SHIELD	5	
-	-	-	-	1	1	-	O-RING 7.2x0.8	4	
2	2	2	2	2	2	-	PIN 3,4	3	
3	3	3	3	3	3	-	PIN 1,2,5	2	
1	1	1	1	1	1	-	M12 HOUSING	1	
225251-E	225253-E	225254-E	225256-E	225456-E	235165-E	REV	DESCRIPTION		ITEM NO.
						REV OF EACH ASSY NO. (WHEN BLANK, USE DWG. REV)			
QTY						PARTS LIST			

- 1 CONTACT 5 EARLY MATE (FMLB)
- 2. MATING FACE ACCORDING TO IEC 61076-2-101
- 3. RECOMMENDED DIMENSION FOR INTEGRATION IN HOUSING ACCORDING TO 114-94782
- 4. PCB-LAYOUT PROPOSAL ACCORDING TO DOCUMENT 114-94782

THIS DRAWING IS A CONTROLLED DOCUMENT.

DWN: N. K. NIKHIL 24 APR 2023
CHK: M. SZELAG 26 APR 2023
APVD: J. DE BRUIJN 26 APR 2023

DIMENSIONS: mm

TOLERANCES UNLESS OTHERWISE SPECIFIED: ISO 8015

0 PLC ±
1 PLC ±
2 PLC ±
3 PLC ±
4 PLC ±
ANGLES ±

MATERIAL: - FINISH: -

PRODUCT SPEC: 108-94897
APPLICATION SPEC: 114-94782
WEIGHT: -

CUSTOMER DRAWING

SCALE: 5:1 SHEET: 1 OF 1 REV: E1

TE Connectivity

M12 MALE, A CODE, RA, 5P THR REAR MOUNT

SIZE: A2 CAGE CODE: 00779 DRAWING NO: C-225251-E RESTRICTED TO: -