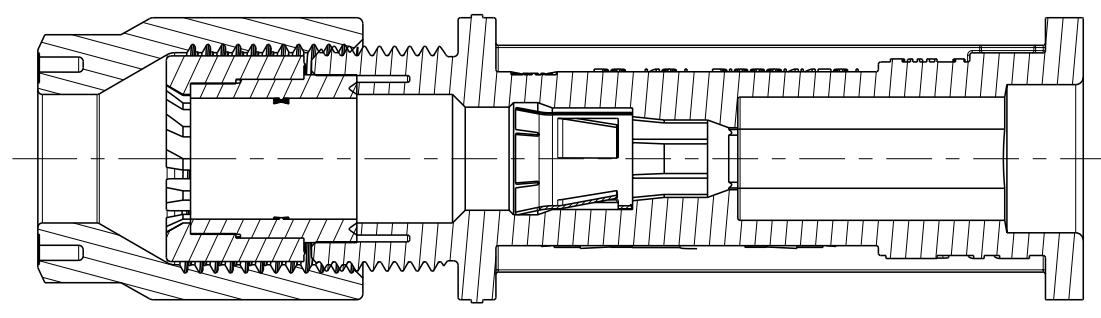
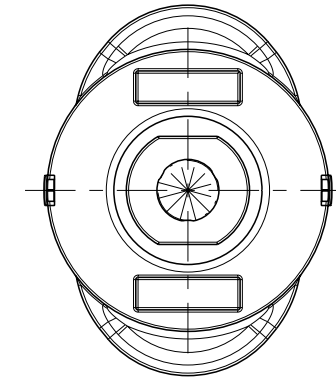
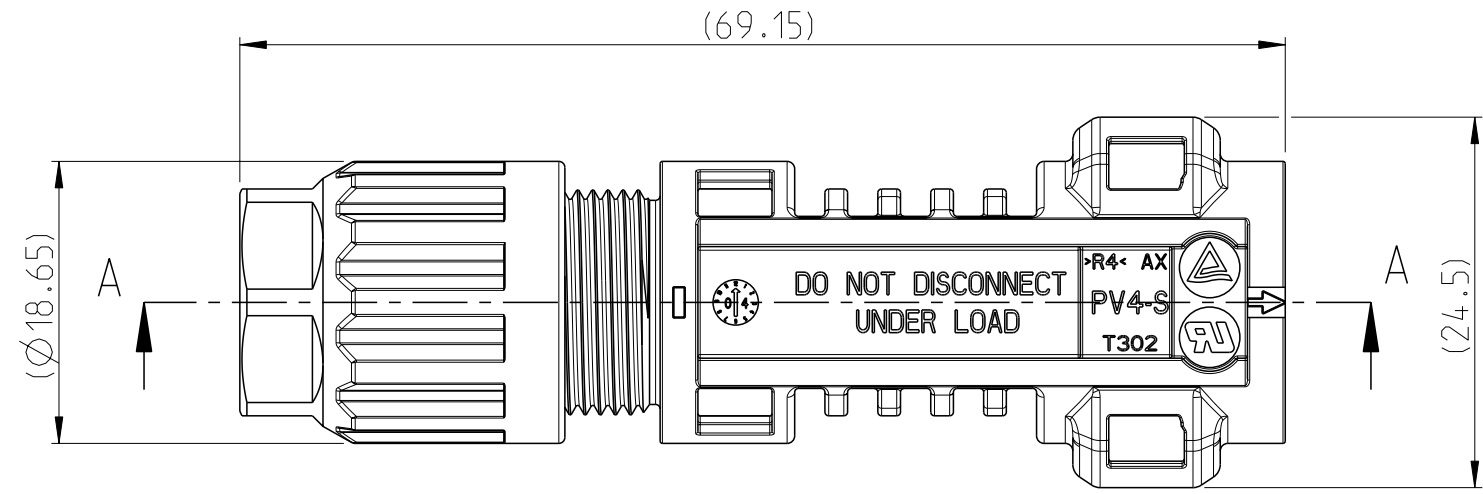
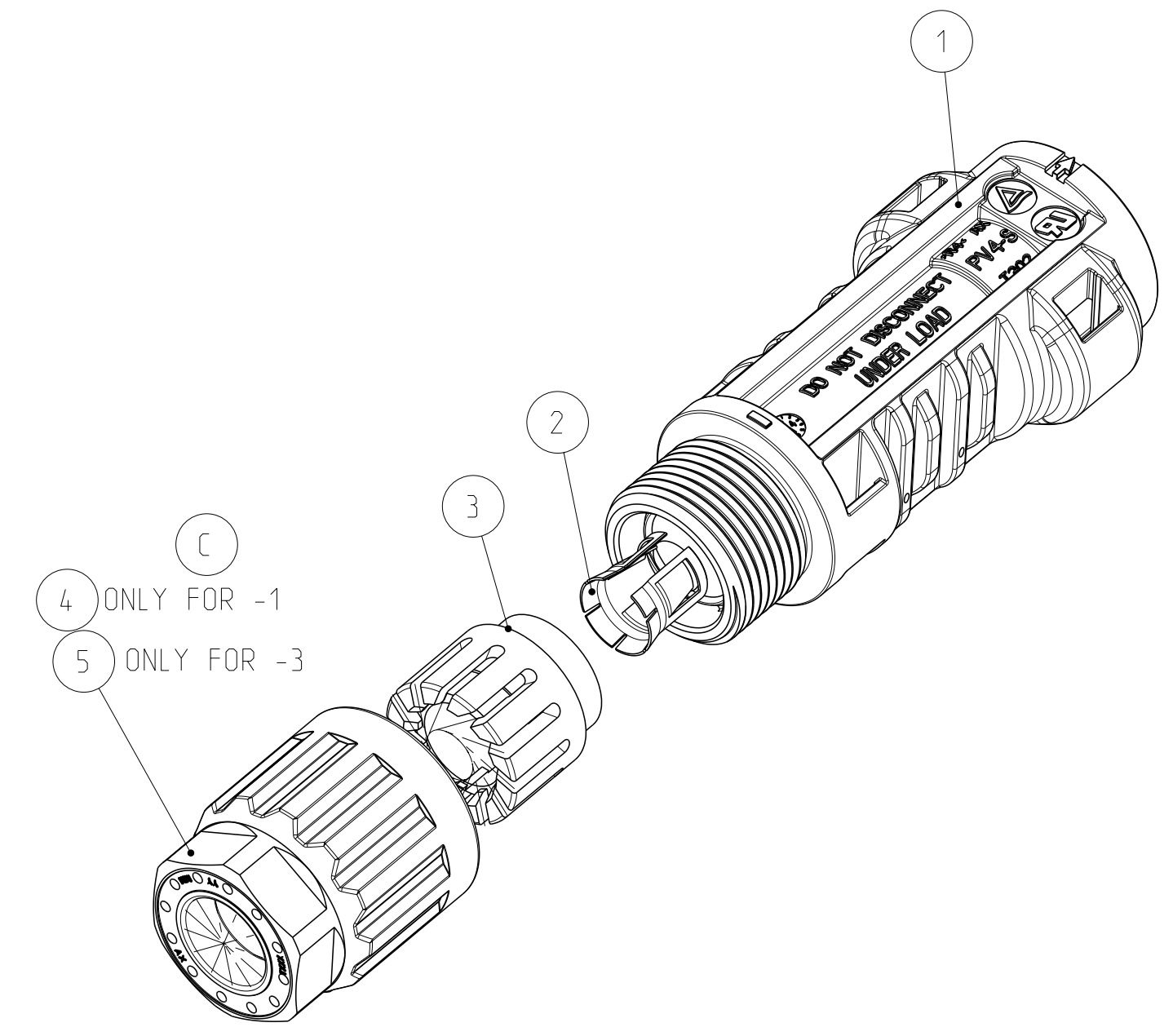
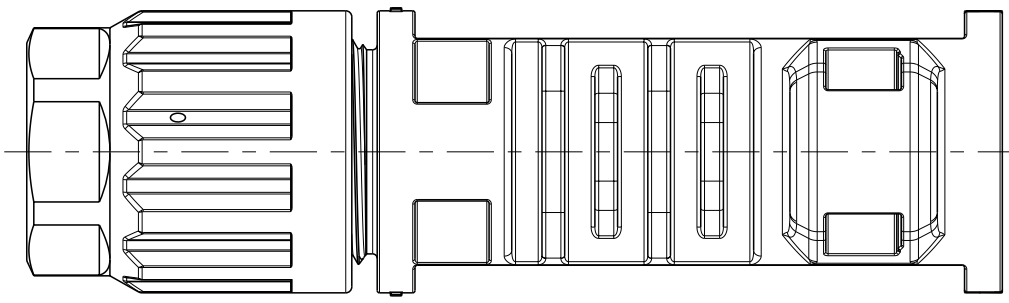


THIS DRAWING IS UNPUBLISHED. RELEASED FOR PUBLICATION 2014
 © COPYRIGHT 2014 BY - TE CONNECTIVITY ALL RIGHTS RESERVED.

LOC	DIST	REVISIONS			
P	LTR	DESCRIPTION	DATE	DWN	APVD
A3		VIEWS ARE UPDATED TO SHOW PV4-S	26OCT2015	KR	ZY
B		OBSOLETE CABLE DIAMTER 5.5mm to 6.0mm	12OCT2017	SG	MS
B1		ECR-18-008144	01JUN2018	GCM	MZ
C		ECR-24-205347	10APR2024	HM	AG



SECTION A-A



QTY	DESCRIPTION	ITEM
1000	1000 PACKAGING QTY(PC)	
2270022-3		
2270022-1		
1	CABLE SCREW JOINT, PA	5
-	CABLE SCREW JOINT, PPE	4
1	PINCH RING SEAL INMOLDED, ASSY	3
1	METAL CLIP	2
1	PV4-S PIN HOUSING CONNECTOR.	1
	DESCRIPTION	ITEM

- 1 PV4-S PIN HOUSING (ITEM NO.1), METAL CLIP (ITEM NO.2) INSERTED INTO ITEM NO.1 AND PINCH RING SEAL INMOLDED, ASSY (ITEM NO.3) PREASSEMBLED WITH CABLE SCREW JOINT.(ITEM NO.4 OR 5 PER BOM). CABLE SCREW JOINT (ITEM NO.4 OR 5 PER BOM) SCREWED WITH 2-3 TURNS ON PIN HOUSING (ITEM NO.1).
- 2 FOR CABLE DIAMETER 5.8mm to 7.5mm(NOMINAL VALUE)

THIS DRAWING IS A CONTROLLED DOCUMENT.

DIMENSIONS: mm	TOLERANCES UNLESS OTHERWISE SPECIFIED:	DWN: WANG LORRY 12JUN2014	TE Connectivity NAME: PV4-S1 PIN CONNECTOR PREASSEMBLED
		CHK: TAO DANIEL 12JUN2014	
		APVD: PETER YIN 12JUN2014	
		PRODUCT SPEC: 108-137077	
MATERIAL: -	FINISH: -	APPLICATION SPEC: 114-137077	RESTRICTED TO: -
Customer Drawing		WEIGHT: -	SCALE: 2:1
		SIZE: A2	SHEET 1 OF 1
		CAGE CODE: 00779	REV: C
		DRAWING NO: C-2270022	

printed on 3 May 2024 10:13 (India Standard Time) from TE397707