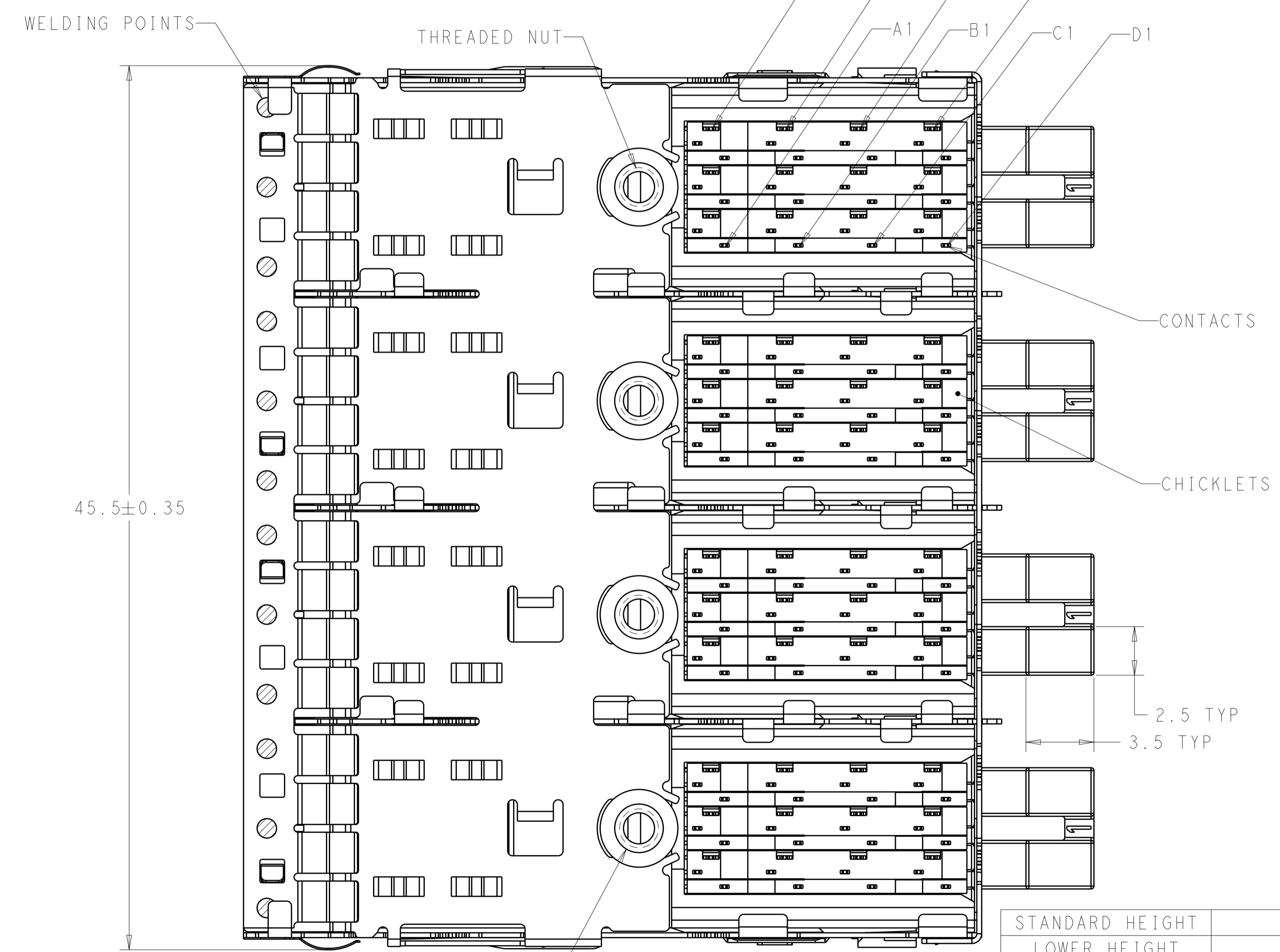
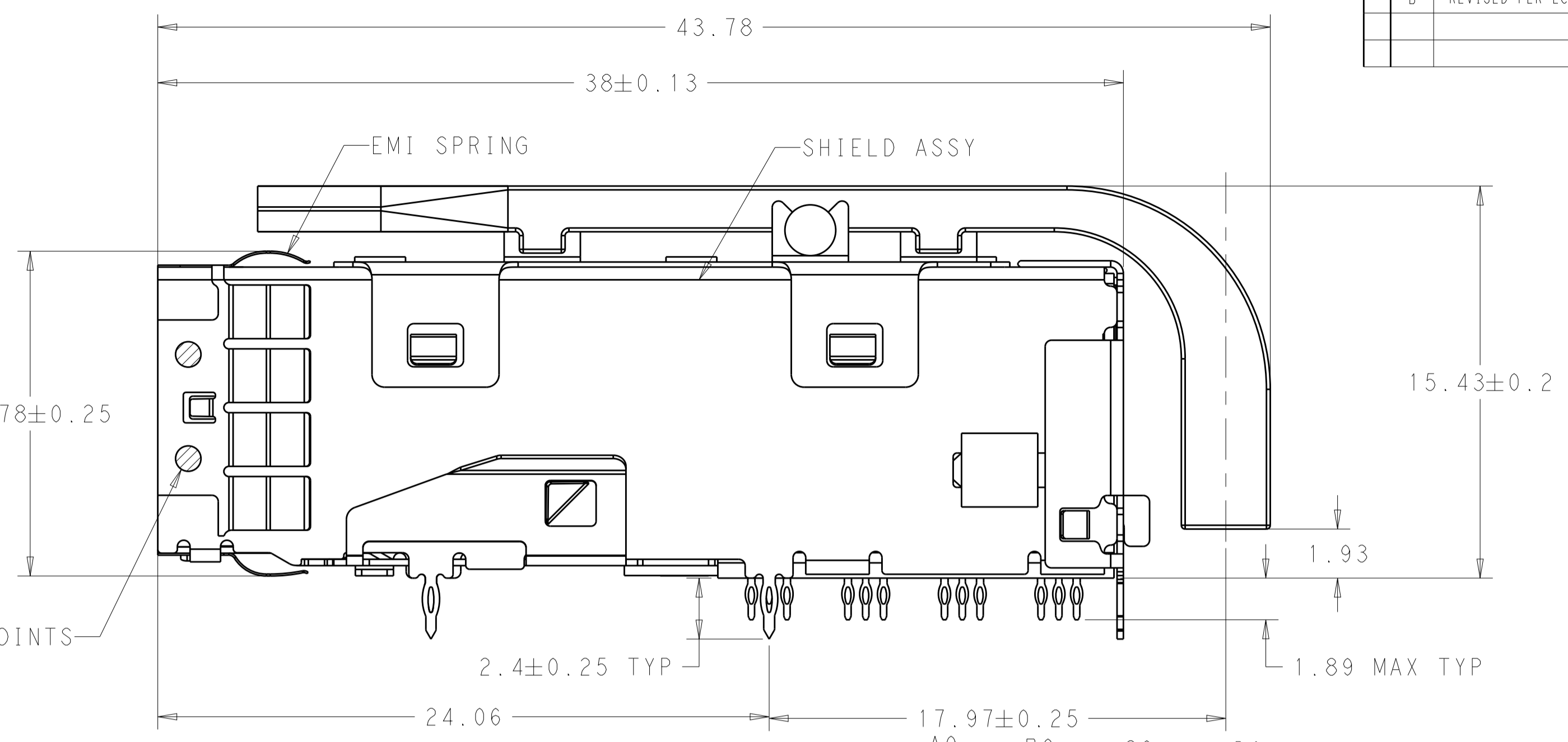
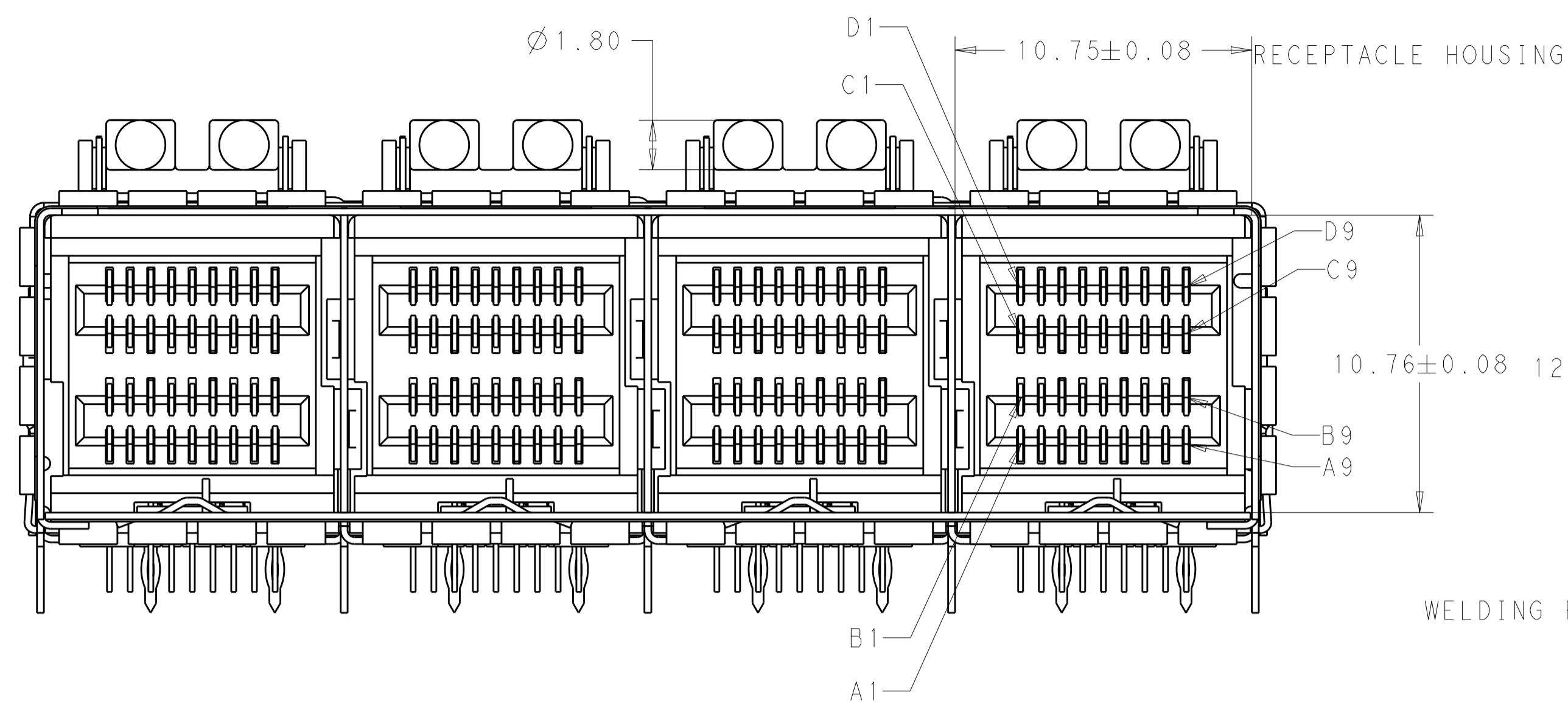


LOC		DIST		REVISIONS			
P	LTN	DESCRIPTION	DATE	DWN	APVD		
A		REVISED PER ECO-14-018497	17DEC2014	AP	DG		
B		REVISED PER ECO-15-013876	19JUN2016	JY	SH		



- MATERIALS**
 RECEPTACLE HOUSING: LCP, BLACK, UL94V-0 RATED
 SHIELD ASSY: NICKEL-SILVER COPPER ALLOY
 CONTACTS: COPPER ALLOY
 EMI SPRING: COPPER ALLOY
 THREADED NUT: BRASS
 CHICKLETS: LCP, BLACK, UL 94V-0 RATED
 LIGHTPIPE CLIP: STAINLESS STEEL
 LIGHTPIPE: POLYCARBONATE
 - FINISH**
 EMI SPRING: TIN PLATE OVER NICKEL PLATE
 NON-PLATED EDGES PERMISSABLE
 THREADED NUT: NICKEL PLATE
3. CONTACT FINISH: CONFORMS TO THE REQUIREMENTS OF TE PRODUCT SPECIFICATION, 108-2462. BASED ON EIA/ECA-364-1000.01A. (CONTROLLED ENVIRONMENT APPLICATIONS) ON MATING END. TIN PLATED ON PCB TAIL
4. THREAD LENGTH OF FASTENER = PCB THICKNESS+1.45 MAX
5. RECOMMENDED TRACE KEEP OUT ZONE

STANDARD HEIGHT	15.54	2274338-2
LOWER HEIGHT	14.53	2274338-1
LIGHT PIPE	H HOLE HIGHT OF LP	PART NUMBER

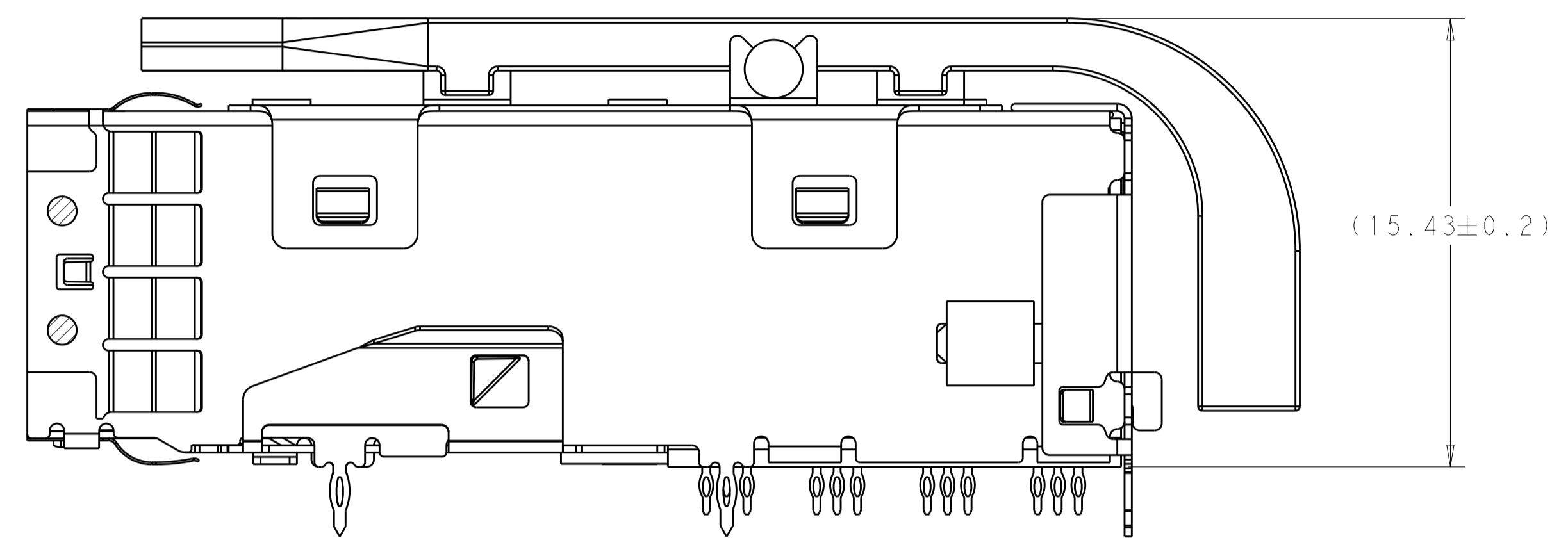
2274338-1 AS SHOWN

THIS DRAWING IS A CONTROLLED DOCUMENT.

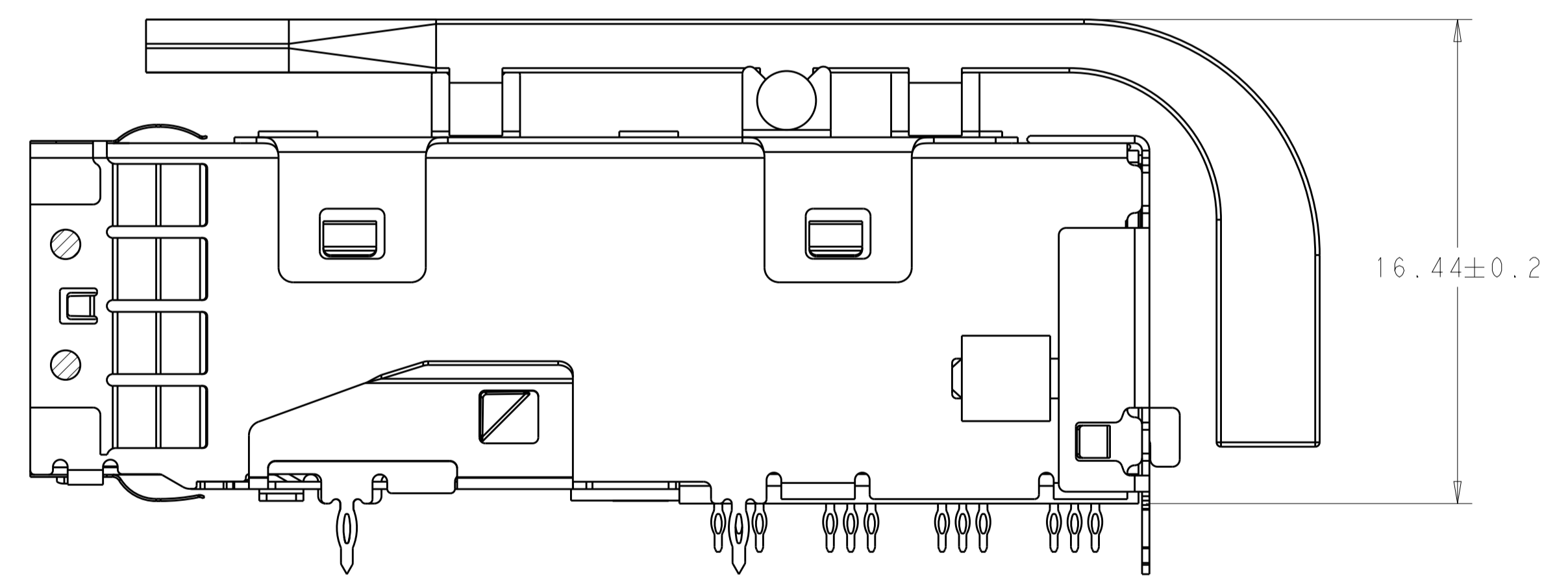
DIMENSIONS:	TOLERANCES UNLESS OTHERWISE SPECIFIED:	DWN: B. MATTHEWS 11OCT2013	CHK: D. GORENC 11OCT2013	APVD: D. GORENC 11OCT2013	NAME: RECEPTACLE ASSEMBLY, MINI-SAS HD, 4X W/ LOW PROFILE LIGHT PIPES
mm	0 PLC ± 1 PLC ±0.25 2 PLC ±0.13 3 PLC ± 4 PLC ± ANGLES ±	PRODUCT SPEC: 108-2462	APPLICATION SPEC: 114-13316	WEIGHT: -	SIZE: A1
MATERIAL:	FINISH:	CAGE CODE: 100779	DRAWING NO: C=2274338	SCALE: 6:1	SHEET 1 OF 4

CUSTOMER DRAWING

LOC		DIST		REVISIONS			
P.	LTN	DESCRIPTION	DATE	DMN	APVD		
-	-	SEE SHEET 1	-	-	-		



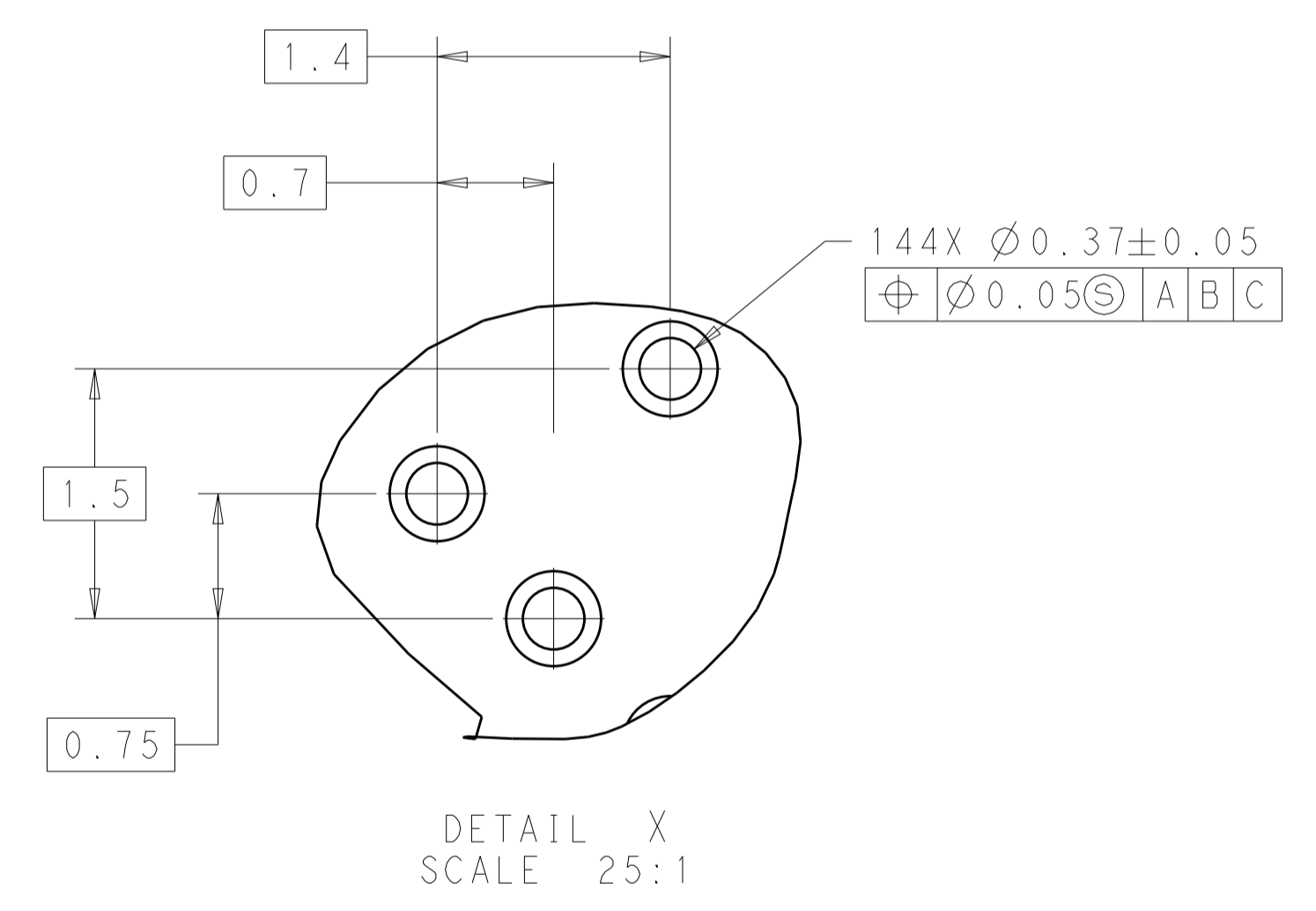
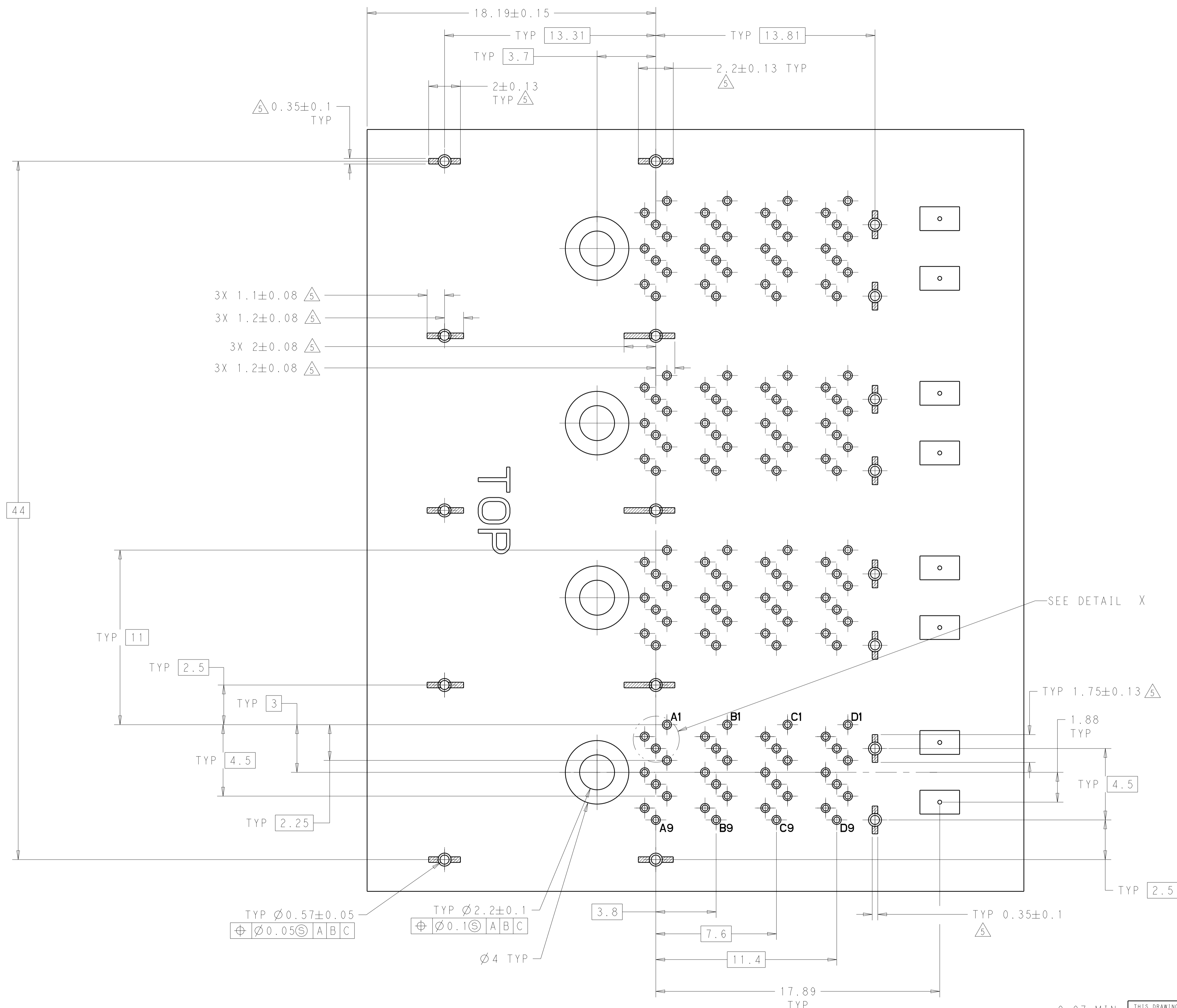
2274338-1 AS SHOWN
 SCALE 6:1



2274338-2 AS SHOWN
 UNSPECIFIED DIMENSIONS ARE SAME AS 2274338-1
 SCALE 6:1

THIS DRAWING IS A CONTROLLED DOCUMENT.		DMN B. MATTHEWS 11OCT2013	
		CHK D. GORENC 11OCT2013	
DIMENSIONS:		APVD D. GORENC 11OCT2013	NAME RECEPTACLE ASSEMBLY, MINI-SAS HD, 4X W/ LOW PROFILE LIGHT PIPES
TOLERANCES UNLESS OTHERWISE SPECIFIED:		PRODUCT SPEC	
mm	0 PLC ±	108-2462	SIZE CAGE CODE DRAWING NO RESTRICTED TO
	1 PLC ±0.25	APPLICATION SPEC	
	2 PLC ±0.13	114-13316	A 100779 C=2274338
	3 PLC ±	WEIGHT	
	4 PLC ±	CUSTOMER DRAWING	SCALE 6:1 SHEET 2 OF 4 REV B
	ANGLES ±		
	FINISH		

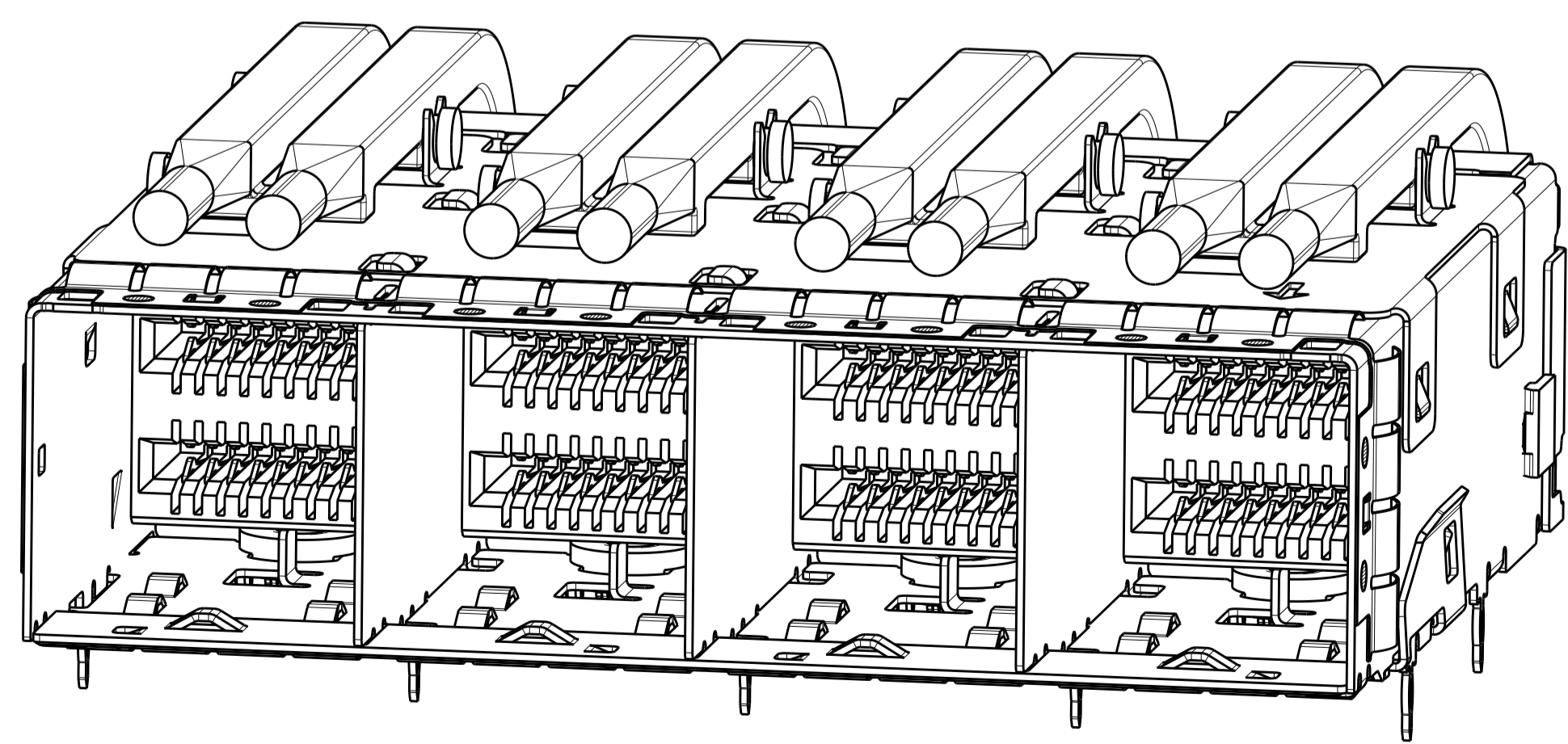
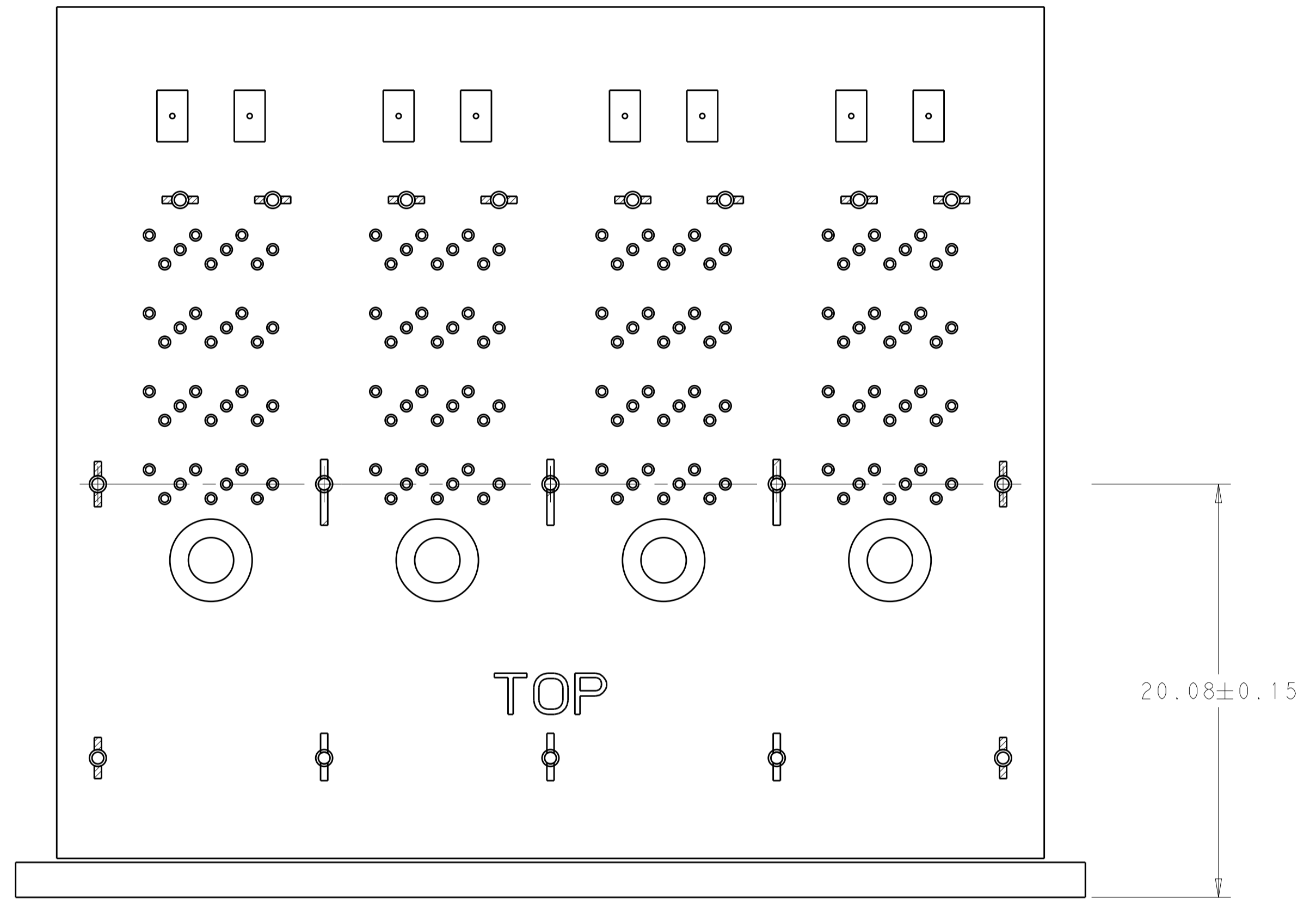
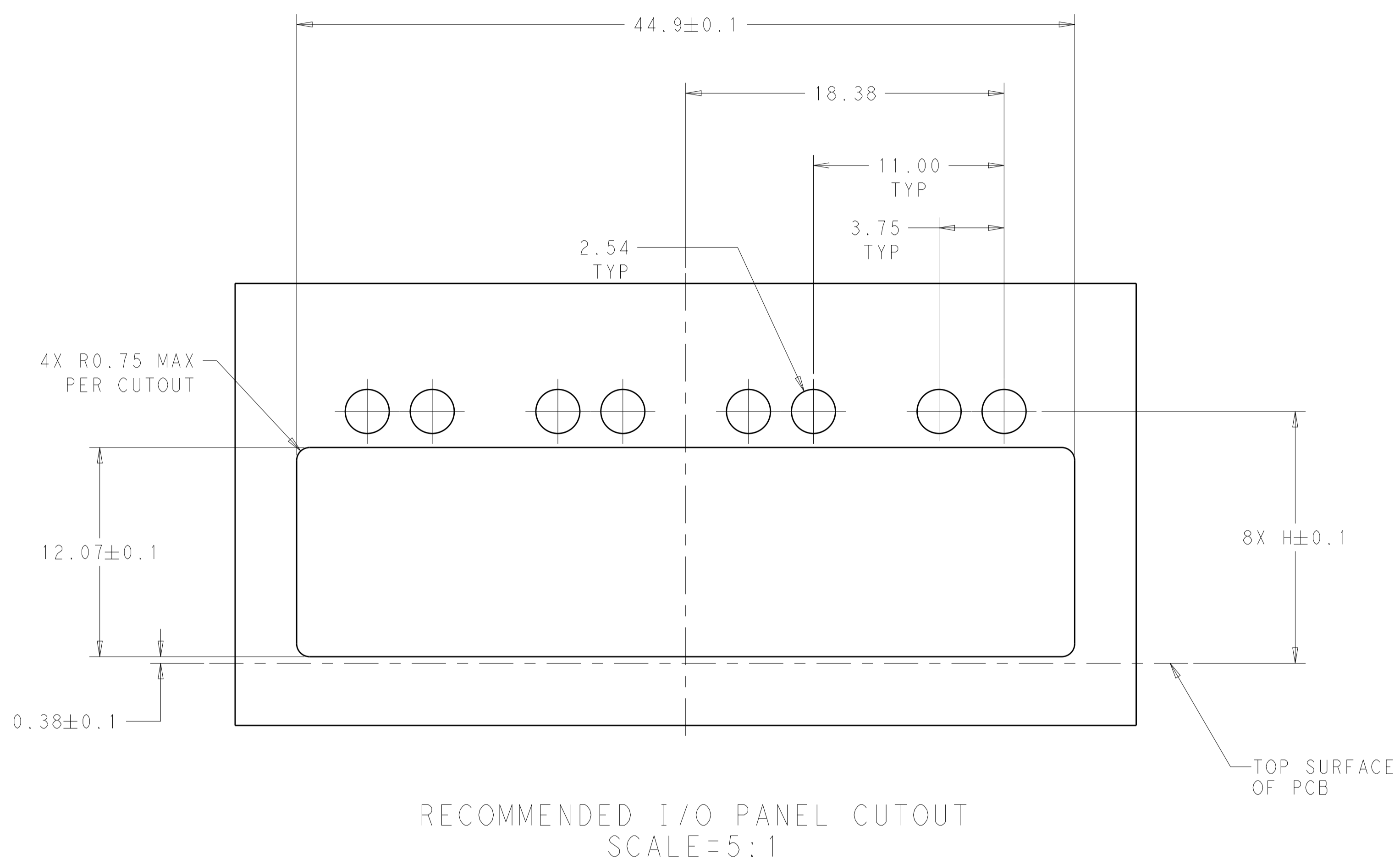
LOC		DIST		REVISIONS			
P.	LTN	DESCRIPTION	DATE	DMN	APVD		
-	-	SEE SHEET 1	-	-	-	-	-



RECOMMENDED PCB LAYOUT

THIS DRAWING IS A CONTROLLED DOCUMENT.		DMN: B. MATTHEWS 11OCT2013	TE Connectivity
DIMENSIONS: mm		CHK: D. GORENC 11OCT2013	
TOLERANCES UNLESS OTHERWISE SPECIFIED:		APVD: D. GORENC 11OCT2013	NAME: RECEPTACLE ASSEMBLY, MINI-SAS HD, 4X W/ LOW PROFILE LIGHT PIPES
0 PLC ±	1 PLC ±0.25	PRODUCT SPEC: 108-2462	SIZE: 114-13316
2 PLC ±	3 PLC ±0.13	APPLICATION SPEC: 114-13316	RESTRICTED TO: A100779C=2274338
4 PLC ±	ANGLES ±	WEIGHT: -	CUSTOMER DRAWING
MATERIAL: -	FINISH: -	SCALE: 5:1	SHEET 3 OF 4 REV B

LOC	DIST	REVISIONS			
P.	LTN	DESCRIPTION	DATE	DWN	APVD
-	-	SEE SHEET 1	-	-	-



THIS DRAWING IS A CONTROLLED DOCUMENT.		DWN: B. MATTHEWS 11OCT2013	
DIMENSIONS: mm		CHK: D. GORENC 11OCT2013	
TOLERANCES UNLESS OTHERWISE SPECIFIED:		APVD: D. GORENC 11OCT2013	NAME: RECEPTACLE ASSEMBLY, MINI-SAS HD, 4X W/ LOW PROFILE LIGHT PIPES
0 PLC ±	1 PLC ±0.25	PRODUCT SPEC: 108-2462	SIZE: A100779
2 PLC ±0.13	3 PLC ±	APPLICATION SPEC: 114-13316	CAGE CODE: C=2274338
4 PLC ±	ANGLES ±	WEIGHT: -	RESTRICTED TO: -
MATERIAL: -	FINISH: -	CUSTOMER DRAWING	SCALE: 5:1 SHEET 4 OF 4 REV B