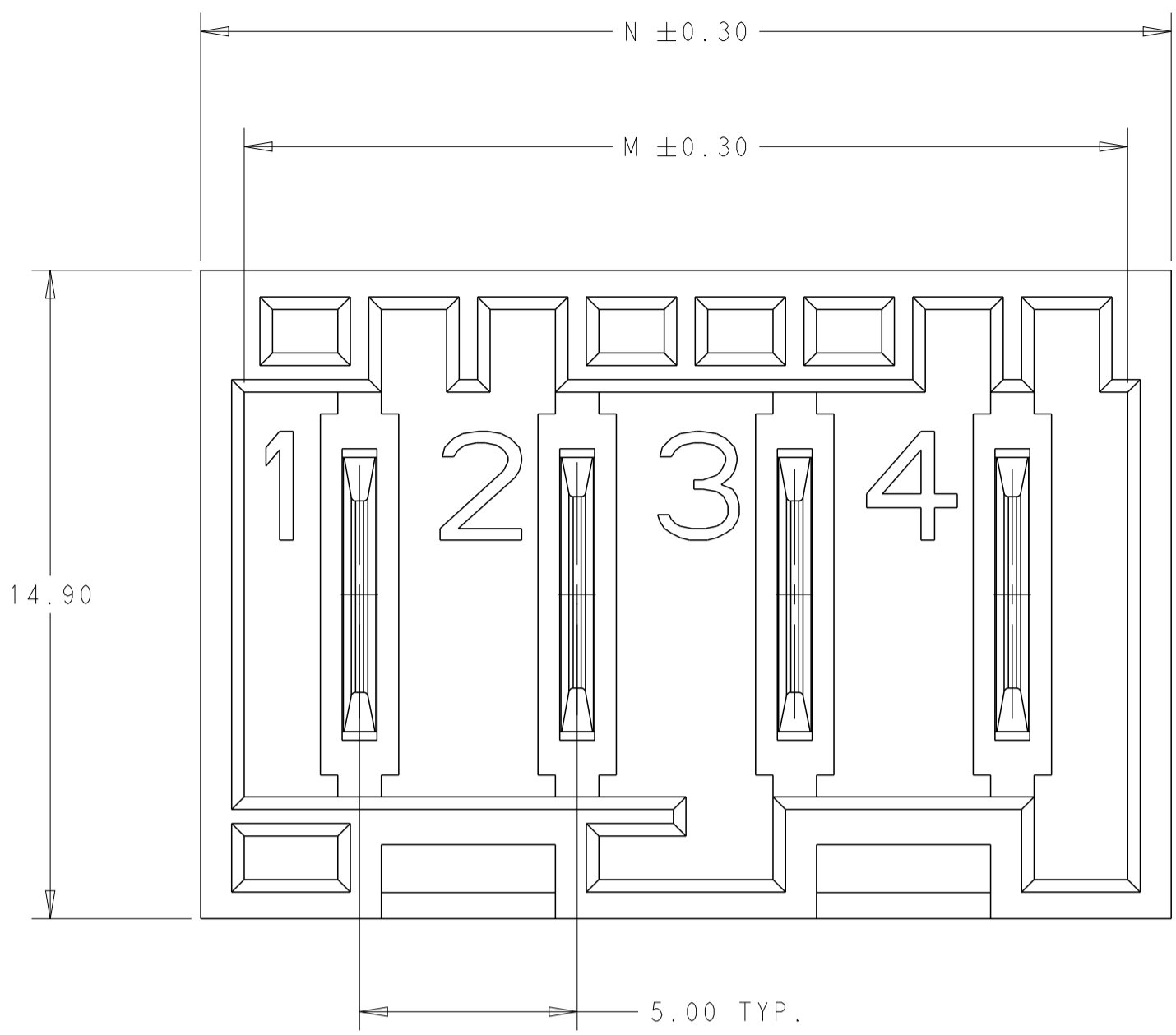
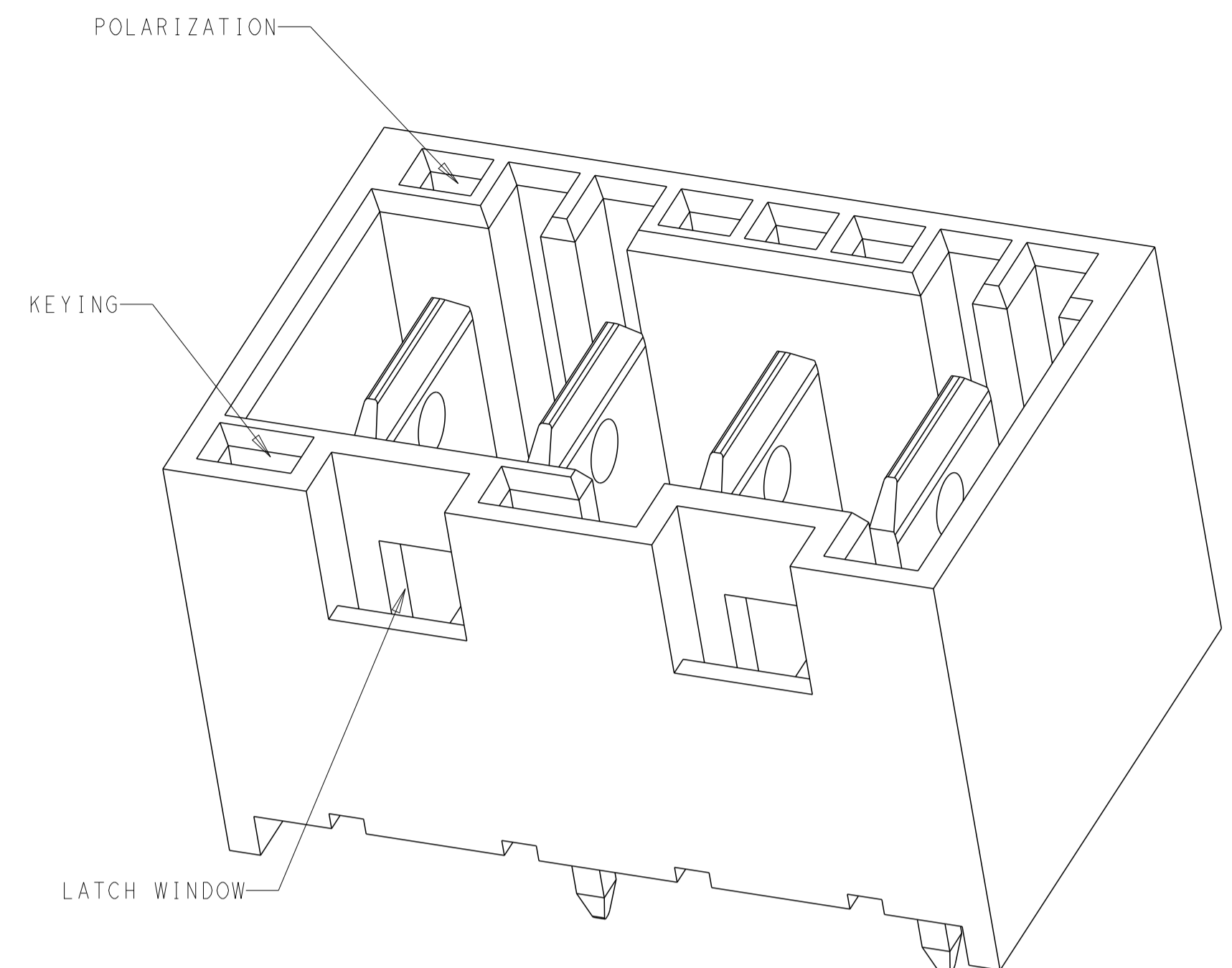
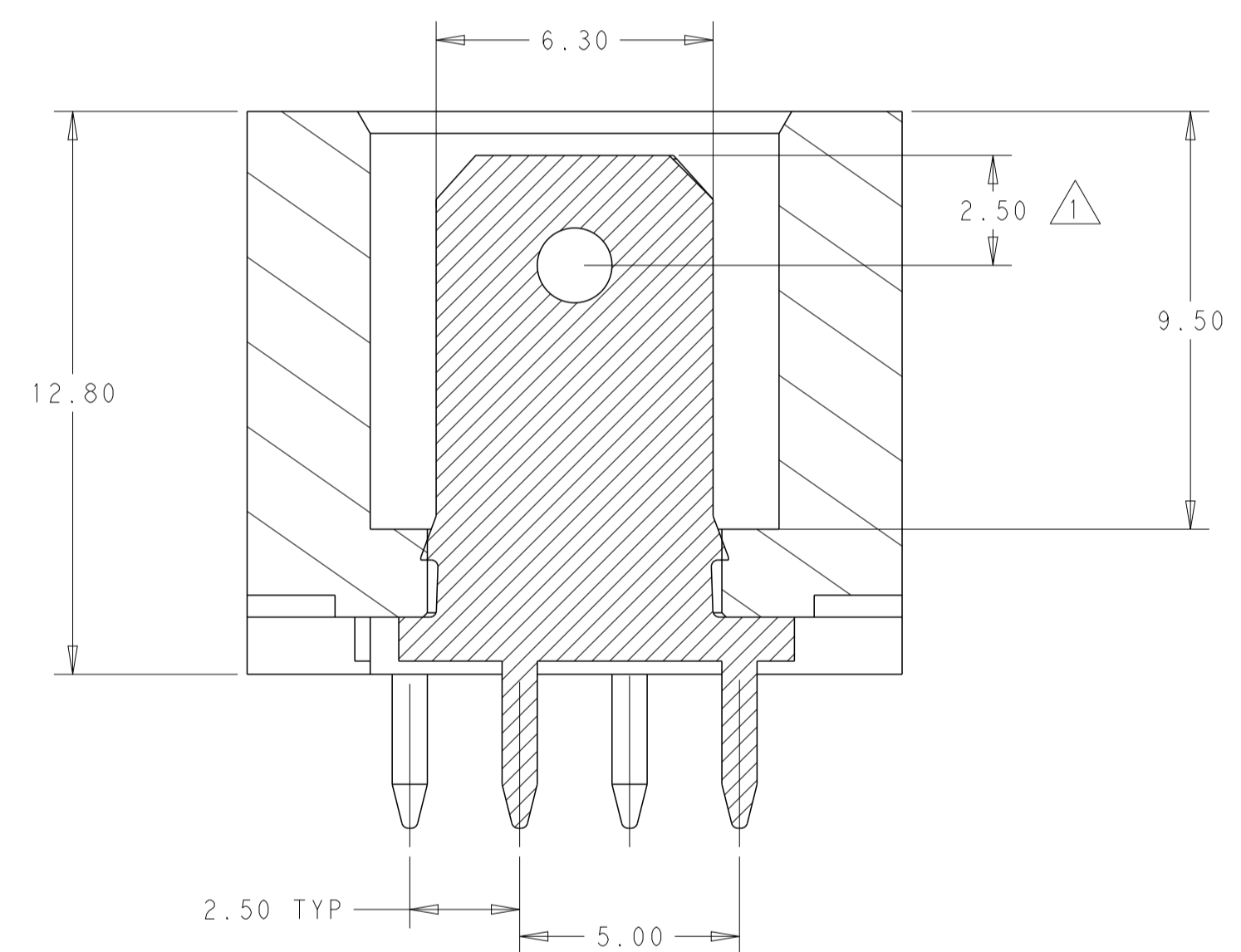
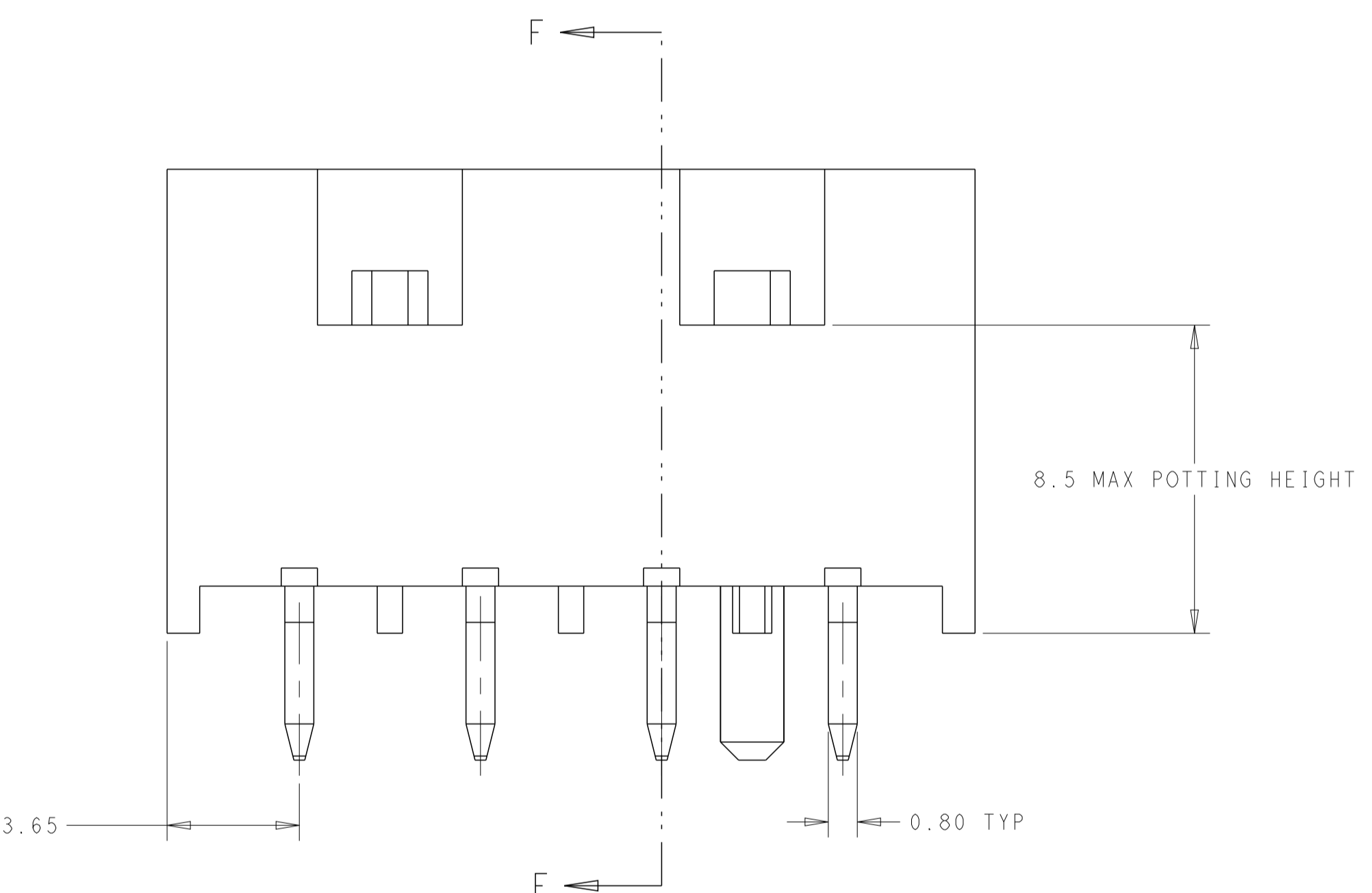
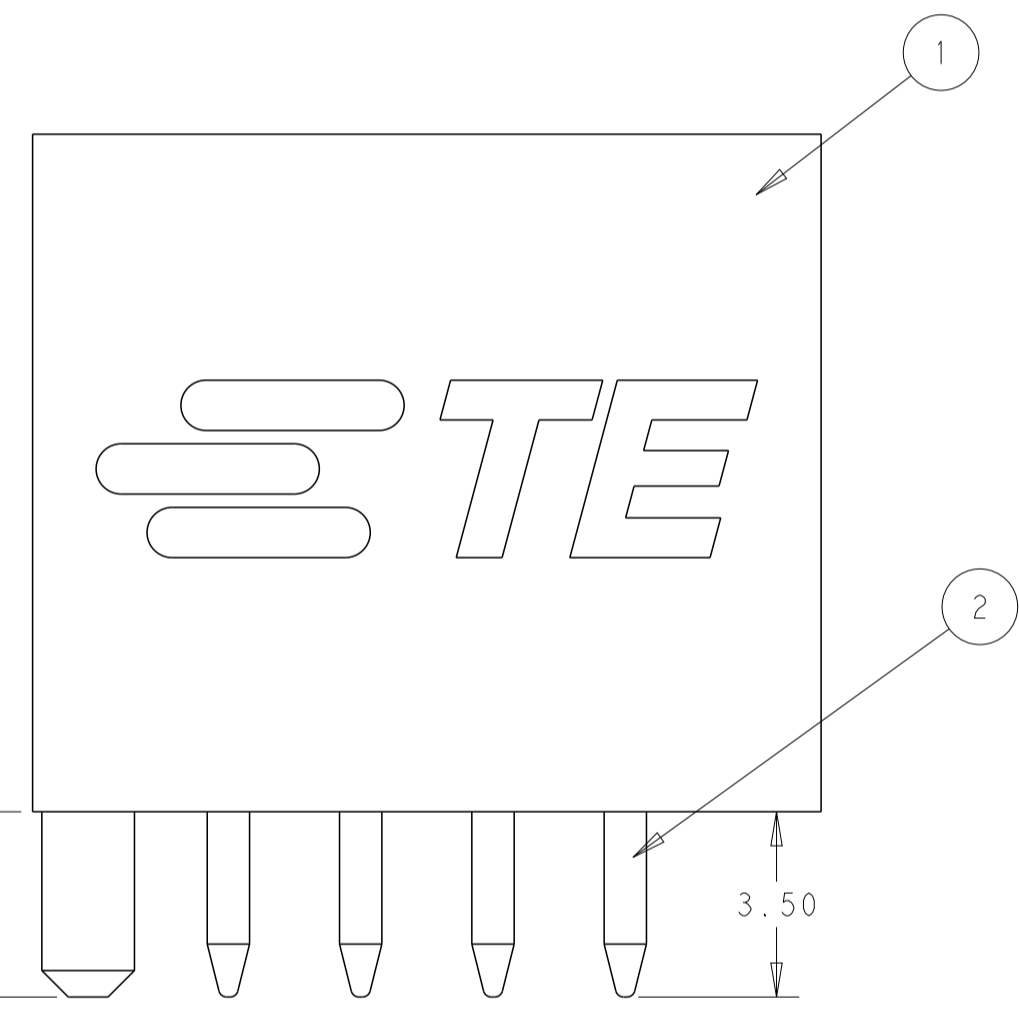


REVISIONS				
P	LTN	DESCRIPTION	DATE	APVD
B	ECR-21-100869		31MAR2021	PJ FL
B1	ECR-21-105673		06JUL2021	LZ FL
B2	ECR-21-118862		10NOV2021	SM FL
B4	ECR-24-207086		09MAY2024	SP FL

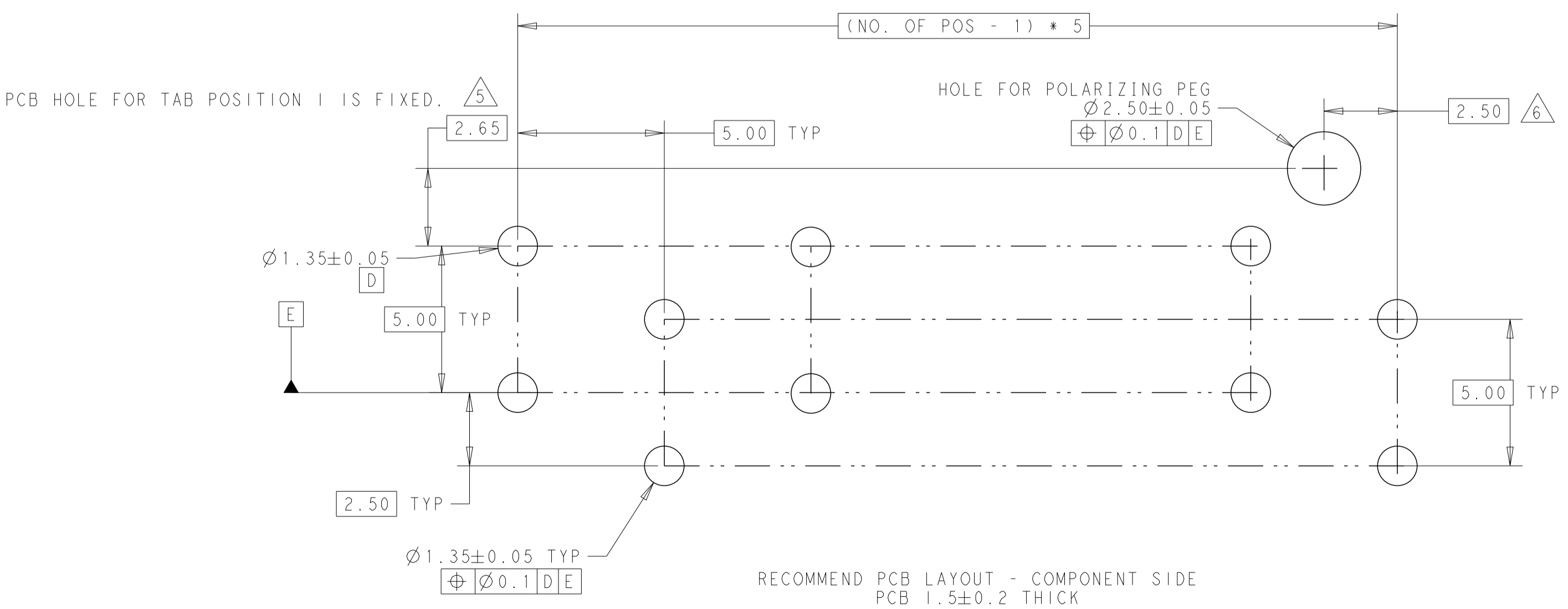


- NOTES:
- △ HOUSING HAS RAST 5 COMPLIANT KEYING, LATCHING, AND POLARIZATION TAB IS 6.30 X 0.8, HOWEVER THE LOCATION OF THE TAB HOLE DOES NOT MEET DIN 46244
 - 2 SEE SHEET 2 FOR AVAILABLE CONFIGURATIONS
 - 3 MATERIAL: HOUSING, NYLON, UL94 V0, 750°C GWT NO FLAME
CONTACT: COPPER ALLOY, 0.8MM THICK
 - 4 FINISH: CONTACTS, MATTE TIN PLATING OVERALL, NICKEL UNDER-PLATING
 - △ INVOLVED PARTS NOT HAVE THE SAME PCB LAYOUT AS GENERAL VERSION. PCB TABS INSERTED IN A STAGGERED PATTERN BEGINNING WITH POSITION 1 AS SHOWN (PCB HOLE POSTION FOR TAB 1 IS FIXED).
 - △ DIMENSION OFF OF LAST POSITION REGARDLESS OF EVEN OR ODD POSITION HEADER
 - 7 PACKAGING: LOOSE PIECE
 - △ PRELIMINARY PART - NOT RELEASED FOR PRODUCTION THIS PRODUCT HAS NOT COMPLETED QUALIFICATION TESTING
 - 9 INVOLVED PARTS HAVE NOT THE SAME PCB LAYOUT



SECTION F-F

△ TOOL MARK ON TERMINAL SURFACE IS ACCEPTABLE WHICH DOES NOT IMPACT FUNCTION

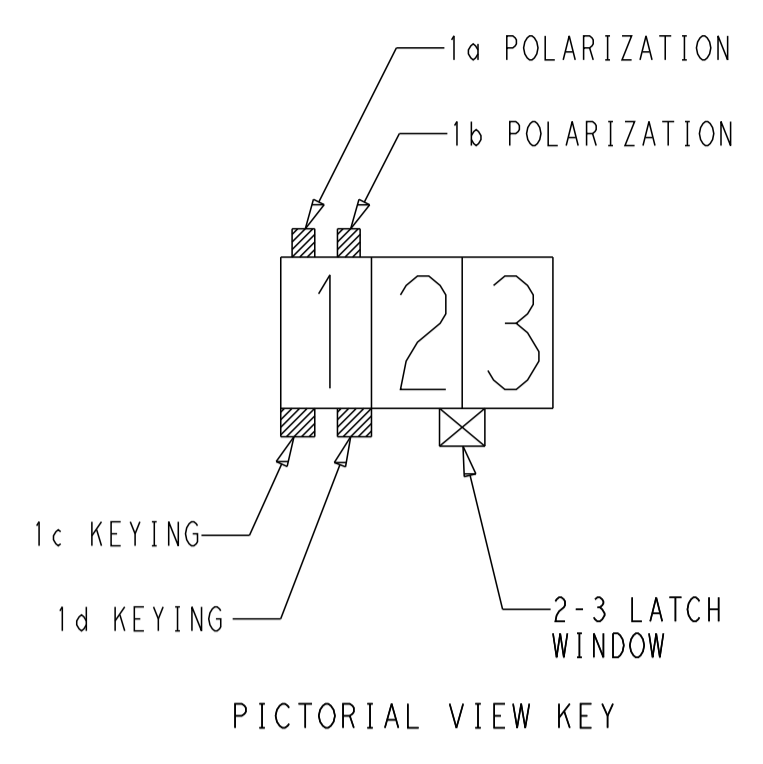


RECOMMEND PCB LAYOUT - COMPONENT SIDE
 PCB 1.5 ± 0.2 THICK

30.30	32.30	6
25.30	27.30	5
20.30	22.30	4
15.30	17.30	3
10.30	12.30	2
M	N	NO. OF POS.

THIS DRAWING IS A CONTROLLED DOCUMENT.		OWN J. POTERJOY 09APR2015		
DIMENSIONS: mm		CHK F. LUPO 09APR2015		
TOLERANCES UNLESS OTHERWISE SPECIFIED:		APVD R. ROBONE 09APR2015	NAME RAST 5 HDR ASSY, POSITIVE-LOCK SHROUDED, VERTICAL	
0 PLC ±		PRODUCT SPEC 108-106080	SIZE A1	
1 PLC ±0.25		APPLICATION SPEC	CAGE CODE -	
2 PLC ±		WEIGHT -	DRAWING NO. C=2292457	
3 PLC ±		RESTRICTED TO	SHEET 1 OF 2	
4 PLC ±		CUSTOMER DRAWING	REV B4	
ANGLES ±		SCALE 7:1		
FINISH SEE NOTES				

REVISIONS				
P.	LTN	DESCRIPTION	DATE	APVD
-		SEE SHEET 1	-	-



	NATURAL	6	POSITIVE-LOCK TAB CONTACT WITH MATTE TIN PLATING	RAST 5 TAB HEADER HOUSING	6	/	2390868-6 \triangle	
	NATURAL	5			5	1-2292457-5	/	
	NATURAL	5			5	2292457-5	/	
	NATURAL	4			4	3-2292457-4	3-2390868-4	
	NATURAL	4			4	1-2292457-4 \triangle	/	
	NATURAL	4			4	2292457-4	2390868-4	
	NATURAL	3			3	1-2292457-3	/	
	NATURAL	3			3	2292457-3	2390868-3	
	BLACK	2			2	3-2292457-2 \triangle	/	
	NATURAL	2			2	1-2292457-2	1-2390868-2	
	NATURAL	2			2	2292457-2	2390868-2	
LAYOUT	COLOR	QTY			TAB CONTACT	QTY	HEADER HOUSING	NO. OF POS
							TE PART NO.	

THIS DRAWING IS A CONTROLLED DOCUMENT.

DIMENSIONS: mm
 TOLERANCES UNLESS OTHERWISE SPECIFIED:
 0 PLC ±
 1 PLC ±0.25
 2 PLC ±
 3 PLC ±
 4 PLC ±
 ANGLES ±3°
 FINISH SEE NOTES

DWN J. POTERJOY 09APR2015
 CHK F. LUPO 09APR2015
 APVD B. ROBONE 09APR2015

STE TE Connectivity
 NAME RAST 5 HDR ASSY, POSITIVE-LOCK SHROUDED, VERTICAL
 PRODUCT SPEC 108-106080
 APPLICATION SPEC

MATERIAL SEE NOTES
 WEIGHT -
 CUSTOMER DRAWING

SIZE A1
 CAGE CODE -
 DRAWING NO. C=2292457
 RESTRICTED TO

SCALE 7:1 SHEET 2 OF 2 REV B4