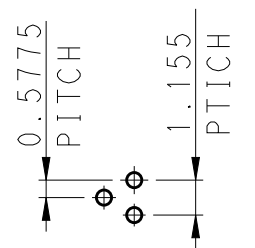
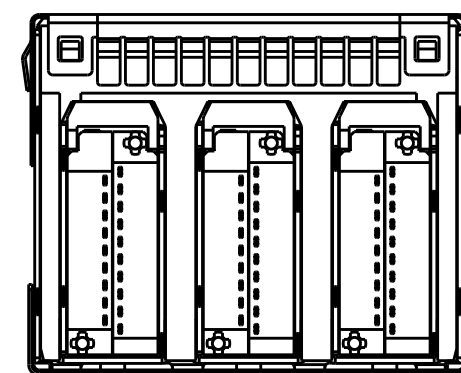
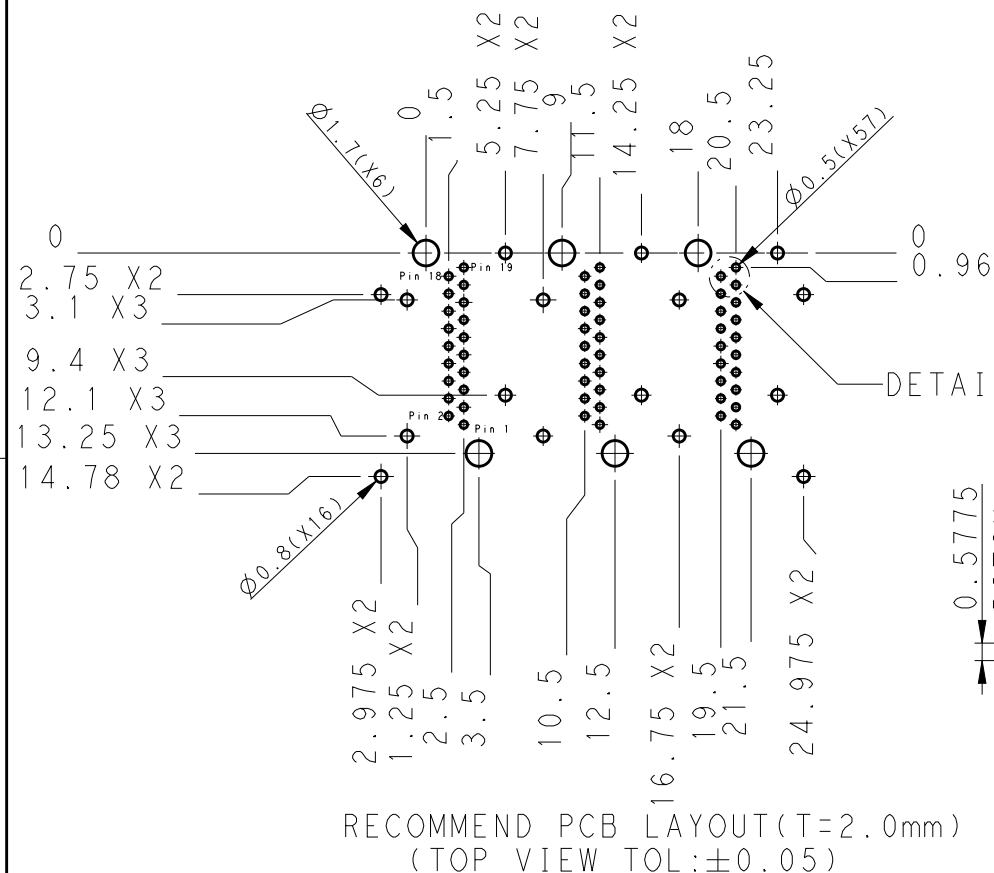
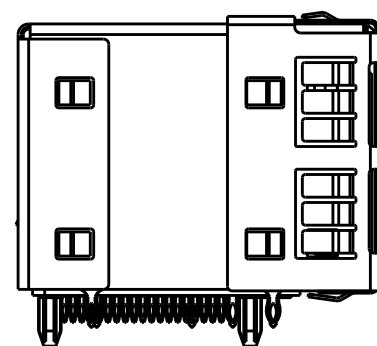
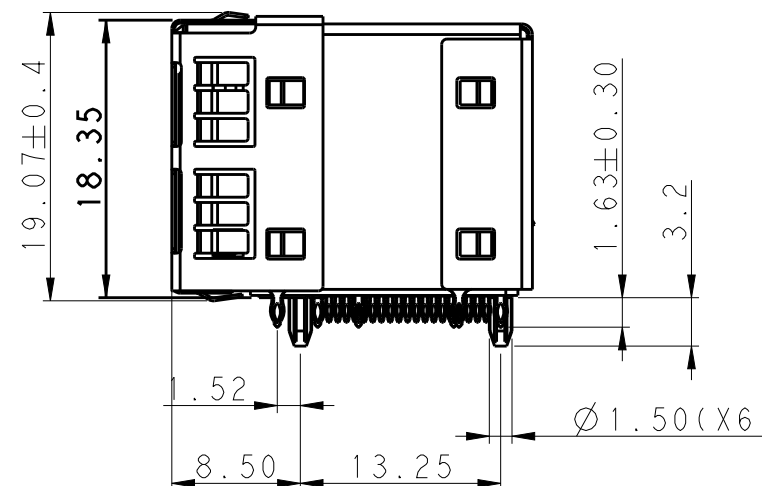
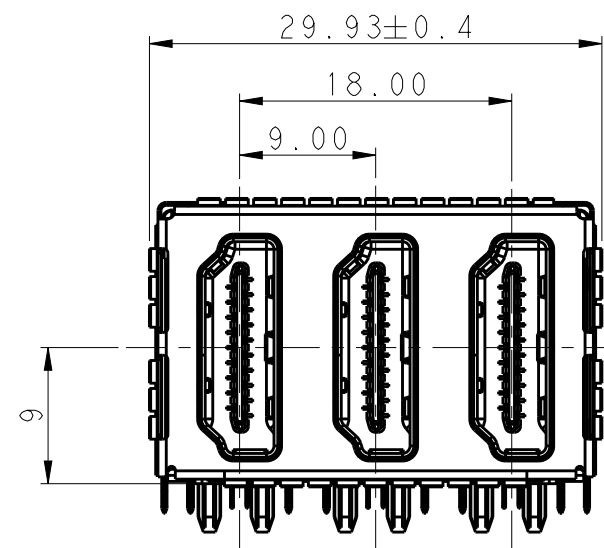
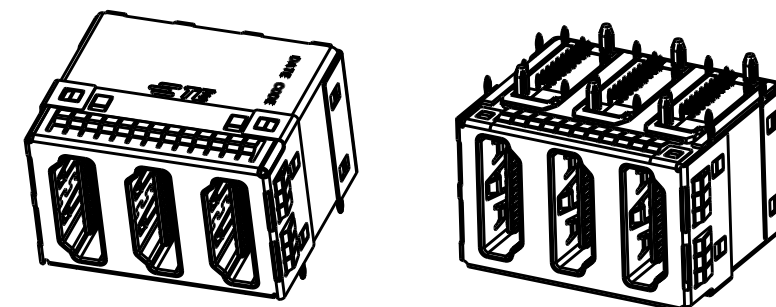
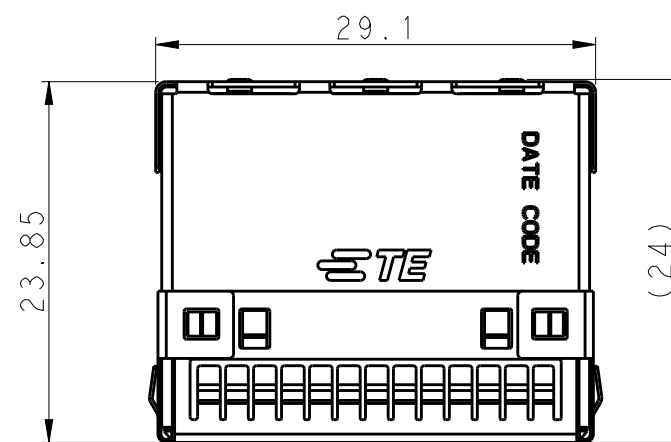


REVISIONS

P	LTR	DESCRIPTION	DATE	DWN	APVD
1		PRELIMINARY	9Sep2015	B.L	H.W
2		REVISED PLATING SPEC	22SEP2015	B.L	H.W
3		ADD PACKAGE DRAWING	19OCT2015	B.L	H.W

DESIGN APPROVED THIS PRINT IS
PRELIMINARY
 TO FIRST PIECE APPROVAL
 CONTACT PRODUCT ENGINEERING
 BEFORE USING THIS PRINT



DETAIL A
 SCALE 4:1

RECOMMEND PCB LAYOUT (T=2.0mm)
 (TOP VIEW TOL:±0.05)

NOTES:
 ⚠ MATERIAL:
 CONTACT: COPPER ALLOY
 HOUSING: UL 94V-0, THERMOPLASTIC, COLOR: NATURAL
 SHELL: COPPER ALLOY
 ⚠ FINISH:
 CONTACT: 1.27 um MIN. NICKEL UNDER PLATING OVER ALL
 0.76um MIN. Au PLATING ON CONTACT SURFACE
 2.54um MIN. MATTE TIN ON PRESS-FIT AREA
 SHELL: 1.27 um NICKEL UNDER PLATING OVER ALL
 3. TAPE & REEL PACKAGE.

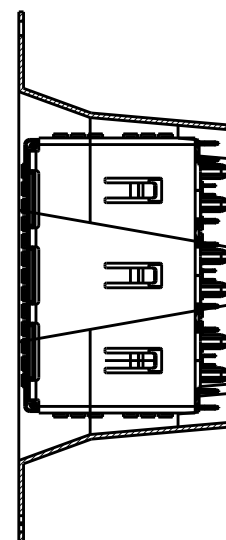
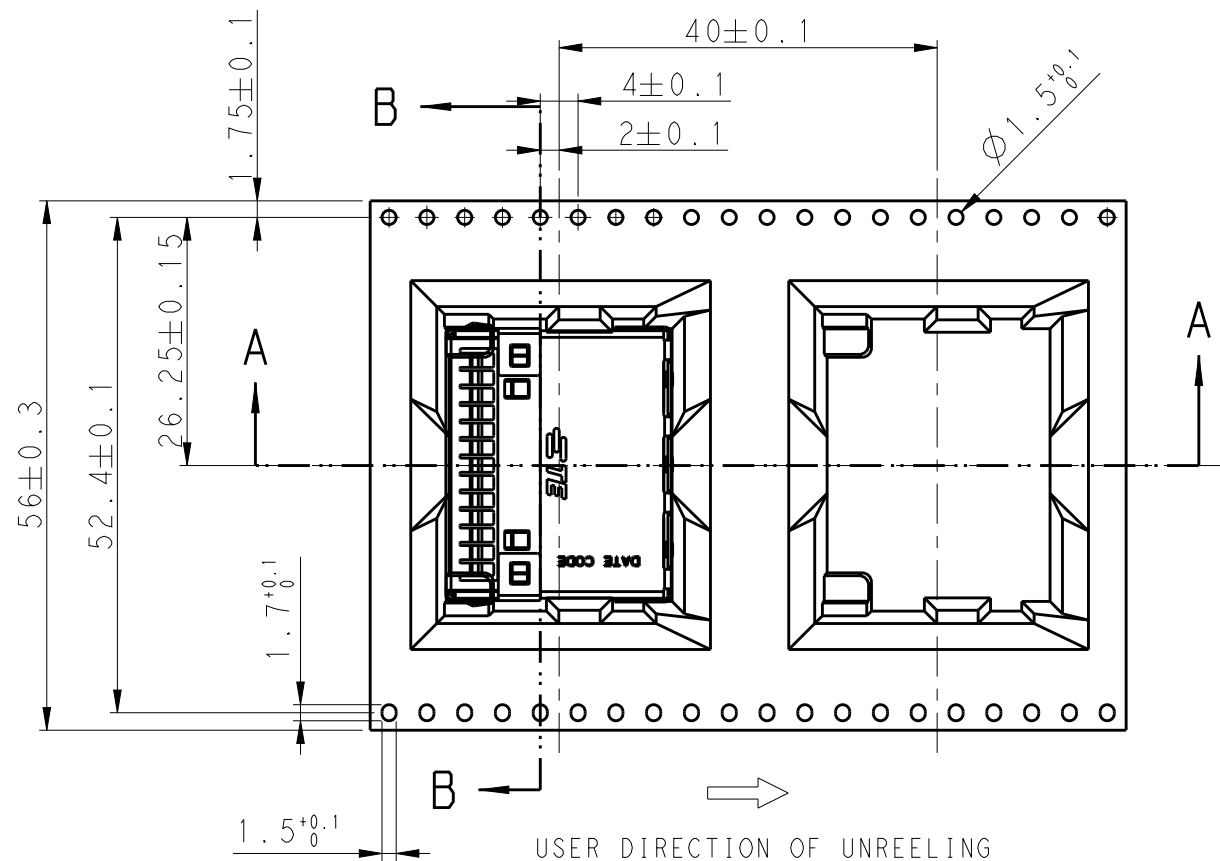
2295556-1: AS SHOWN

THIS DRAWING IS A CONTROLLED DOCUMENT.		DWN Bill Lv 9Sep2015	TE Connectivity	
DIMENSIONS: mm		CHK Hapye Wu 9Sep2015		
TOLERANCES UNLESS OTHERWISE SPECIFIED:		APVD Hapye Wu 9Sep2015	NAME CUSTOMER DRAWING FOR 3 PORTS HDMI, RECEPTACLE	
0 PLC ± 1 PLC ±0.5 2 PLC ±0.25 3 PLC ± 4 PLC ± ANGLES ±3		PRODUCT SPEC -	SIZE A3	
MATERIAL -		APPLICATION SPEC -	CAGE CODE 00779	RESTRICTED TO -
FINISH -		WEIGHT -	DRAWING NO C-2295556	
		Customer Drawing	SCALE N/A	SHEET 1 OF 2
				REV 3

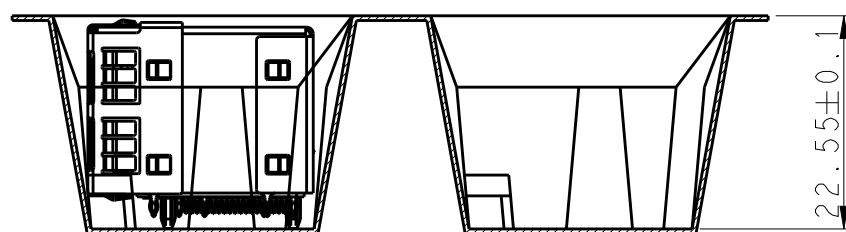
THIS DRAWING IS UNPUBLISHED. RELEASED FOR PUBLICATION 20
 © COPYRIGHT 20 BY - ALL RIGHTS RESERVED.

REVISIONS

P	LTR	DESCRIPTION	DATE	DWN	APVD
-	-	SEE SHEET 1	-	-	-



SECTION B - B



SECTION A - A

USER DIRECTION OF UNREELING

NOTE:

1. 10 SPROCKET HOLE PITCH CUMULATIVE TOLERANCE: ±0.20
2. CARRIER CAMBER IS WITHIN 1mm IN 250mm.
3. MATERIAL: PS (COLOR: BLACK), ESD MATERIAL PER PER TE SPEC. 115-59.
4. THICKNESS: 0.5±0.05mm

THIS DRAWING IS A CONTROLLED DOCUMENT.

DIMENSIONS:	TOLERANCES UNLESS OTHERWISE SPECIFIED:
mm	
	0 PLC ±
	1 PLC ±0.5
	2 PLC ±0.25
	3 PLC ±
	4 PLC ±
	ANGLES ±3
MATERIAL -	FINISH -

DWN	Bill Lv	9Sep2015
CHK	Hapye Wu	9Sep2015
APVD	Hapye Wu	9Sep2015
PRODUCT SPEC	-	-
APPLICATION SPEC	-	-
WEIGHT	-	-
Customer Drawing		



NAME				CUSTOMER DRAWING FOR 3 PORTS HDMI, RECEPTACLE	
SIZE	CAGE CODE	DRAWING NO	RESTRICTED TO		
A3	00779	C-2295556	-		
SCALE		SHEET	OF	REV	
N/A		2	2	3	