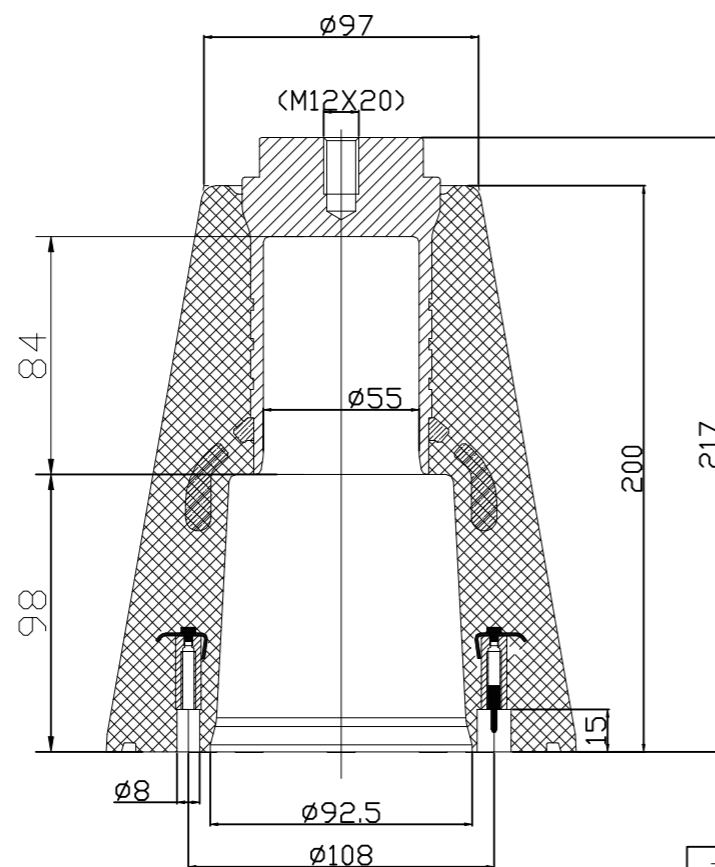
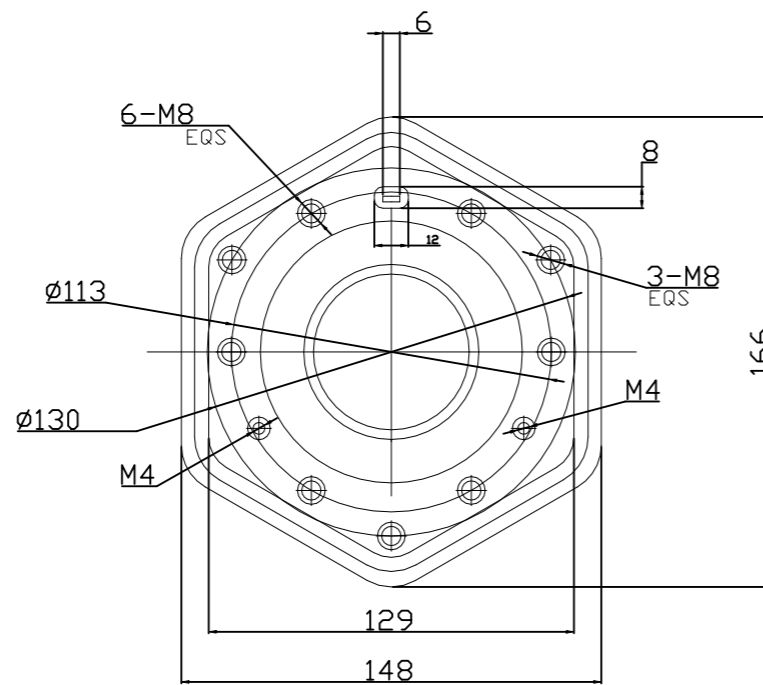


P	LTR	DESCRIPTION	DATE	DWN	APVD
1	-		-	-	-


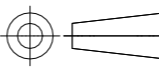


Data sheet:

1. Reach electrical performance AC 117kV/5min, PD 45kV<10pC, BIL 200kV.
2. Sealing performance can reach leakage rate less than 1×10^{-8} Pa.mm³/s.

Note:

1. This drawing is only for customer usage.

THIS DRAWING IS A CONTROLLED DOCUMENT.		DWN MARTIN XUE 02JUN2016	 TE Connectivity		
		CHK HUANG HE 02JUN2016			
DIMENSIONS: mm		APVD TAN YUEZHONG -	NAME MVCA-RPIS-3-VD CUSTOMER DRAWING-EN		
		PRODUCT SPEC -	APPLICATION SPEC -		
TOLERANCES UNLESS OTHERWISE SPECIFIED: 0 PLC ± - 1 PLC ± - 2 PLC ± - 3 PLC ± - 4 PLC ± - ANGLES ± -		WEIGHT 0	SIZE A3	CAGE CODE -	DRAWING NO C-2298376
MATERIAL -		FINISH -		RESTRICTED TO -	
CUSTOMER DRAWING			SCALE 1:1	SHEET 1 OF 1	REV 1