

THIS DRAWING IS UNPUBLISHED.

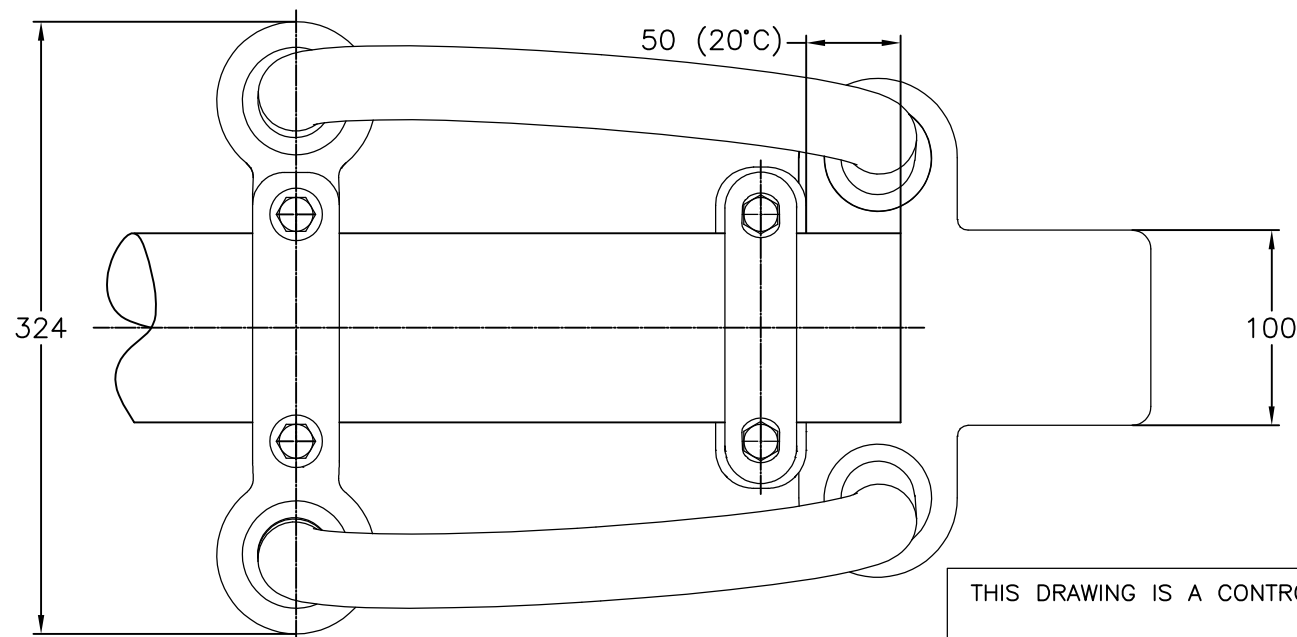
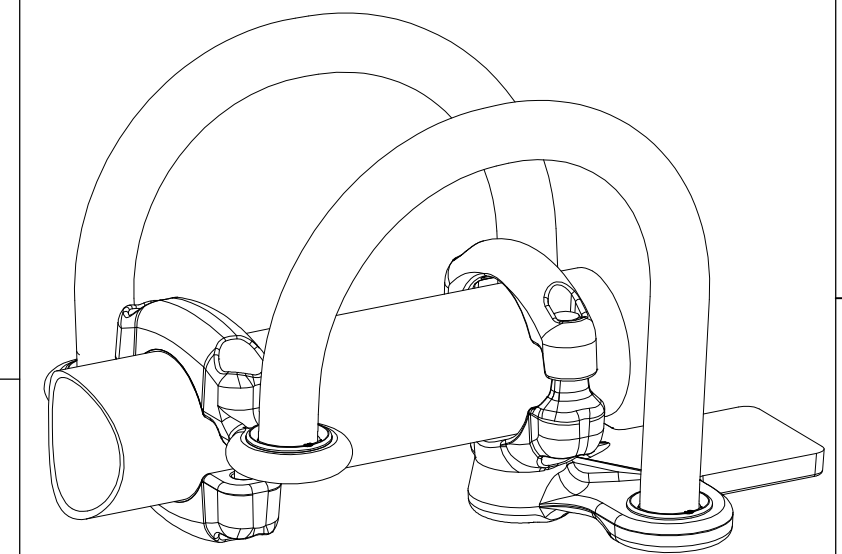
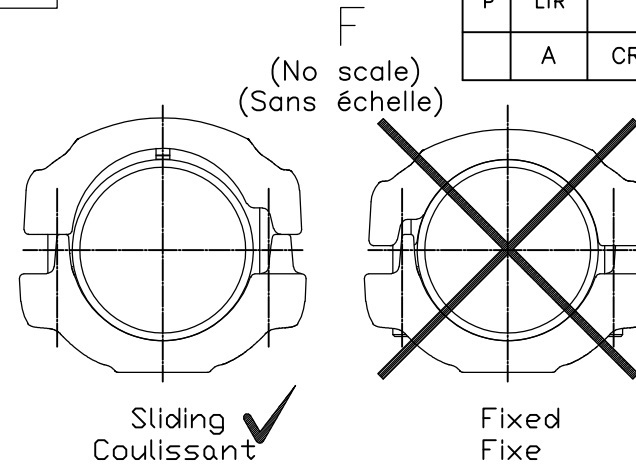
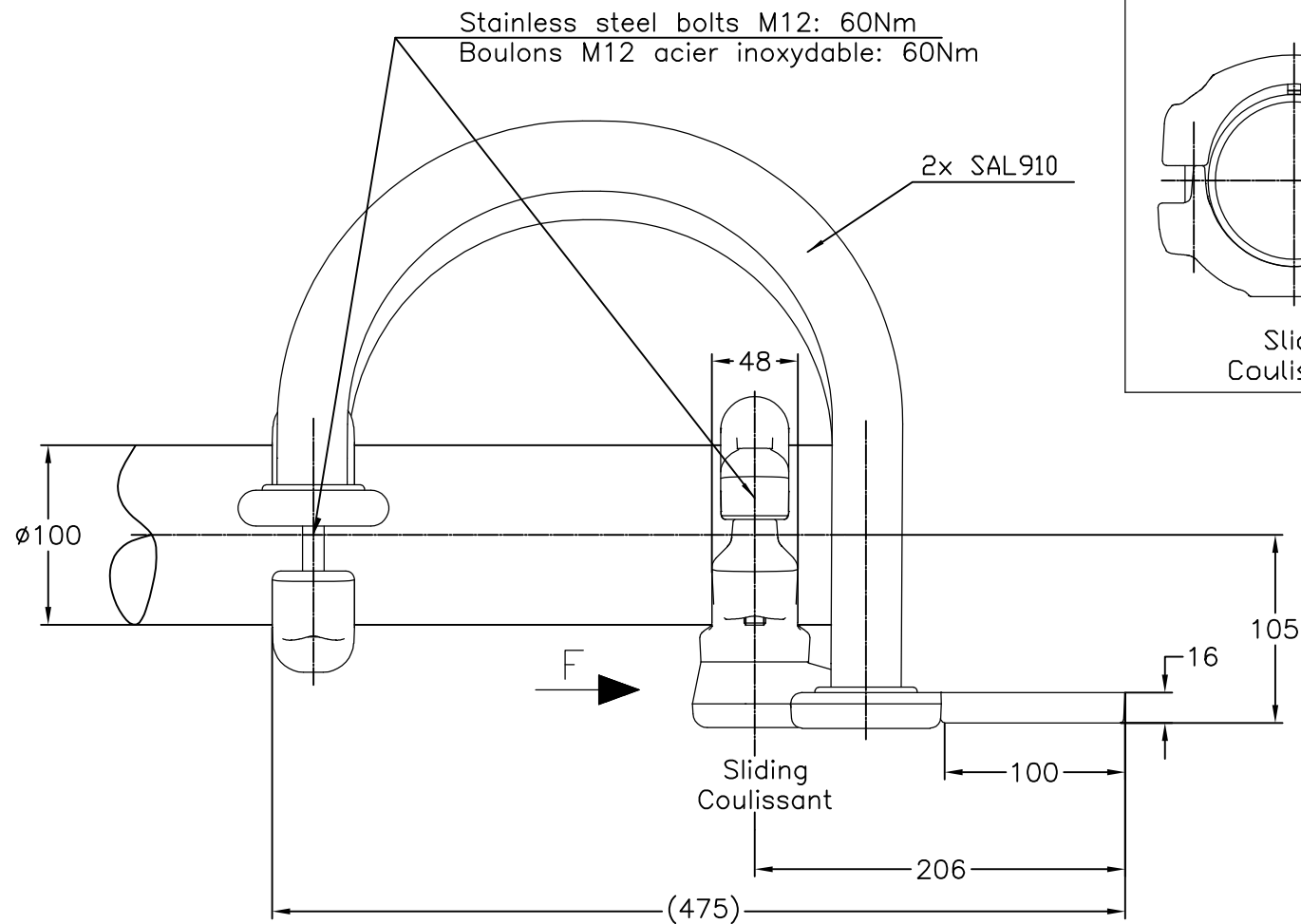
RELEASED FOR PUBLICATION

ALL RIGHTS RESERVED.

© COPYRIGHT - By -

REVISIONS

P	LTR	DESCRIPTION	DATE	DWN	APVD
	A	CREATION	15-Jan-16	JPM	-



THIS DRAWING IS A CONTROLLED DOCUMENT.

DWN MOYEUX 15-Jan-16

CHK -

APVD -

PRODUCT SPEC

108-69090-001

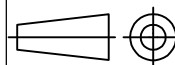
APPLICATION SPEC

-

APPROX.WEIGHT 6.7 kg

CUSTOMER DRAWING

DIMENSIONS:
mm



MATERIAL

TOLERANCES UNLESS OTHERWISE SPECIFIED:

- 0 PLC ± -
- 1 PLC ± -
- 2 PLC ± -
- 3 PLC ± -
- 4 PLC ± -
- ANGLES ± -
- FINISH -



NAME
EXPANSION CONNECTOR -ø100 TO PAD
RACCORD A DILATATION TUBE ø100 SUR PLAGE
5 TTPDL 82 T100 100 29

SIZE CAGE CODE DRAWING NO RESTRICTED TO
A3 00779 C=2299784

SCALE 1:4 SHEET 1 OF 1 REV A

ITEM:.....