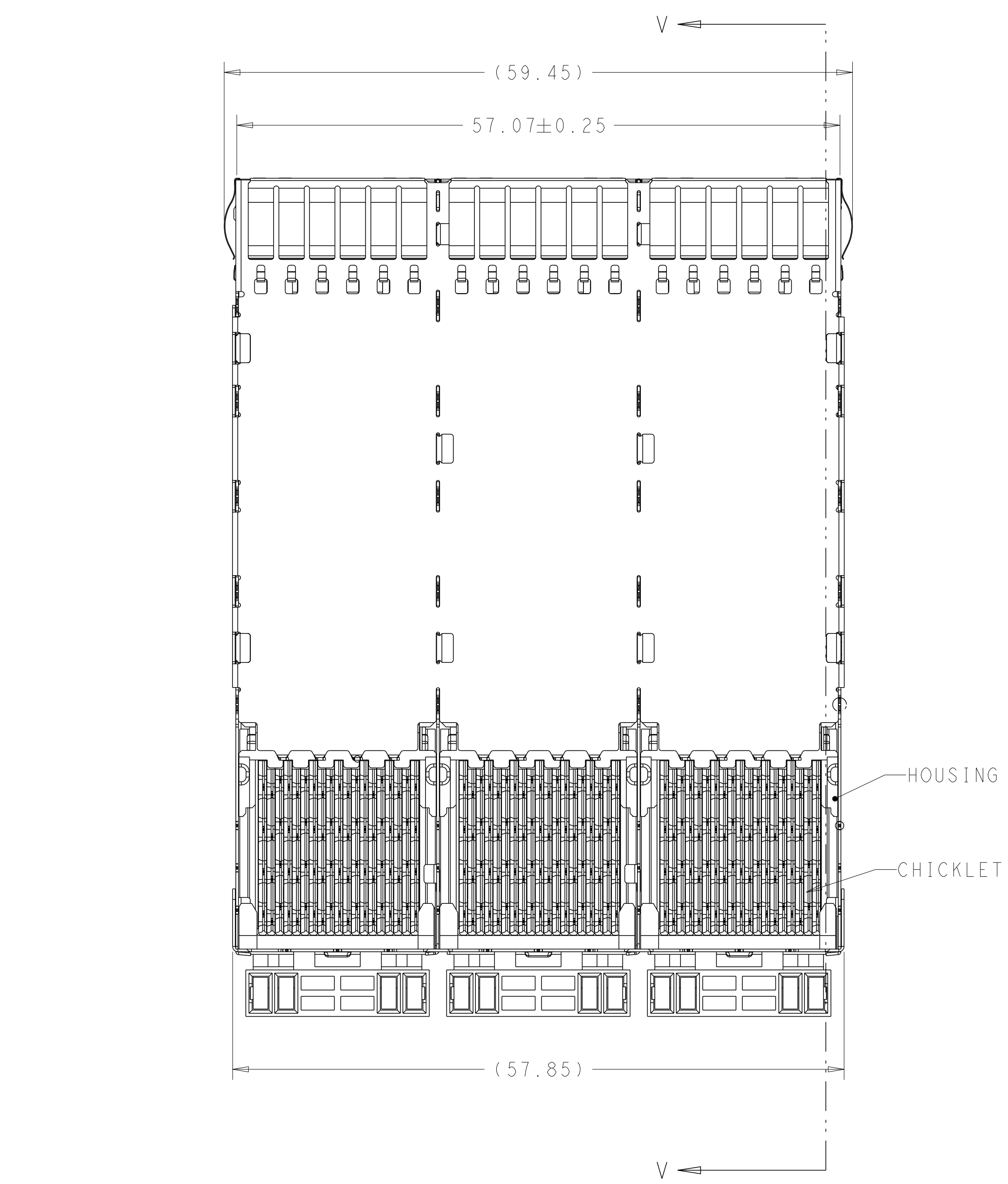
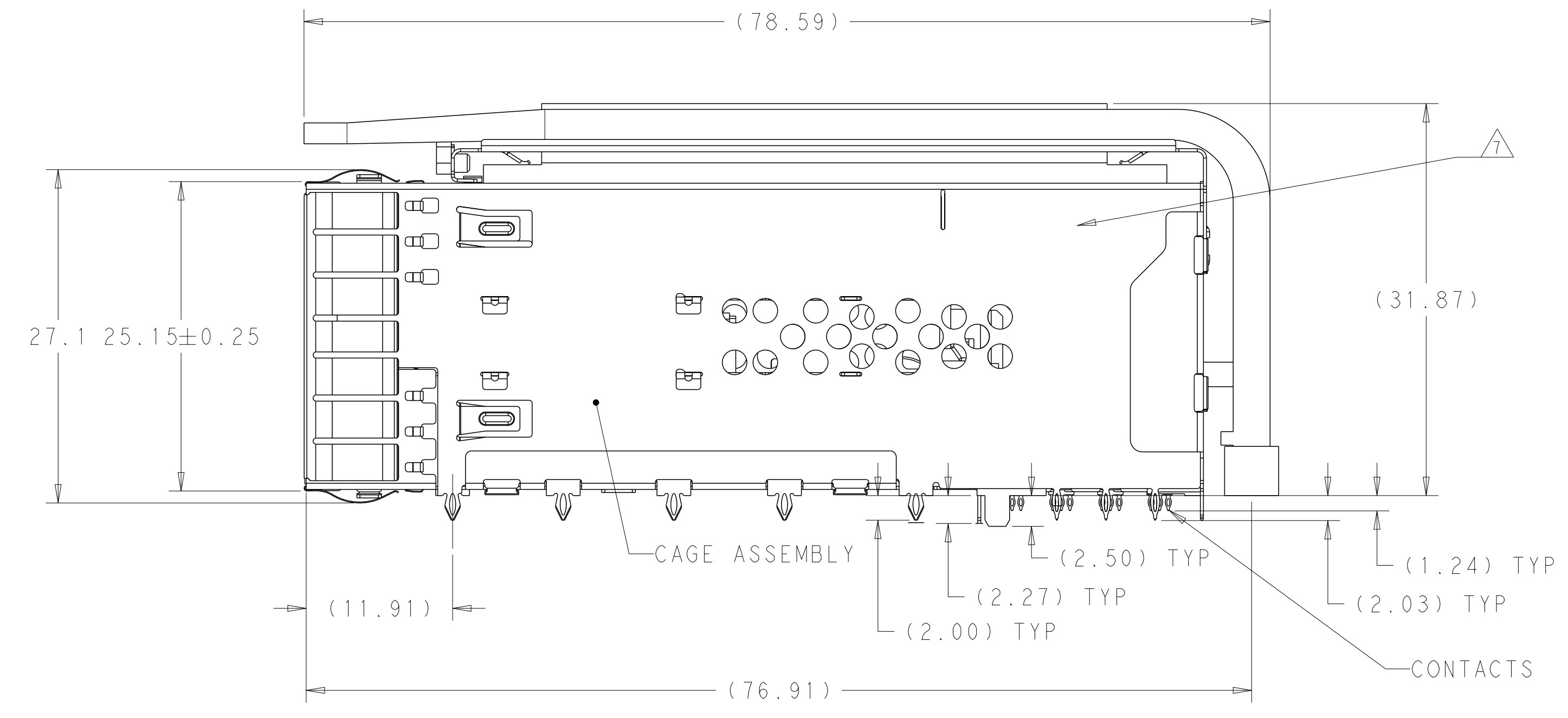
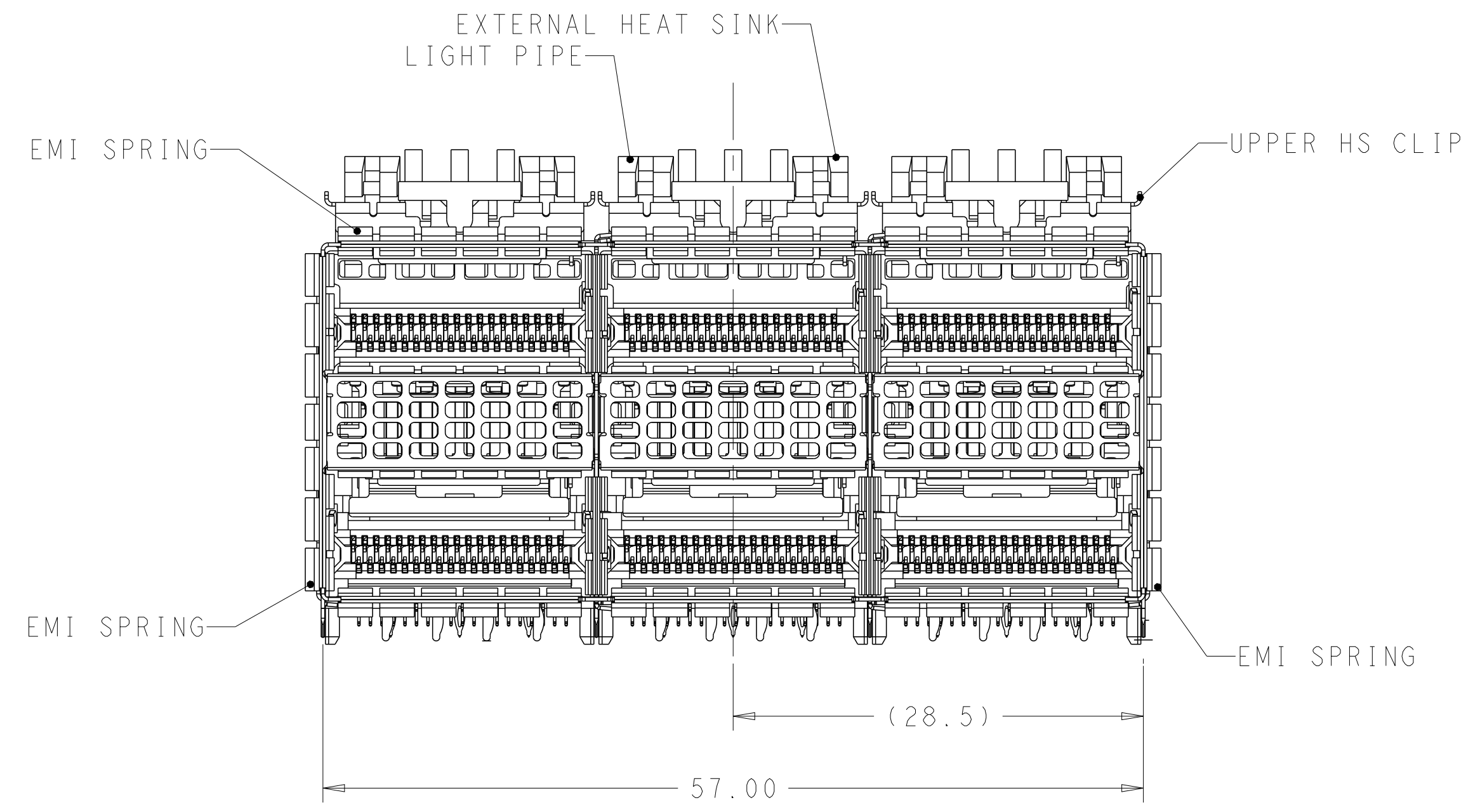


LOC		DIST		REVISIONS			
P	LTN	DESCRIPTION	DATE	DMN	APVD		
E		REVISED PER ECR-19-017405	22NOV2019	RM	SH		
F		REVISED PER ECR-20-012291	09SEP2020	RM	SH		
G		REVISED PER ECR-20-016213	11MAY2021	RM	SZ		
G1		REVISED PER ECN-23-216737	08JUN2023	AB	SZ		



- MATERIALS:  
 CAGE ASSEMBLY- NICKEL SILVER ALLOY PER ASTM B 122.  
 EMI SPRING- COPPER ALLOY, NICKEL PLATED.  
 HOUSING- POLYESTER LCP WITH 94 V-0  
 CHICKLET- POLYESTER LCP WITH 94 V-0  
 CONTACT- COPPER ALLOY.  
 LIGHTPIPE- POLYCARBONATE WITH 94 V-0  
 HEAT SINK- ALUMINUM  
 CLIP- STAINLESS STEEL
- CONTACT FINISH: 0.76µm GOLD ON MATING AREA, 0.7-1.5µm.MATT TIN ON COMPLIANT AREA, ALL OVER 1.27µm NICKEL.
- DATUM AND BASIC DIMENSION ESTABLISHED BY CUSTOMER.
- MINIMUM PCB THICKNESS OF 1.57.
- THE ENTIRE AREA OF THE CONNECTOR FOOTPRINT, INDICATED BY THE DASHED LINE, TO BE CONSIDERED THE KEEPOUT AREA FOR COMPONENTS.
- CROSS-HATCHED AREAS REPRESENT ZONES ON THE PCB THAT COME IN CONTACT WITH OR BE IN CLOSE PROXIMITY TO THE PLASTIC HOUSING OR THE CONNECTOR CAGE. INDICATED AREAS TO BE CONSIDERED TRACE FREE.
- PART NUMBER AND DATE CODE MADE IN APPROXIMATE AREA SHOWN.
- HATCHED AREA IS PLACEMENT ZONE FOR LED. LED SHOULD BE CENTERED WITHIN ZONE. RECOMMEND 0805 PACKAGE.
- LOW Br/Ci AS DEFINED IN TEC-138-702.
- HEAT SINK WITH NICKEL PLATING
- LIGHT PIPE WITH COATING
- OBSOLETE

CONTACT FINISH	DESCRIPTION	PART NUMBER
△2, △1, △0, △9	WITH HS & WITH LP	3-2299924-6
△1, △9	WITH HS & WITH LP	2-2299924-6
△2	WITHOUT UPPER HS & LP	2-2299924-4
△2, △1	WITH HS & WITH LP	1-2299924-6
△2	WITH HS & WITHOUT LP	1-2299924-3
△2	WITH HS & WITH LP	1-2299924-1
△2	WITH HS & WITH LP	1-2299924-0
△2	WITH HS & WITH LP	2299924-8
△2	WITH HS & WITH LP	2299924-7
△2	WITH HS & WITH LP	2299924-6
△1	WITH HS & WITH LP	2299924-5
△2	WITHOUT UPPER HS OR LP	2299924-4
△2	WITH HS & WITHOUT LP	2299924-3
△2	WITH HS & WITHOUT LP	2299924-2
△1	WITH HS & WITH LP	2299924-1

THIS DRAWING IS A CONTROLLED DOCUMENT. DWG: ARTHUR\_JLH 20JAN2016  
 CHK: SEAN\_HAN 20JAN2016  
 APVD: SEAN\_HAN 20JAN2016

**STE** TE Connectivity

NAME: CAGE AND CONNECTOR ASSEMBLY WITH EMI SPRING FINGERS, THRU BEZEL, 2X3 ZGSFP+ STACKED WITH HS

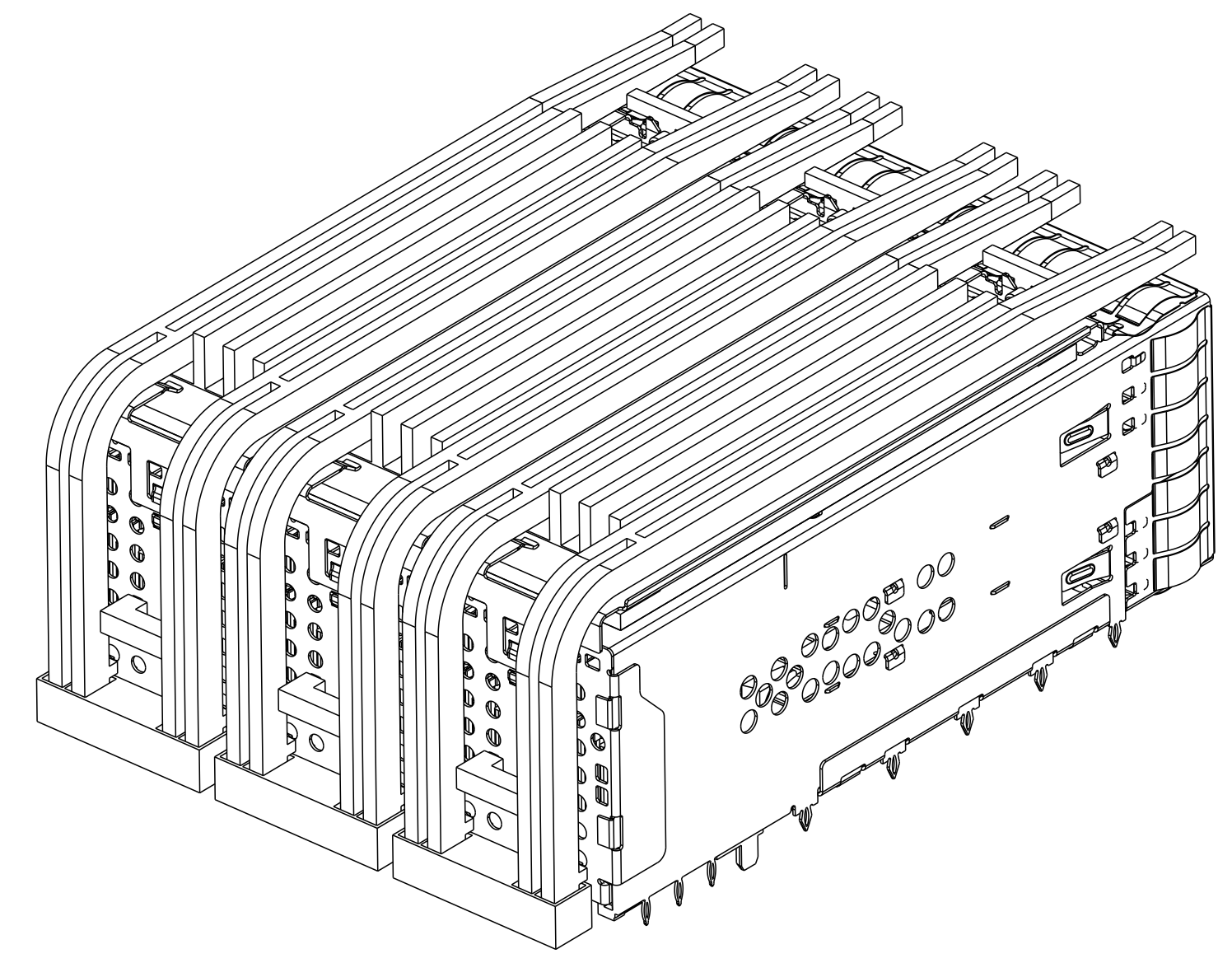
SIZE: A1 CAGE CODE: 00779 DRAWING NO: 2299924 RESTRICTED TO

MATERIAL: SEE NOTE 1 TOLERANCES UNLESS OTHERWISE SPECIFIED: SEE NOTE 2

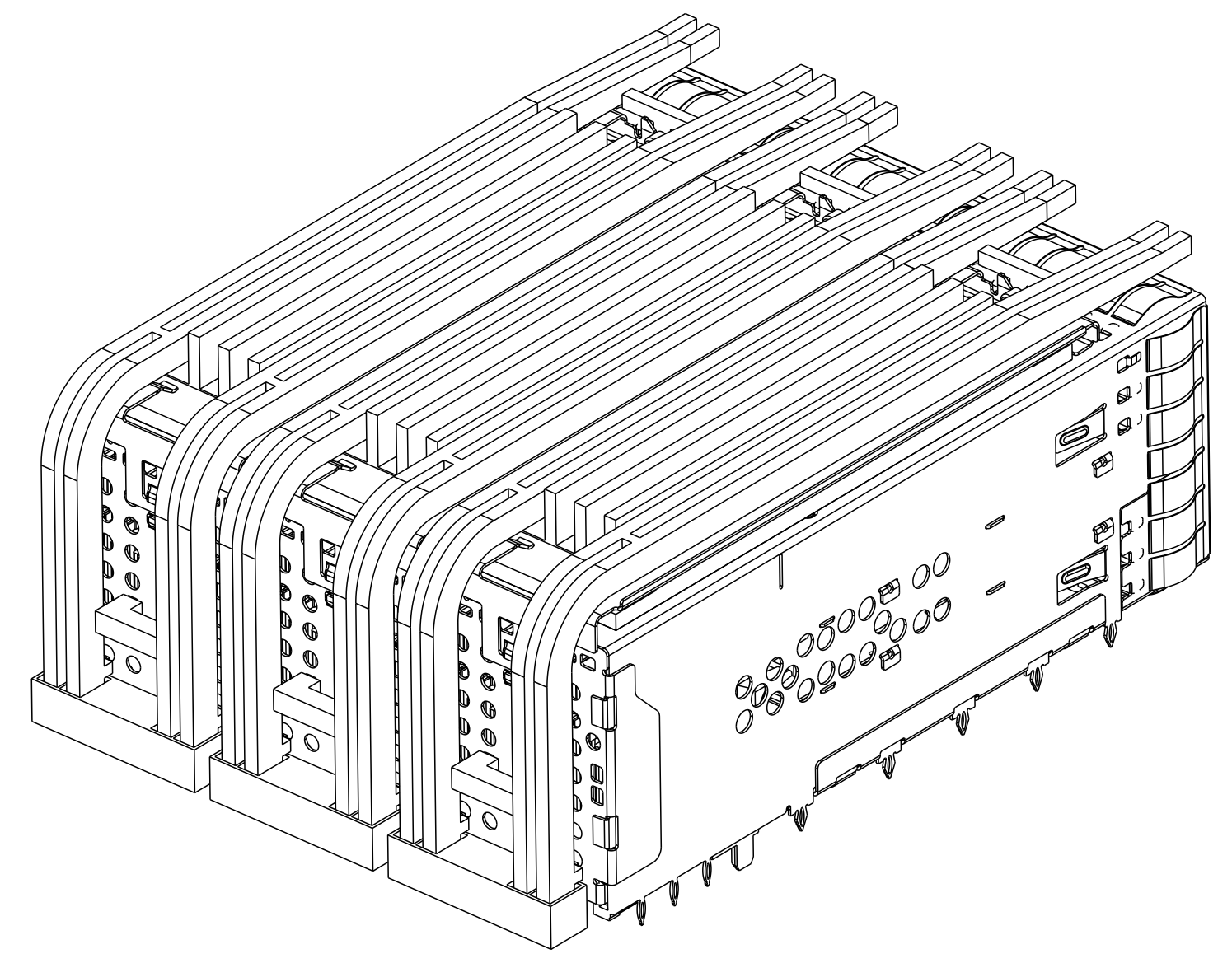
WEIGHT: - APPLICATION SPEC: -

CUSTOMER DRAWING SCALE: 1:1 SHEET 1 OF 10 REV: G1

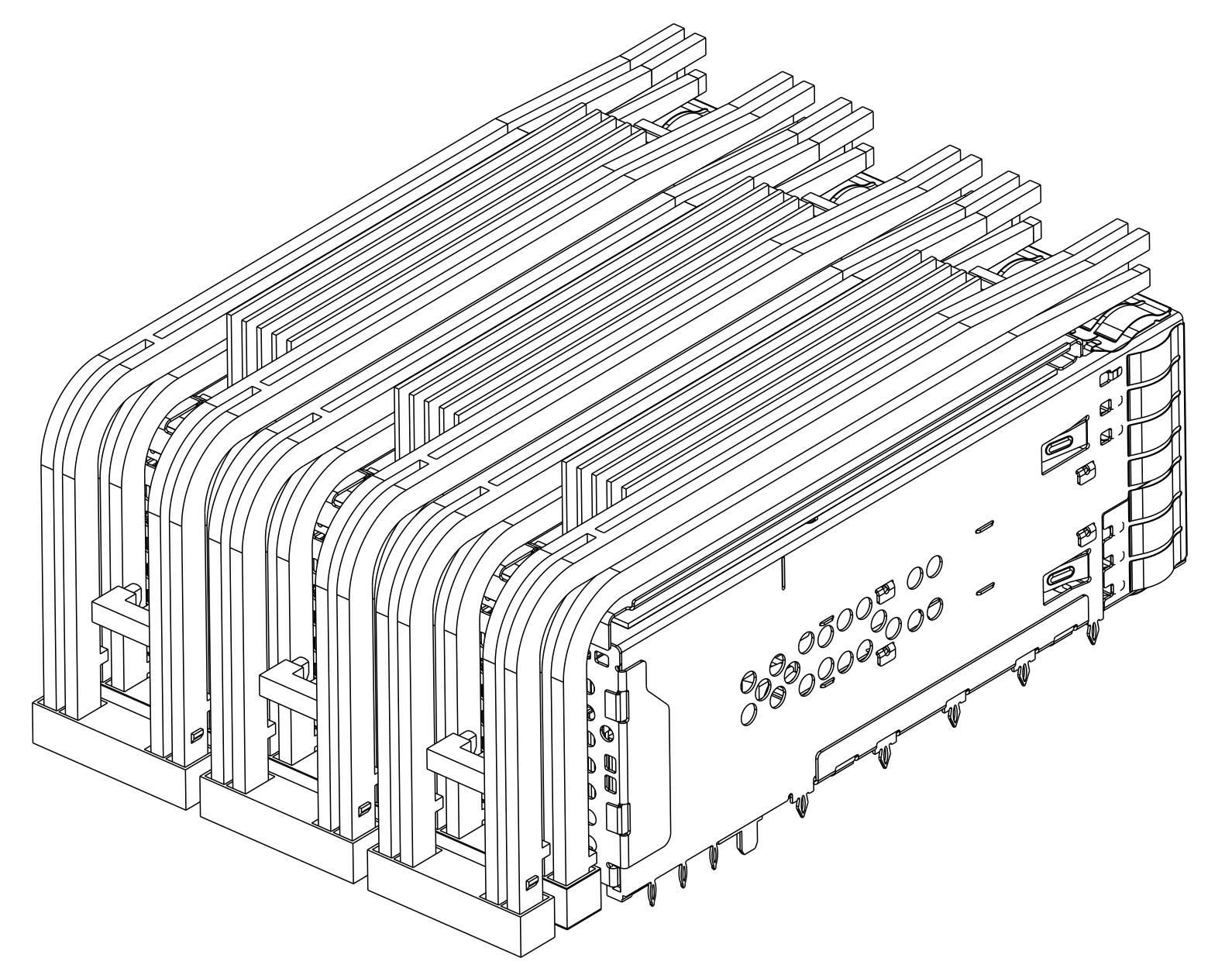
LOC		DIST		REVISIONS			
P	LYR	DATE	OWN	APVD	DESCRIPTION	DATE	OWN
-	-	-	-	-	SEE SHEET 1	-	-



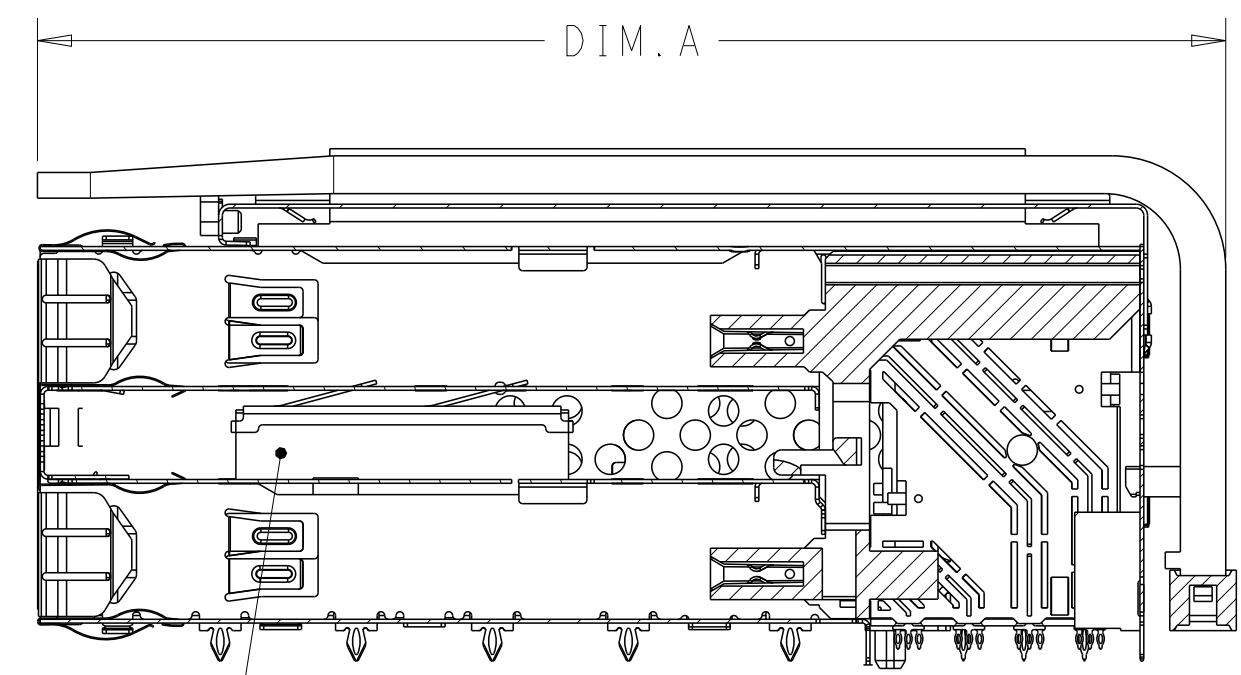
2299924-1  
 1-2299924-1  
 AS SHOWN  
 SCALE 2:1



2299924-5 AS SHOWN  
 HAS THE SAME APPEARANCE WITH 2299924-1  
 BUT DIFFERENT INTERNAL HEAT SINK  
 SCALE 2:1



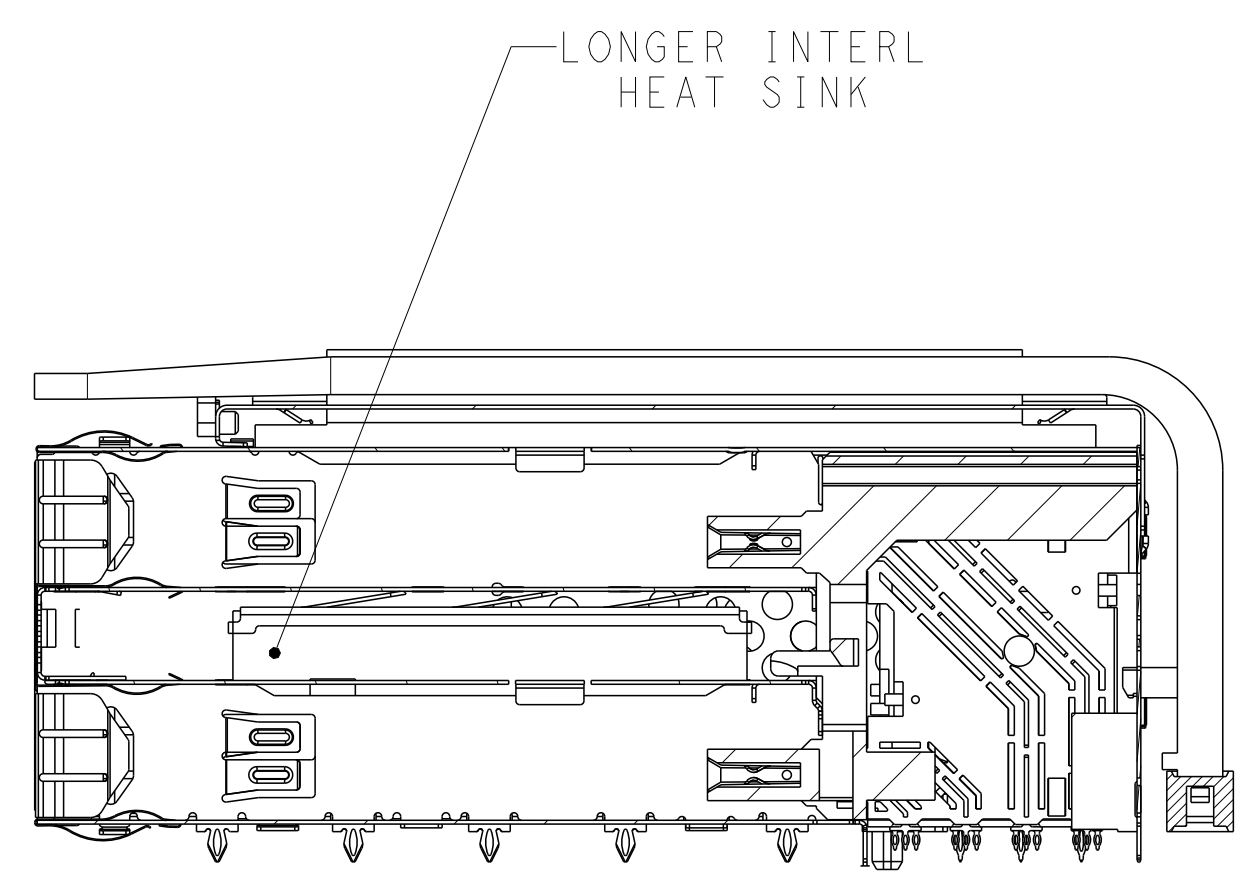
2299924-7  
 SCALE 2:1



SHORT INTERNAL  
 HEAT SINK

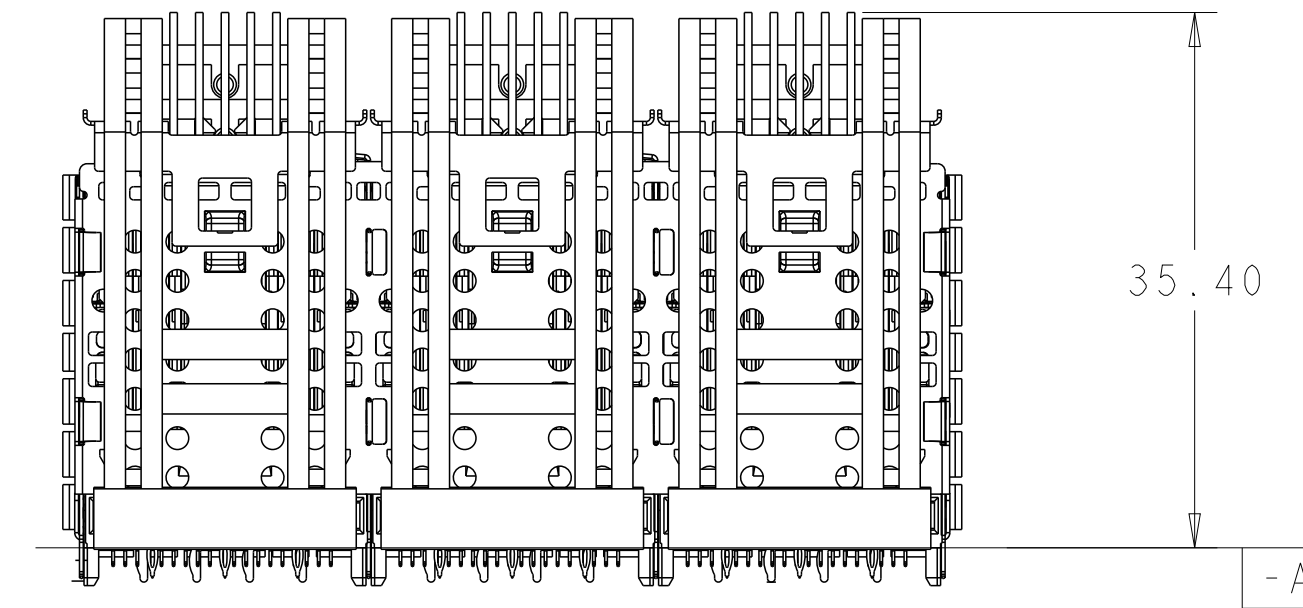
2299924-1  
 1-2299924-1  
 SECTION VIEW  
 SECTION V-V  
 SCALE 2:1

75.3	1-2299924-1
78.59	2299924-1
DIM.A	PART NUMBER

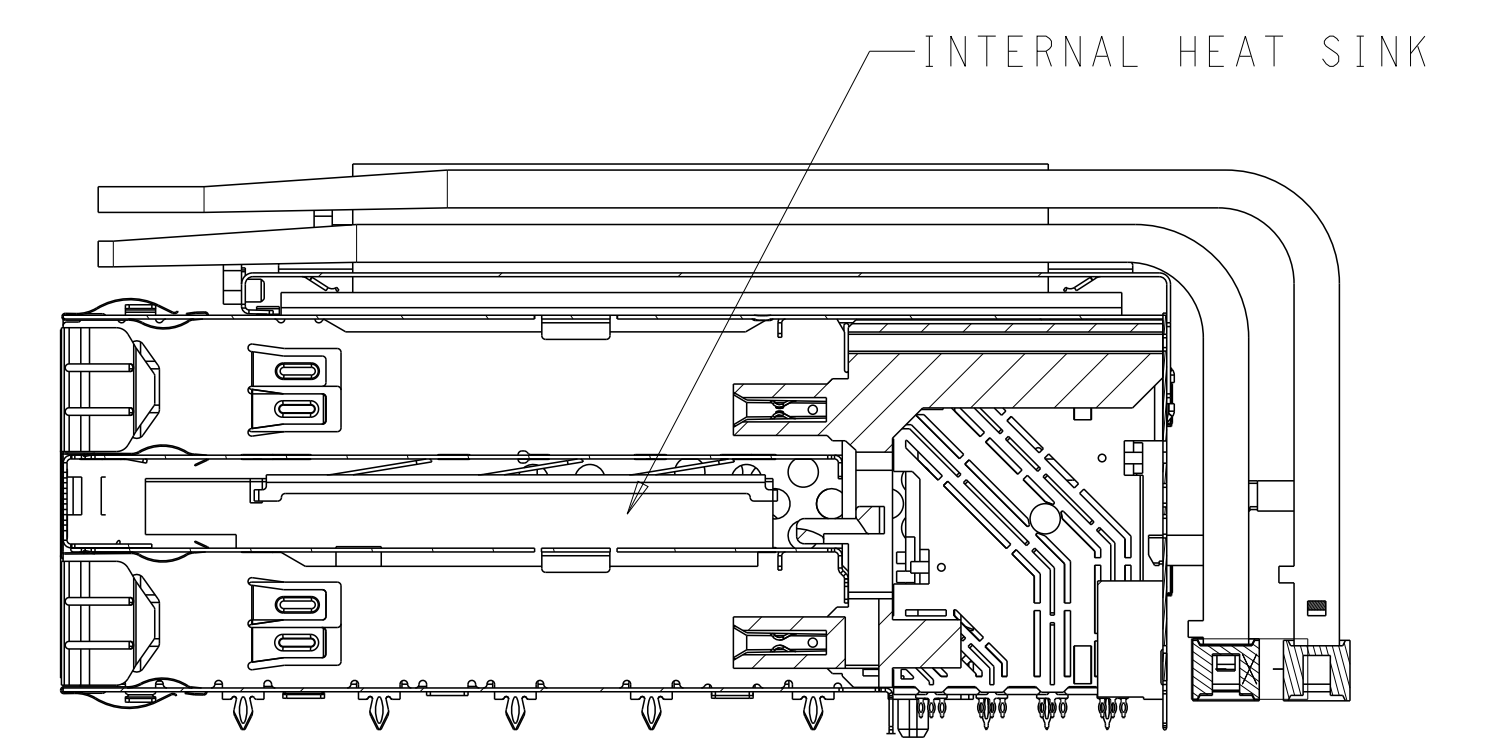


LONGER INTERL  
 HEAT SINK

2299924-5 SECTION VIEW  
 THE SAME AS 2299924-1 EXCEPT THE LONGER INTER HEAT SINK  
 SECTION V-V  
 SCALE 2:1



2299924-7  
 SCALE 2:1

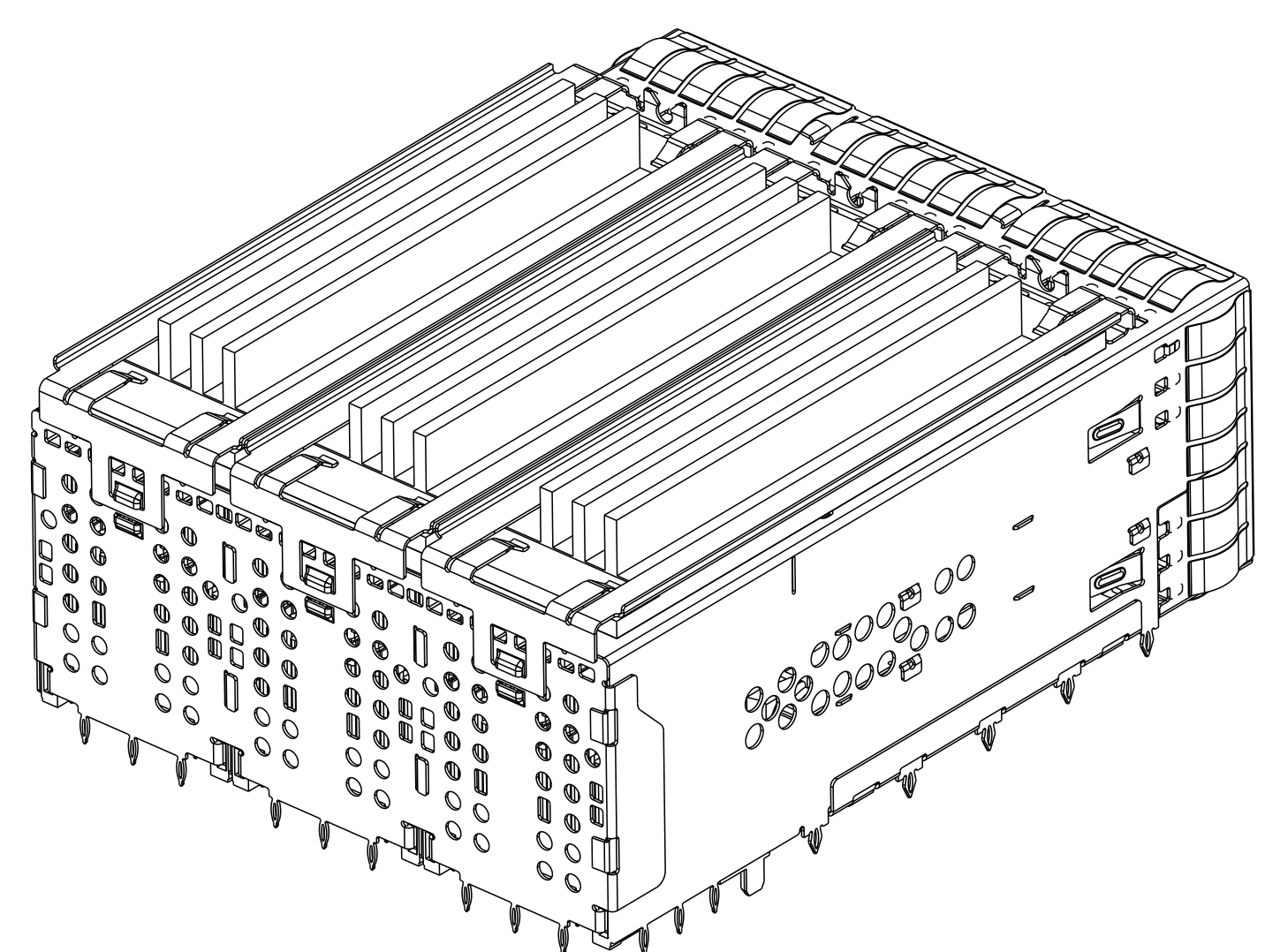


INTERNAL HEAT SINK

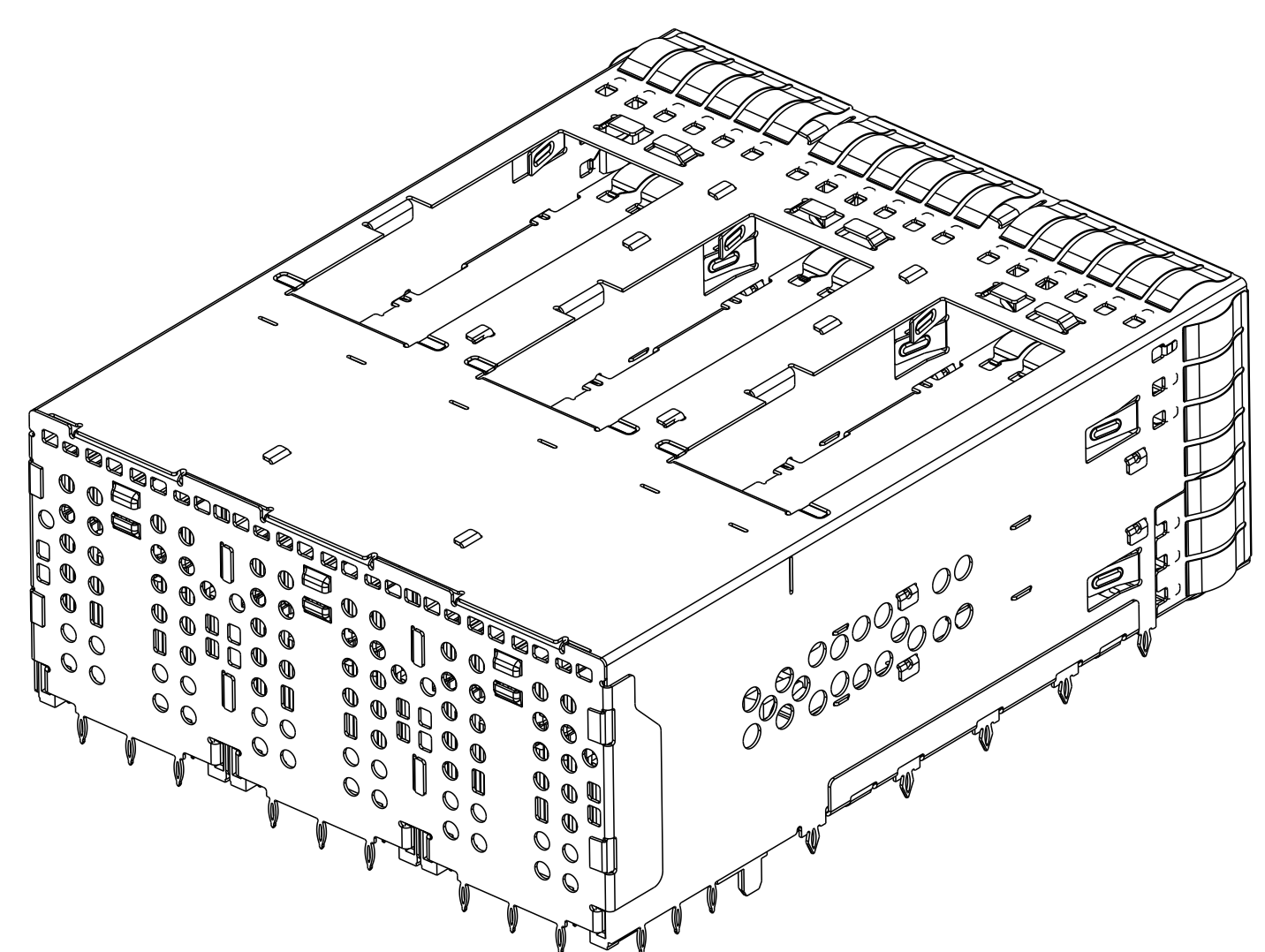
2299924-7  
 SECTION V-V  
 SCALE 2:1

THIS DRAWING IS A CONTROLLED DOCUMENT.		OWN ARTHUR JIN 20JAN2016	TE Connectivity	
DIMENSIONS:		CHK SEAN HAN 20JAN2016		
mm	0 PLC ±	APVD SEAN HAN 20JAN2016	NAME	
	1 PLC ±0.25	PRODUCT SPEC	CAGE AND CONNECTOR ASSEMBLY WITH EMI SPRING FINGERS, THRU BEZEL, 2X3 ZOSFP+ STACKED WITH HS	
	2 PLC ±0.15	APPLICATION SPEC		
	3 PLC ±	SIZE		A1
	4 PLC ±	CAGE CODE		00779
MATERIAL	FINISH	WEIGHT	DRAWING NO	RESTRICTED TO
SEE NOTE 1	SEE NOTE 2	CUSTOMER DRAWING	©=2299924	SCALE 1:1 SHEET 2 OF 10 REV G1

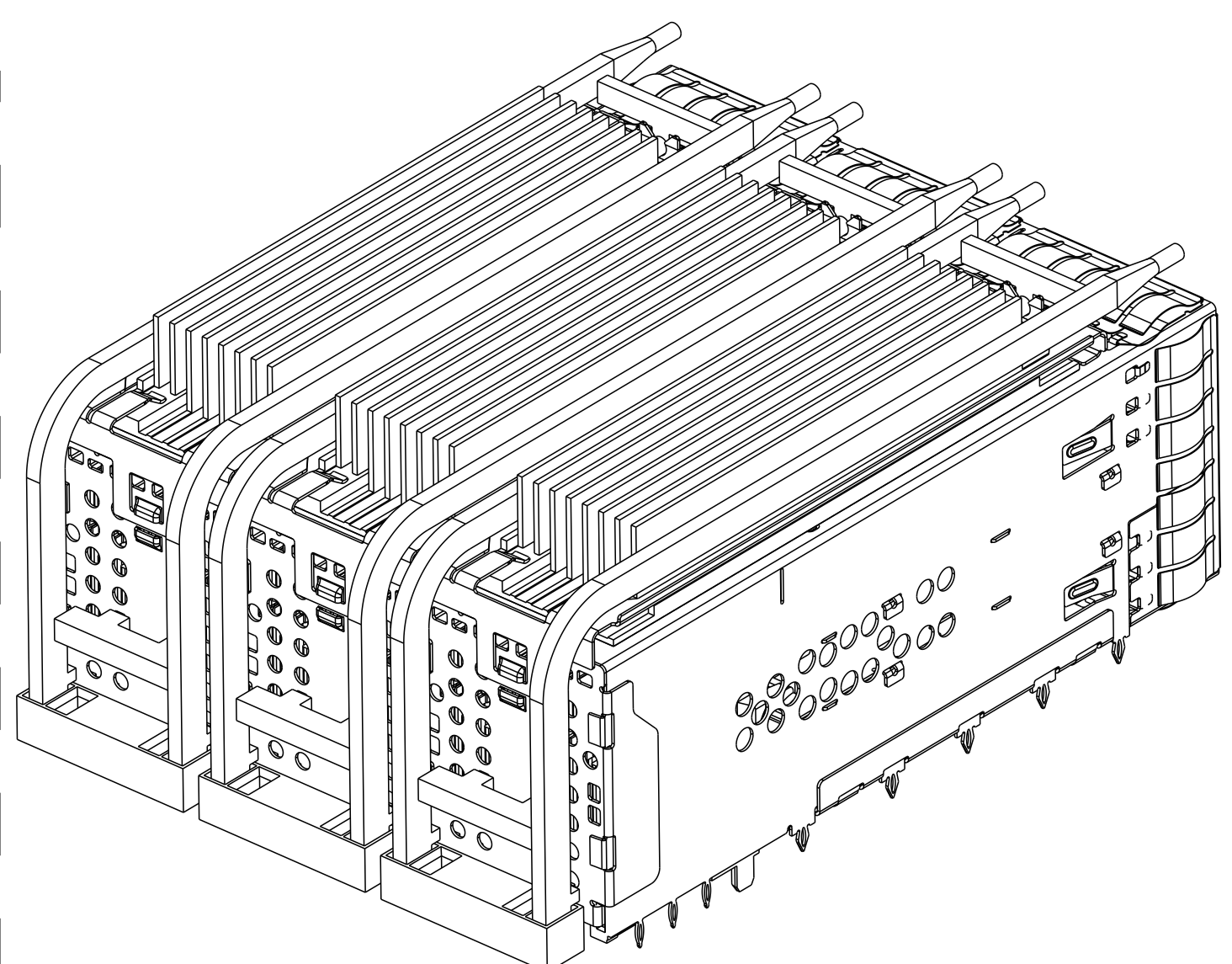
LOC	DIST	REVISIONS					
GP	00	P	LYR	DESCRIPTION	DATE	OWN	APVD
		-		SEE SHEET 1			



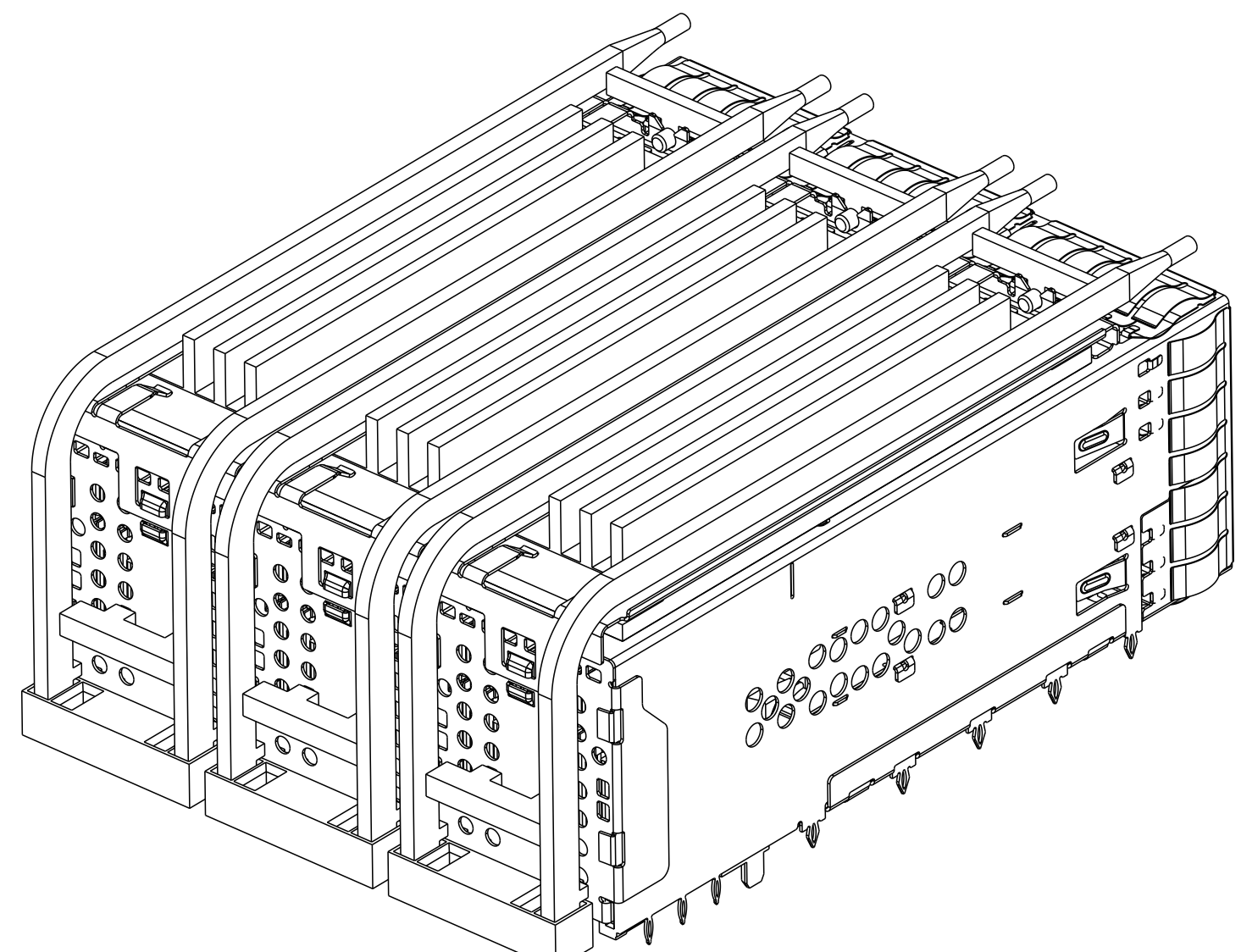
2299924-2 AS SHOWN  
 THE SAME AS 2299924-5 EXCEPT  
 W/O LIGHT PIPE AND ORGANIZER  
 SCALE 2:1



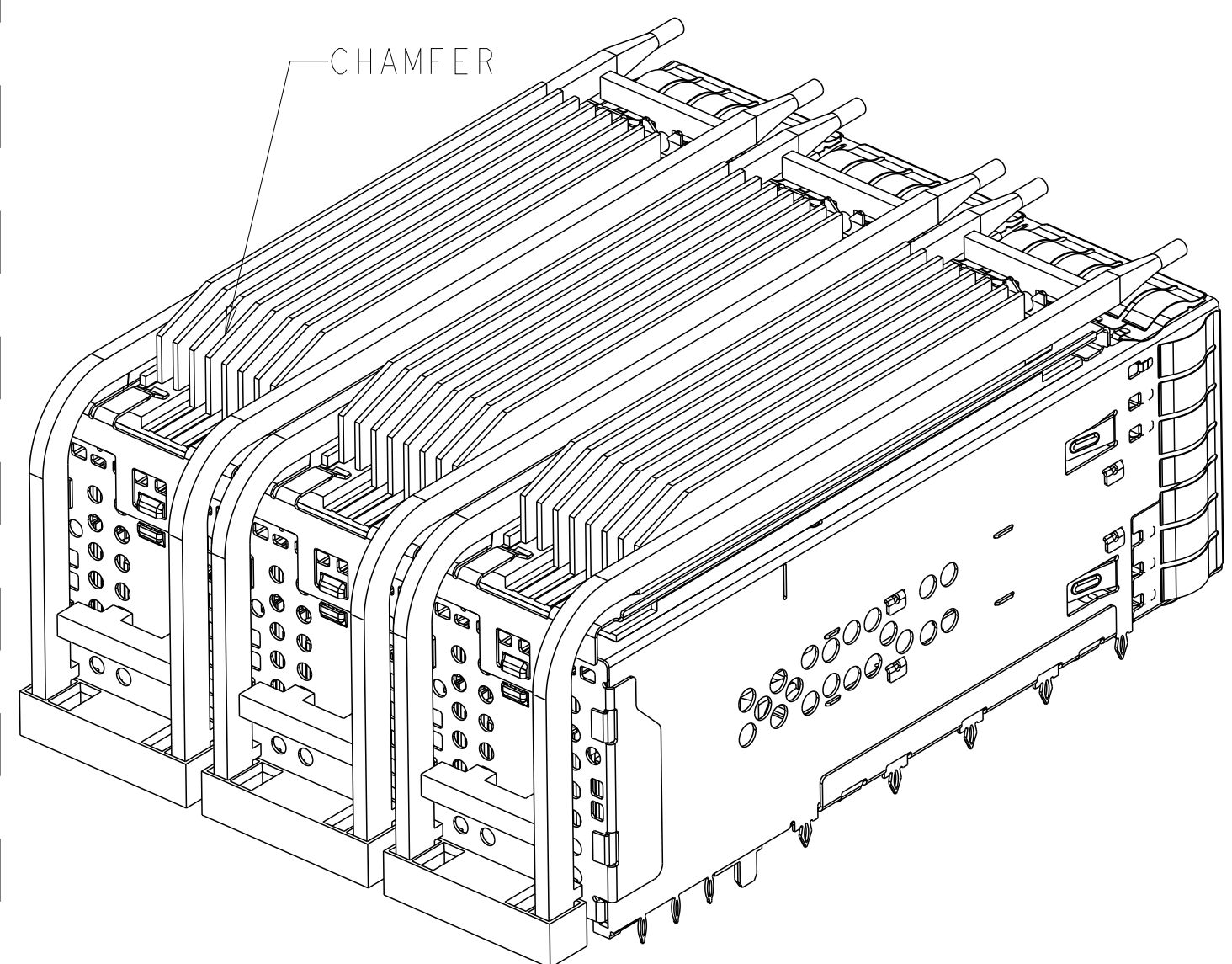
2299924-4 AS SHOWN  
 THE SAME AS 2299924-2 EXCEPT  
 WITHOUT EXTERNAL HEAT SINK AND LP  
 SCALE 2:1



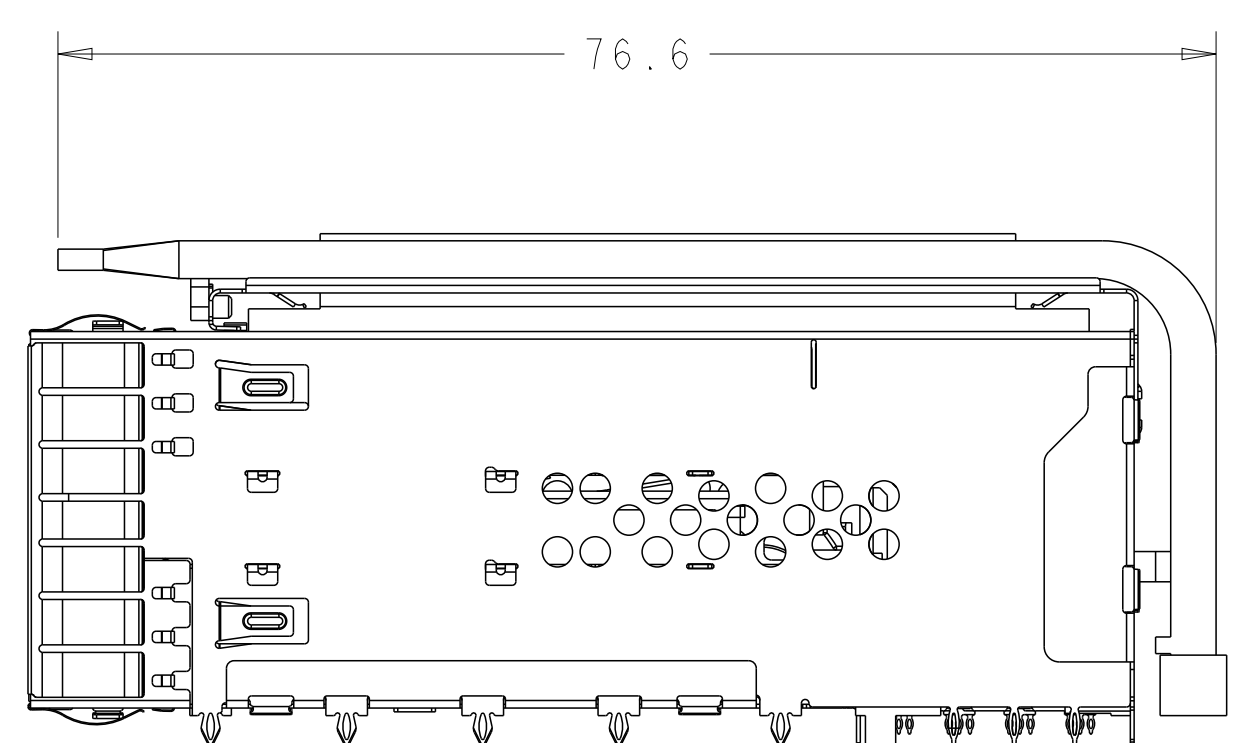
2299924-6  
 SCALE 2:1



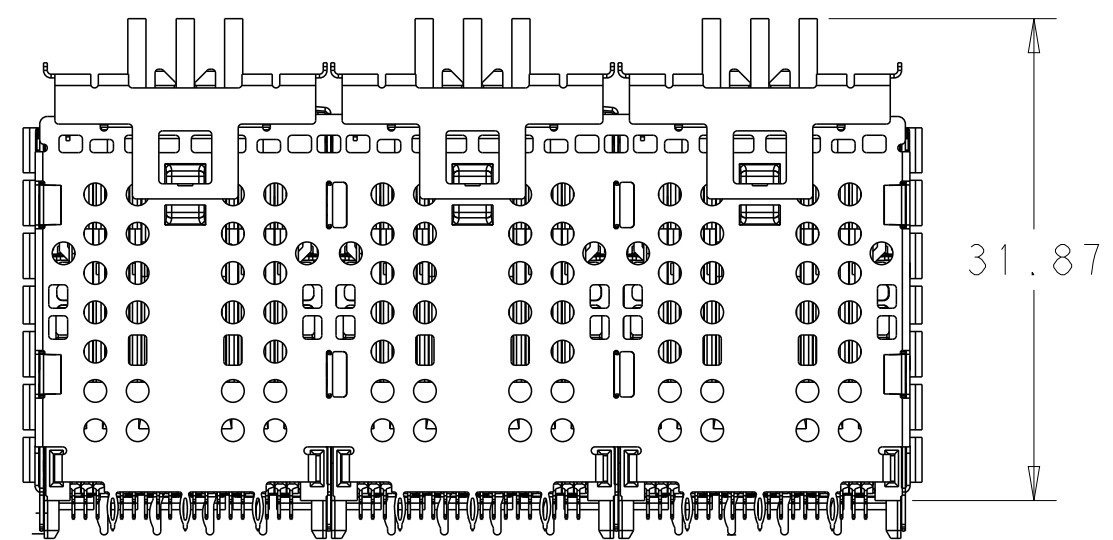
1-2299924-0  
 SCALE 2:1



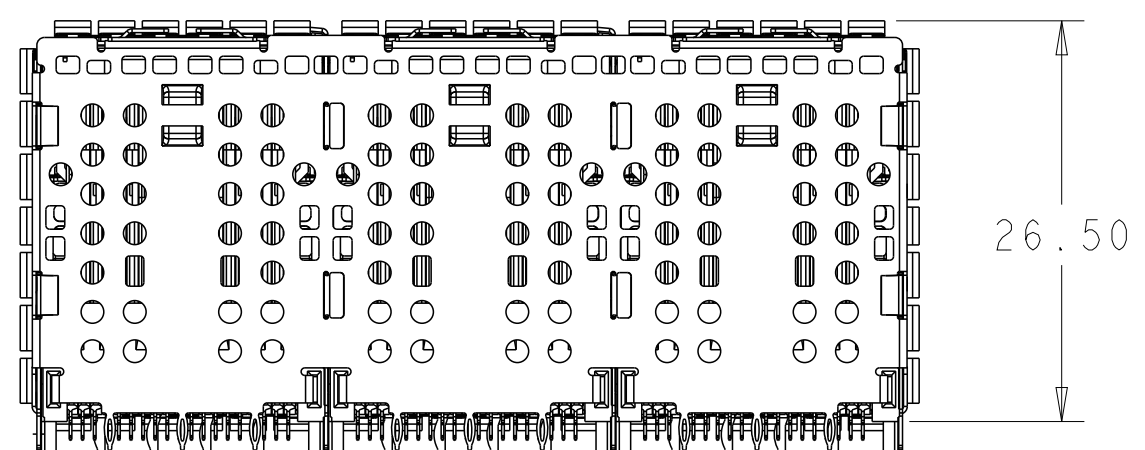
1-2299924-6  
 2-2299924-6  
 SCALE 2:1



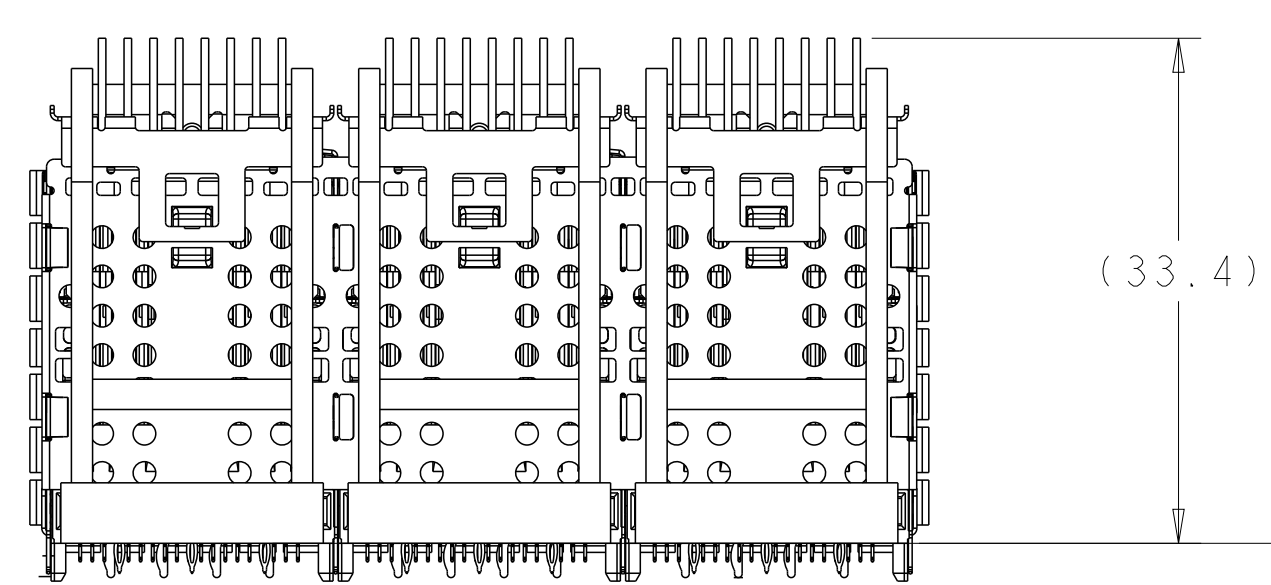
SCALE 2:1



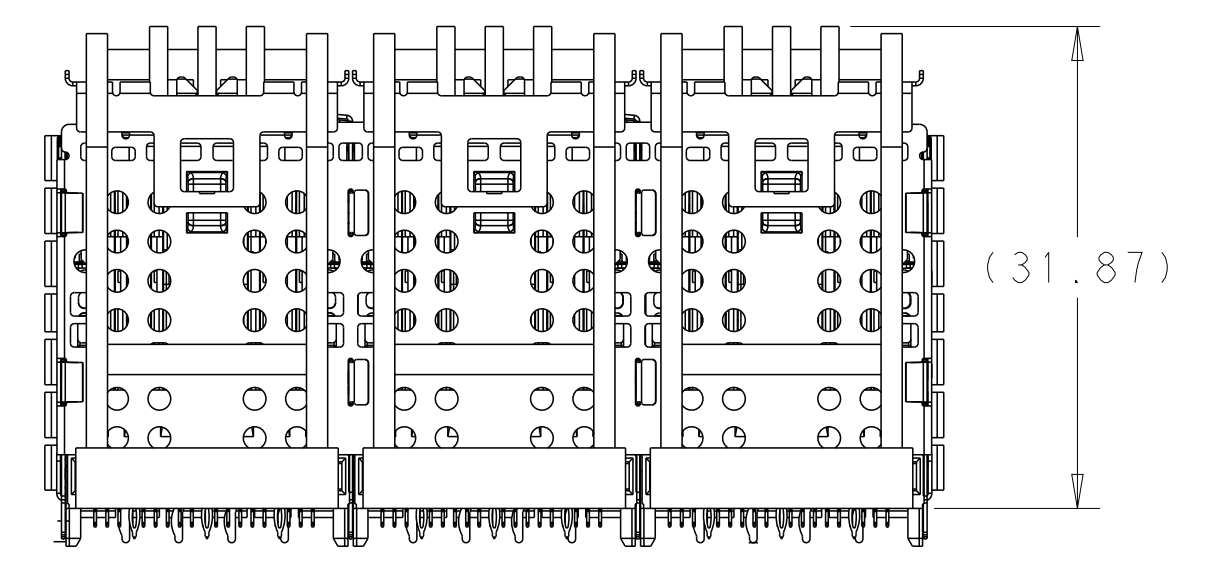
2299924-2  
 SCALE 2:1



2299924-4  
 SCALE 2:1



2299924-6  
 1-2299924-6  
 2-2299924-6  
 SCALE 2:1

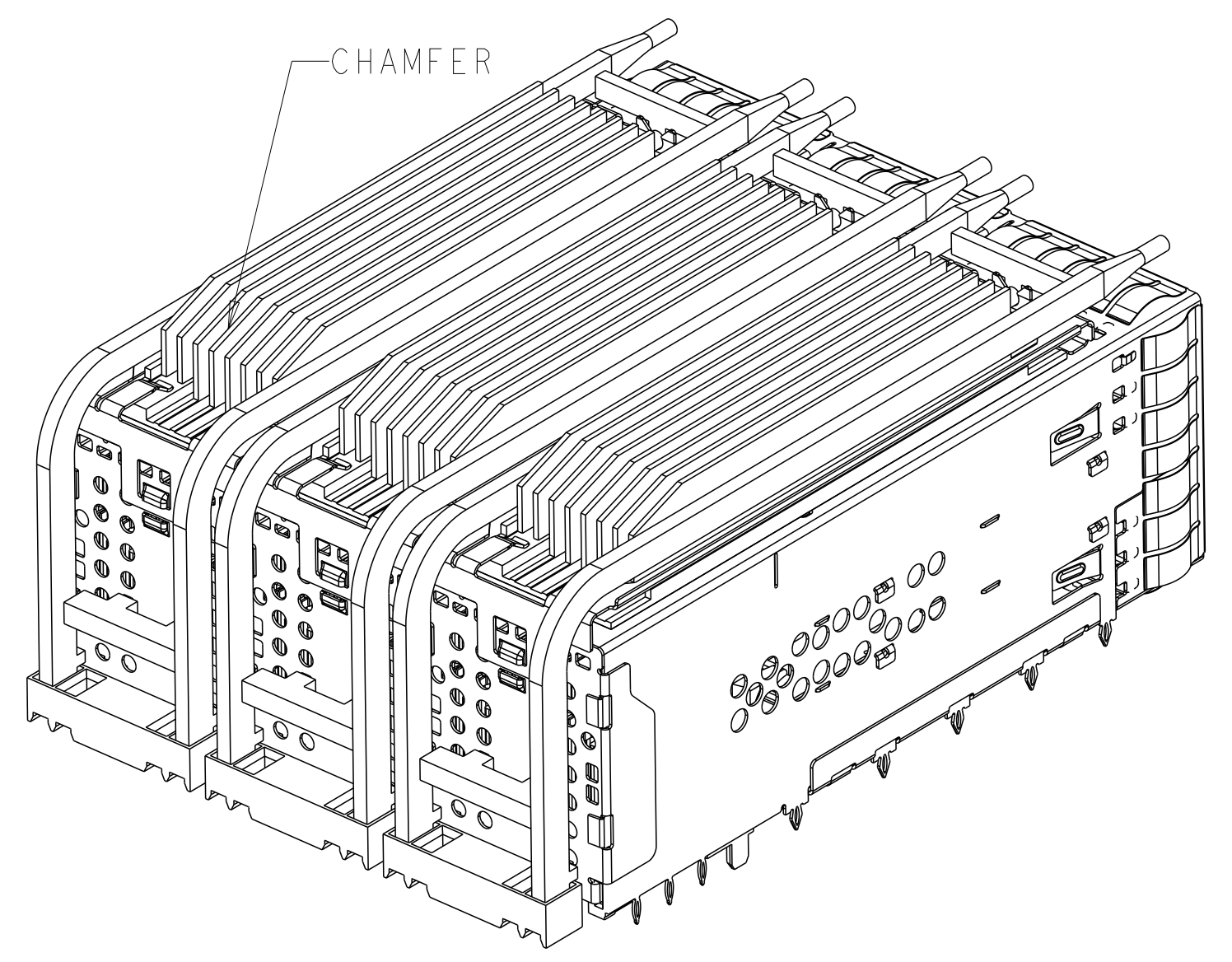


SCALE 2:1

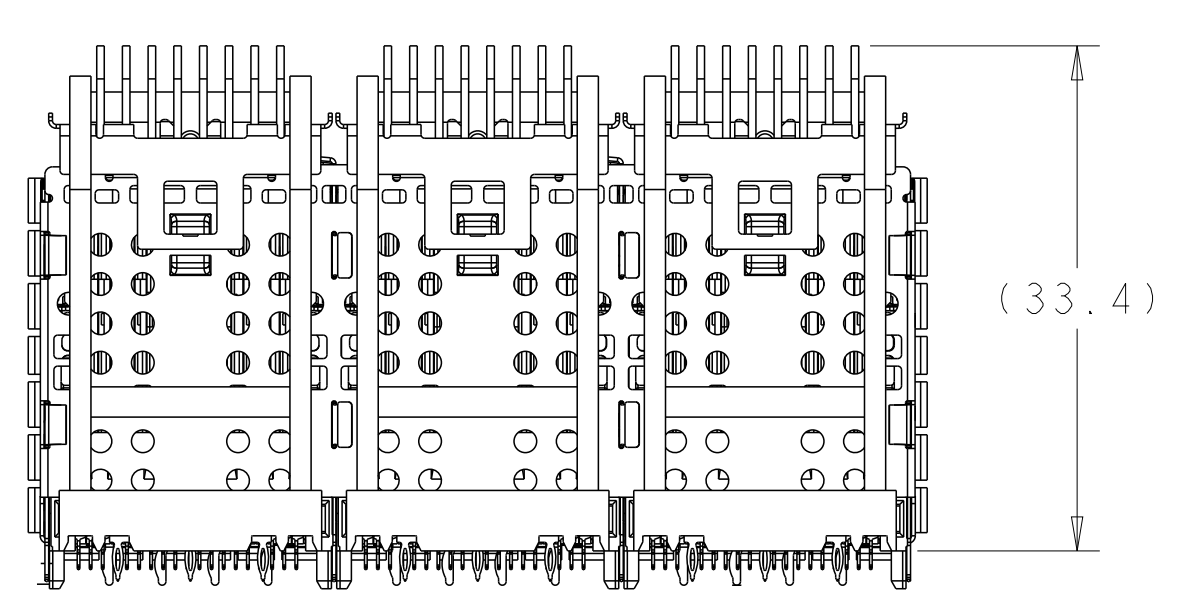
THIS DRAWING IS A CONTROLLED DOCUMENT.		OWN: ARTHUR JIN 20JAN2016	
DIMENSIONS: mm		CHK: SEAN HAN 20JAN2016	
TOLERANCES UNLESS OTHERWISE SPECIFIED:		APVD: SEAN HAN 20JAN2016	NAME: CAGE AND CONNECTOR ASSEMBLY WITH EMI SPRING FINGERS, THRU BEZEL, 2X3 ZOSFP+ STACKED WITH HS
0 PLC ± 1 PLC ±0.25 2 PLC ±0.15 3 PLC ± 4 PLC ± ANGLES ± FINISH ±		PRODUCT SPEC APPLICATION SPEC SIZE: A1 CAGE CODE: 00779 DRAWING NO: C=2299924 WEIGHT: - CUSTOMER DRAWING	RESTRICTED TO
MATERIAL: SEE NOTE 1		SCALE: 1:1 SHEET 3 OF 10 REV: G1	



LOC	DIST	REVISIONS			
P	LTN	DESCRIPTION	DATE	DWN	APVD
-	-	SEE SHEET 1	-	-	-



3-229924-6  
 SCALE 2:1



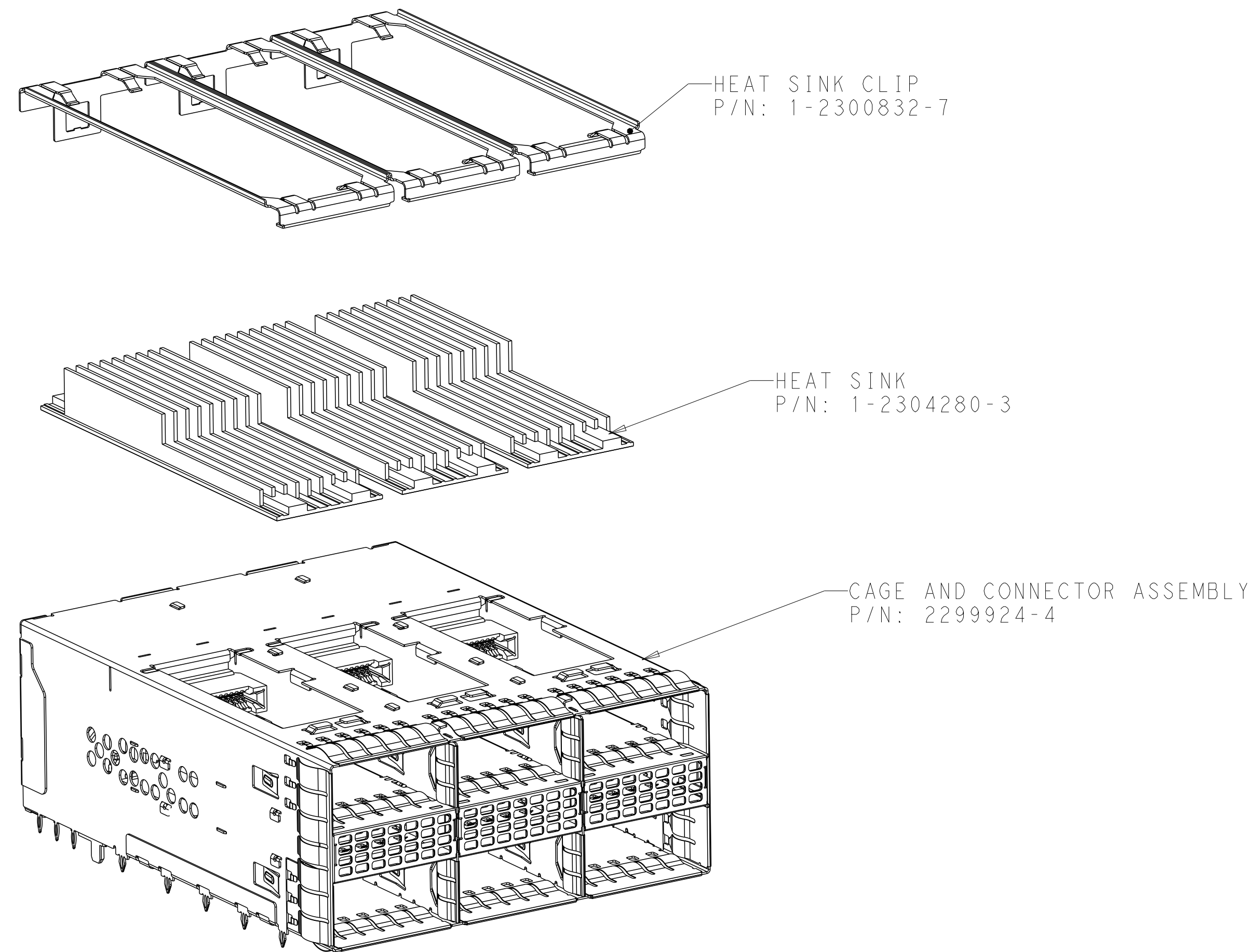
3-229924-6  
 SCALE 2:1

THIS DRAWING IS A CONTROLLED DOCUMENT.		OWN: ARTHUR JLN 20JAN2016	
DIMENSIONS: mm		CHK: SEAN HAN 20JAN2016	
TOLERANCES UNLESS OTHERWISE SPECIFIED:		APVD: SEAN HAN 20JAN2016	NAME: CAGE AND CONNECTOR ASSEMBLY WITH EMI SPRING FINGERS, THRU BEZEL, 2X3 ZQSFP+ STACKED WITH HS
0 PLC ± 1 PLC ±0.25 2 PLC ±0.15 3 PLC ± 4 PLC ± ANGLES ± FINISH ±		PRODUCT SPEC: APPLICATION SPEC: WEIGHT:	
MATERIAL: SEE NOTE 1		FINISH: SEE NOTE 2	SIZE: A1 CAGE CODE: 00779 DRAWING NO: C=229924 RESTRICTED TO: CUSTOMER DRAWING
4805 (3/11)		SCALE: 1:1	SHEET 4 OF 10 REV G1

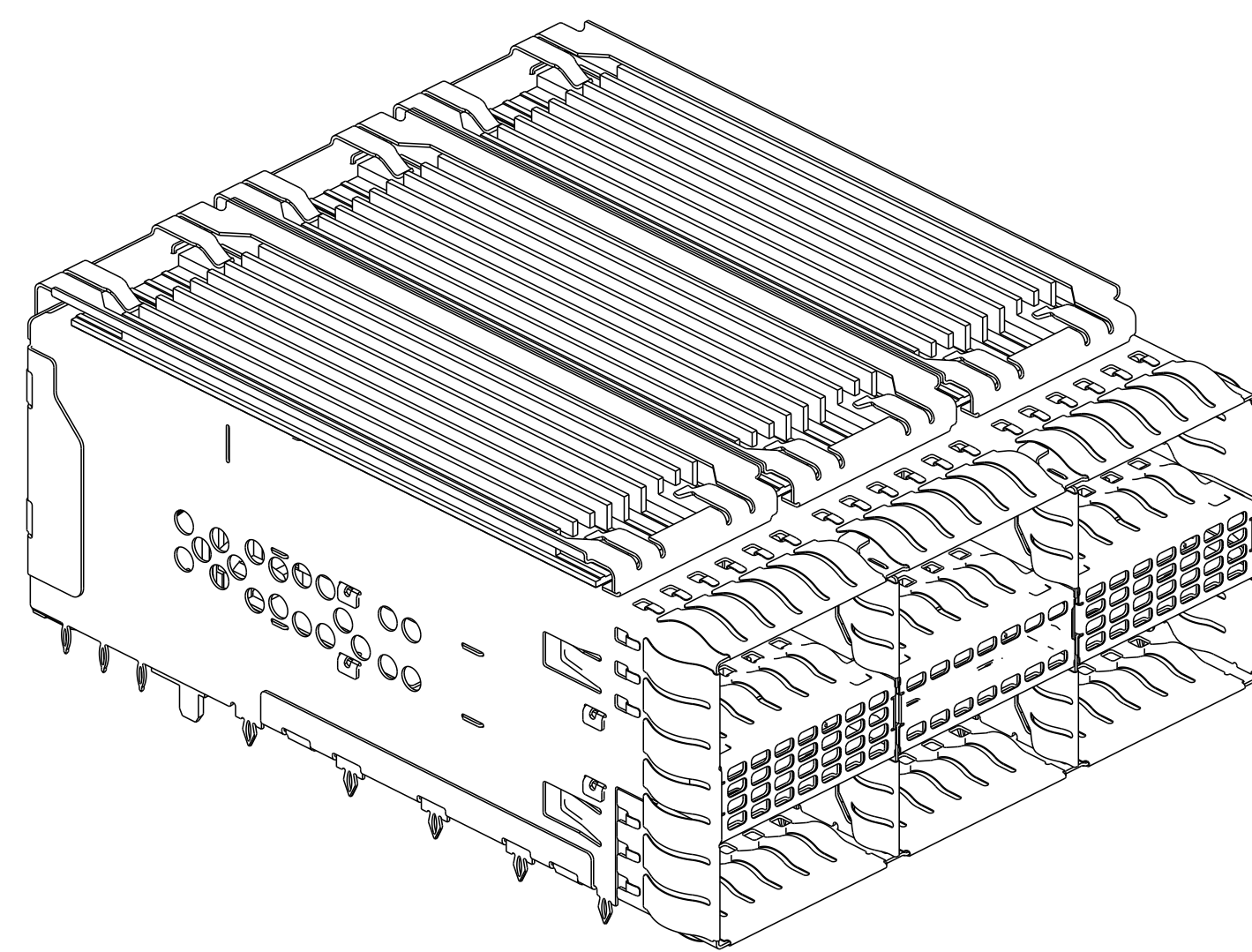


LOC	DIST	REVISIONS					
GP	00	P	LTN	DESCRIPTION	DATE	OWN	APVD
-	-	-	-	SEE SHEET 1	-	-	-

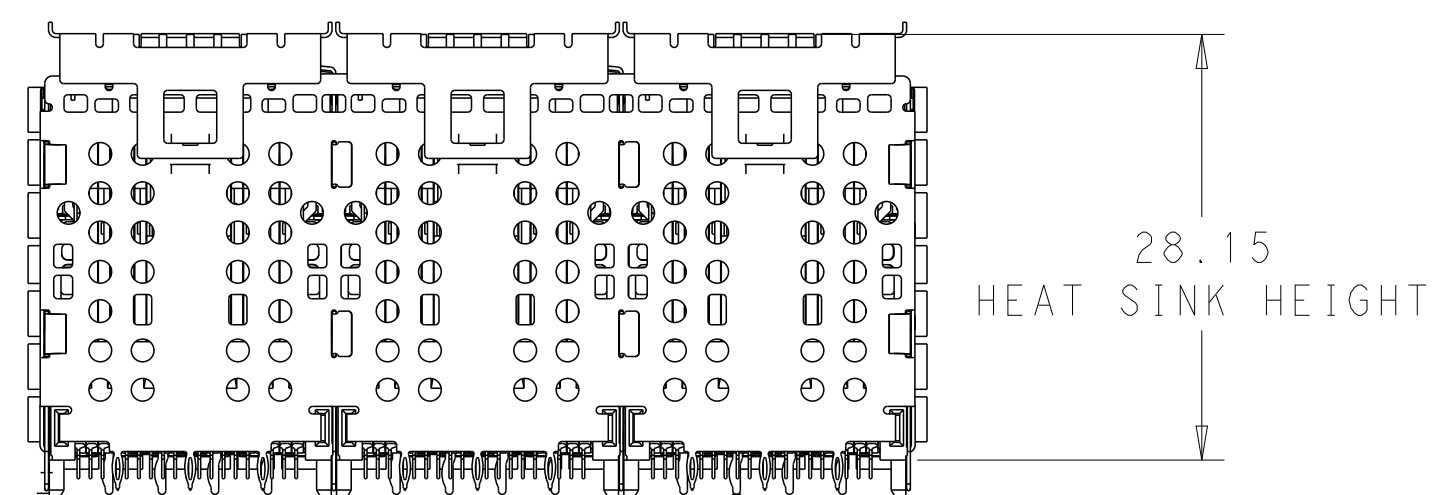
2299924-3 AS SHOWN, KIT PACKAGE



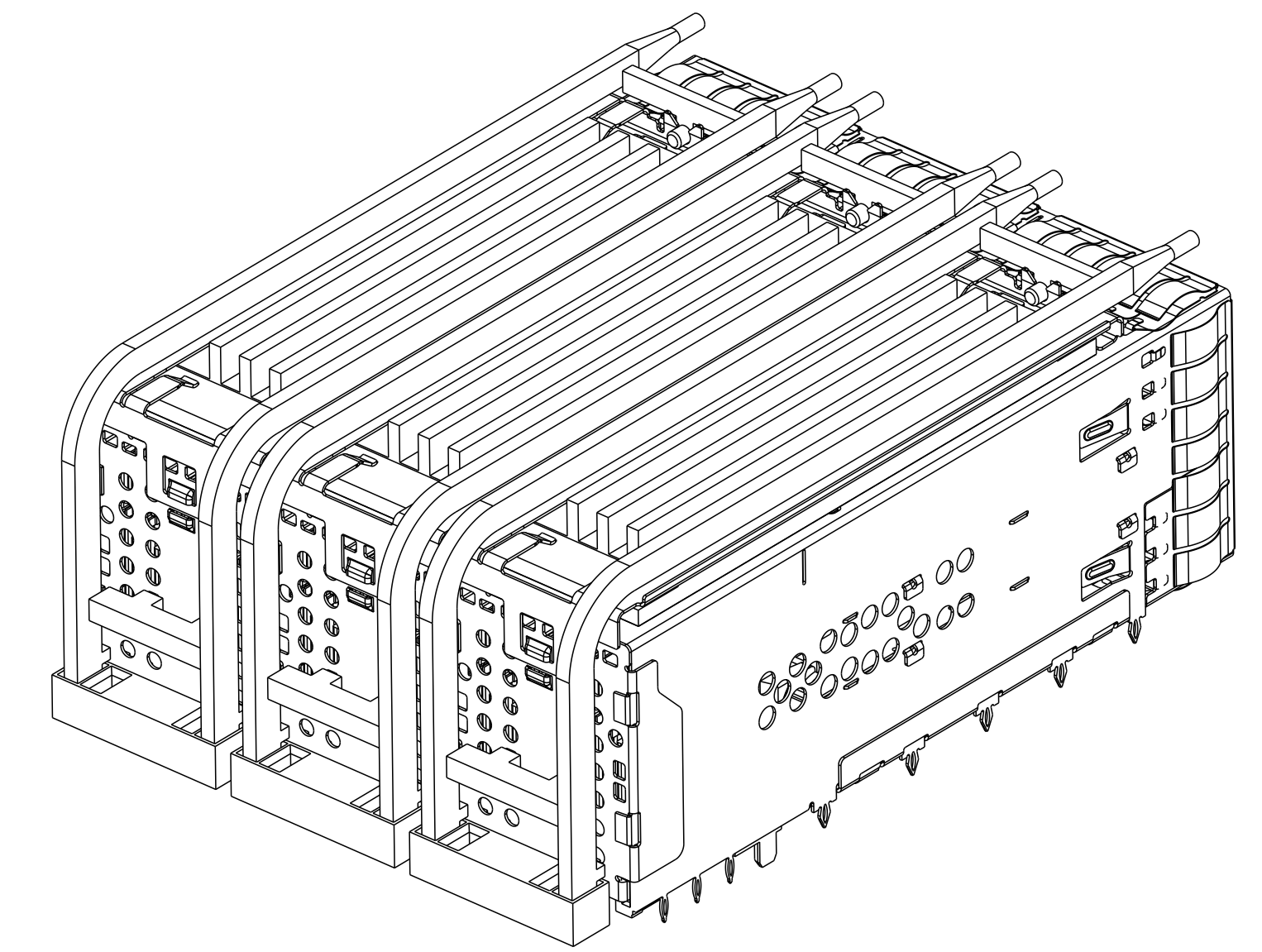
SCALE 2:1



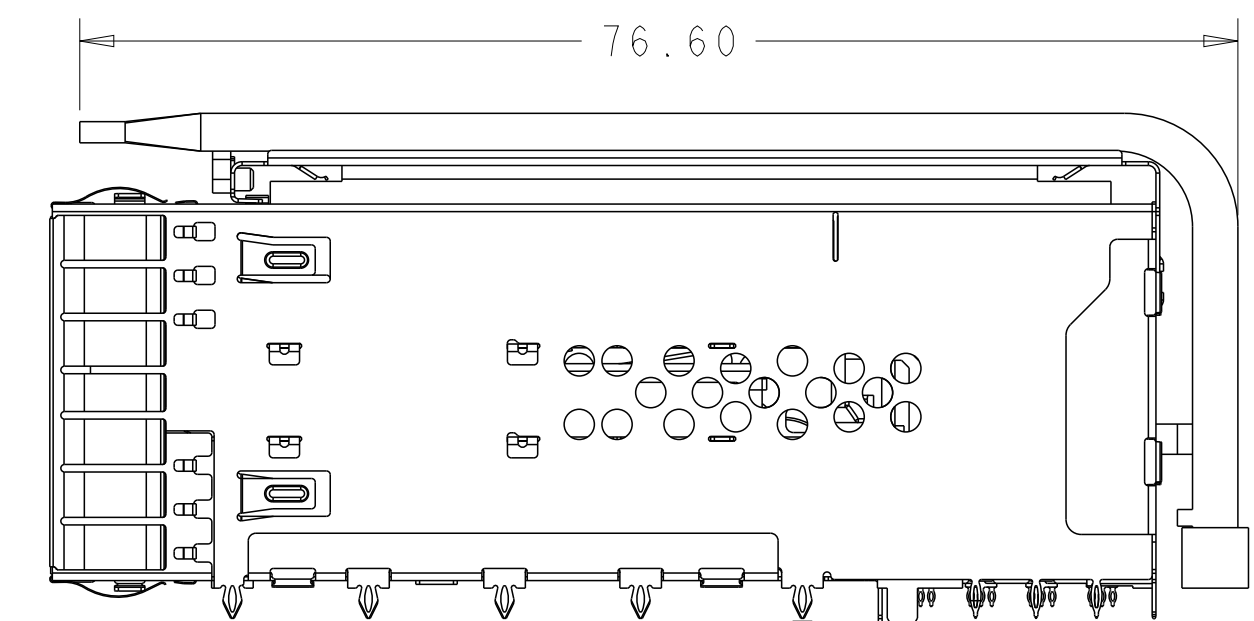
SCALE 2:1



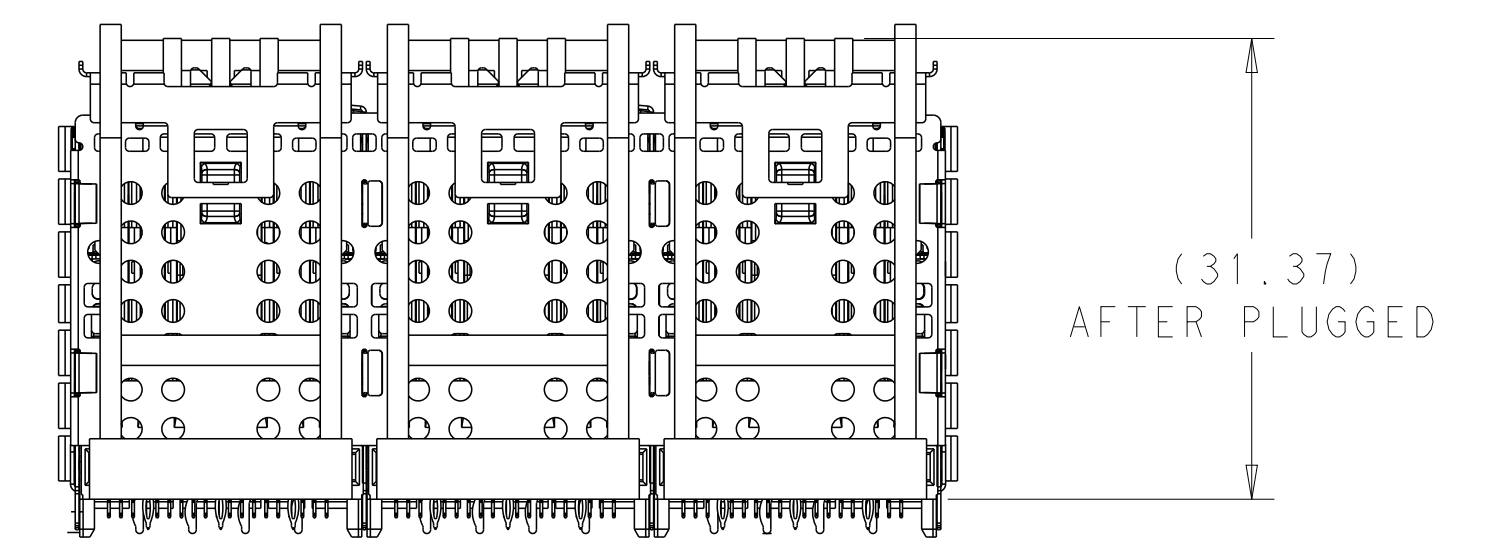
1-2299924-3 AS SHOWN  
SCALE 2:1



SCALE 2:1



SCALE 2:1

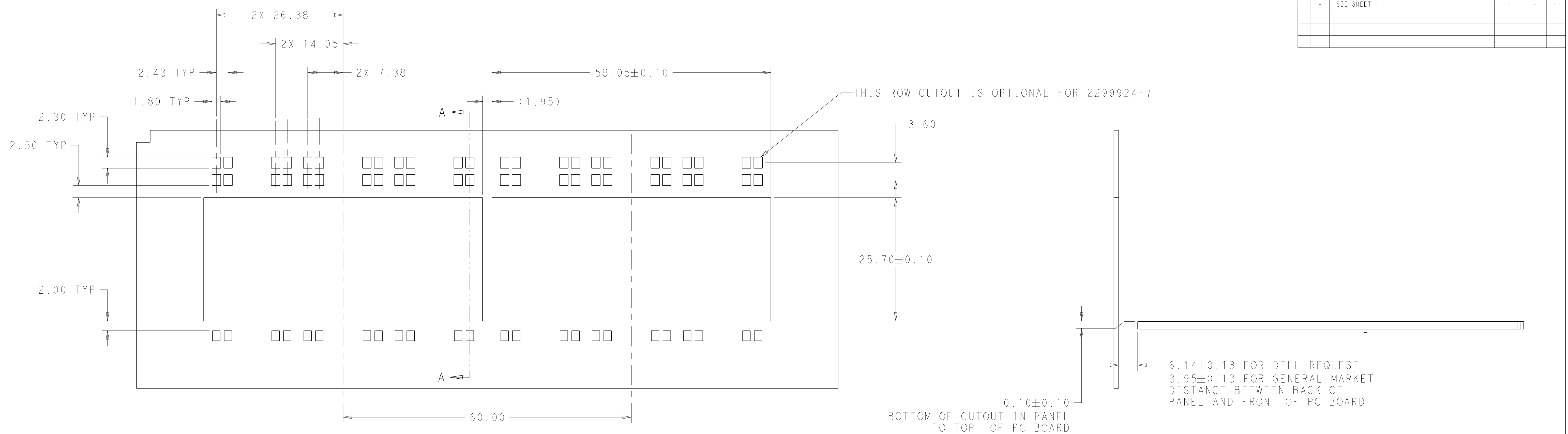


2299924-8 AS SHOWN  
SCALE 2:1

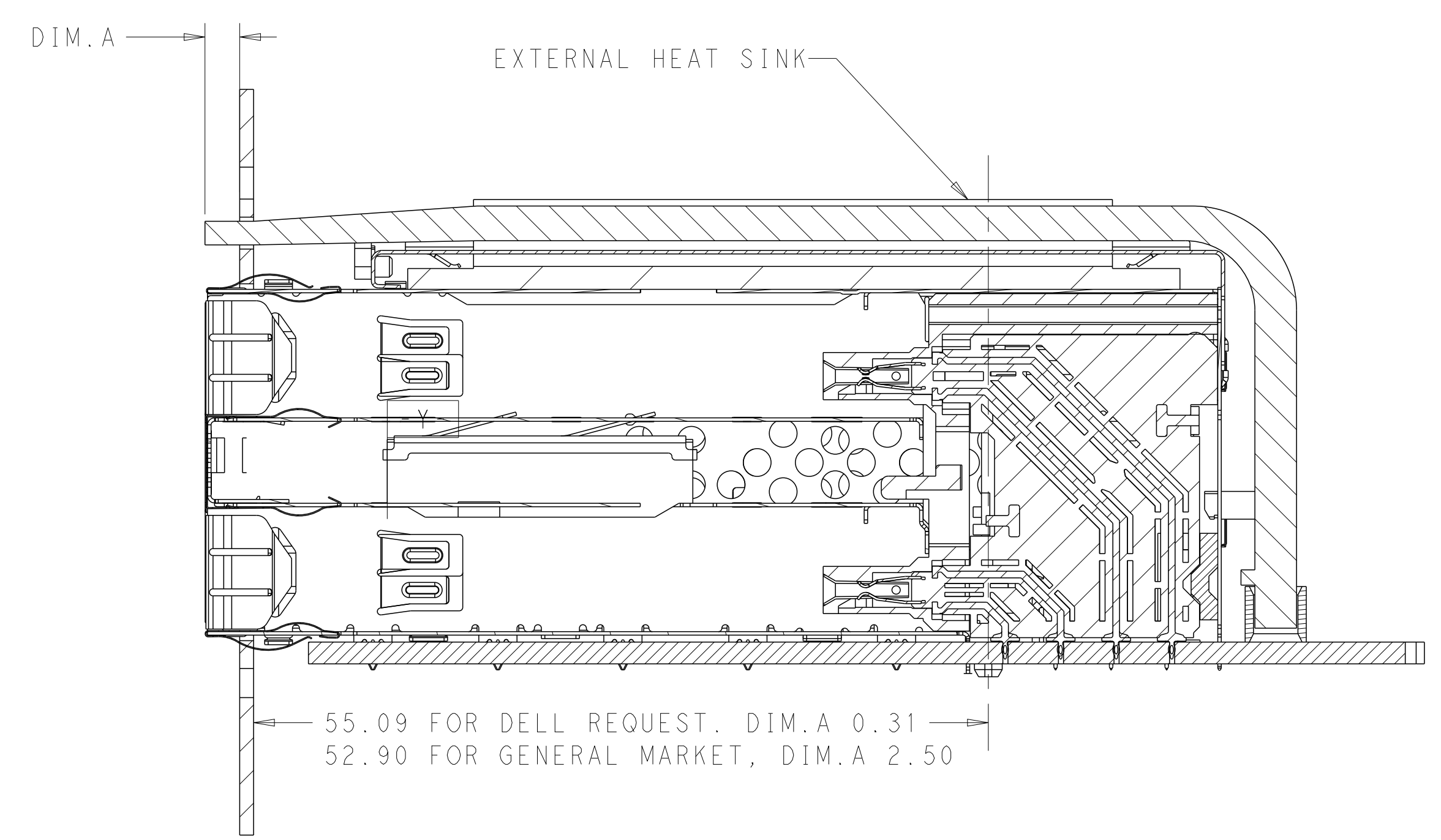
3	1-2300832-7	HEAT SINK CLIP	3
3	1-2304280-3	HEAT SINK	2
1	2299924-4	CAGE AND CONNECTOR ASSEMBLY	1
2299924-3	PART NUMBER	DESCRIPTION	ITEM

THIS DRAWING IS A CONTROLLED DOCUMENT.		OWN ARTHUR JIN 20JAN2016	
DIMENSIONS:		CHK SEAN HAN 20JAN2016	
mm	TOLERANCES UNLESS OTHERWISE SPECIFIED:	APVD SEAN HAN 20JAN2016	NAME
0 PLC ±	1 PLC ±0.25	PRODUCT SPEC	CAGE AND CONNECTOR ASSEMBLY WITH EMI SPRING FINGERS, THRU BEZEL, 2X3 ZOSFP+ STACKED WITH HS
2 PLC ±0.15	3 PLC ±	APPLICATION SPEC	SIZE
4 PLC ±	ANGLES ±	WEIGHT	CAGE CODE
MATERIAL	FINISH	RESTRICTED TO	DRAWING NO
SEE NOTE 1	SEE NOTE 2	A100779	©=2299924
CUSTOMER DRAWING		SCALE	1:1
		SHEET	5 OF 10
		REV	G1

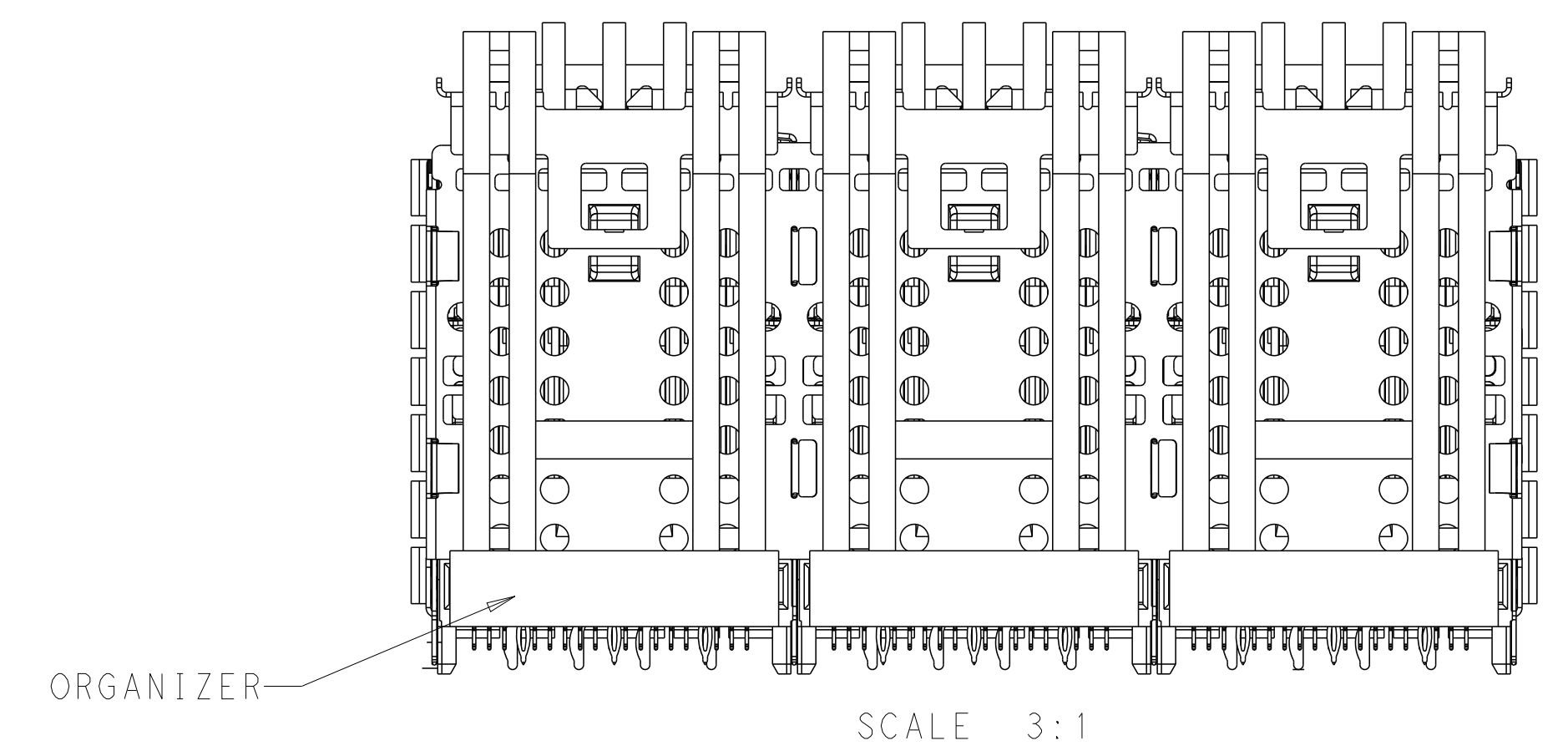
LOC	DIST	REVISIONS					
GP	00	P	LTH	DESCRIPTION	DATE	OWN	APVD
-	-	-	-	SEE SHEET 1	-	-	-



RECOMMENDED PANEL CUTOUT  
 AND PC BOARD, PANEL POSITION  
 SCALE 5:2



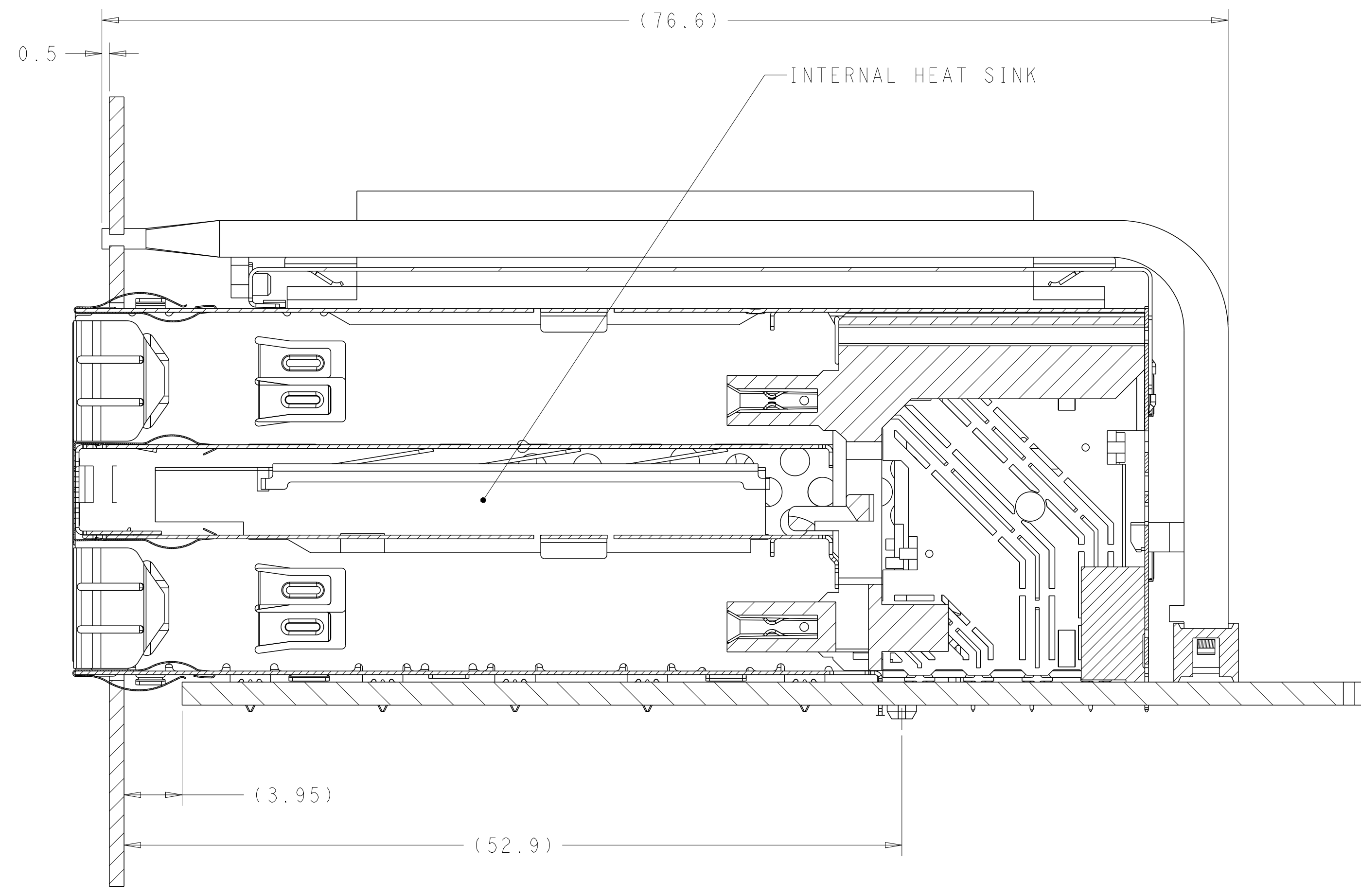
SECTION A-A  
 SCALE 3:1



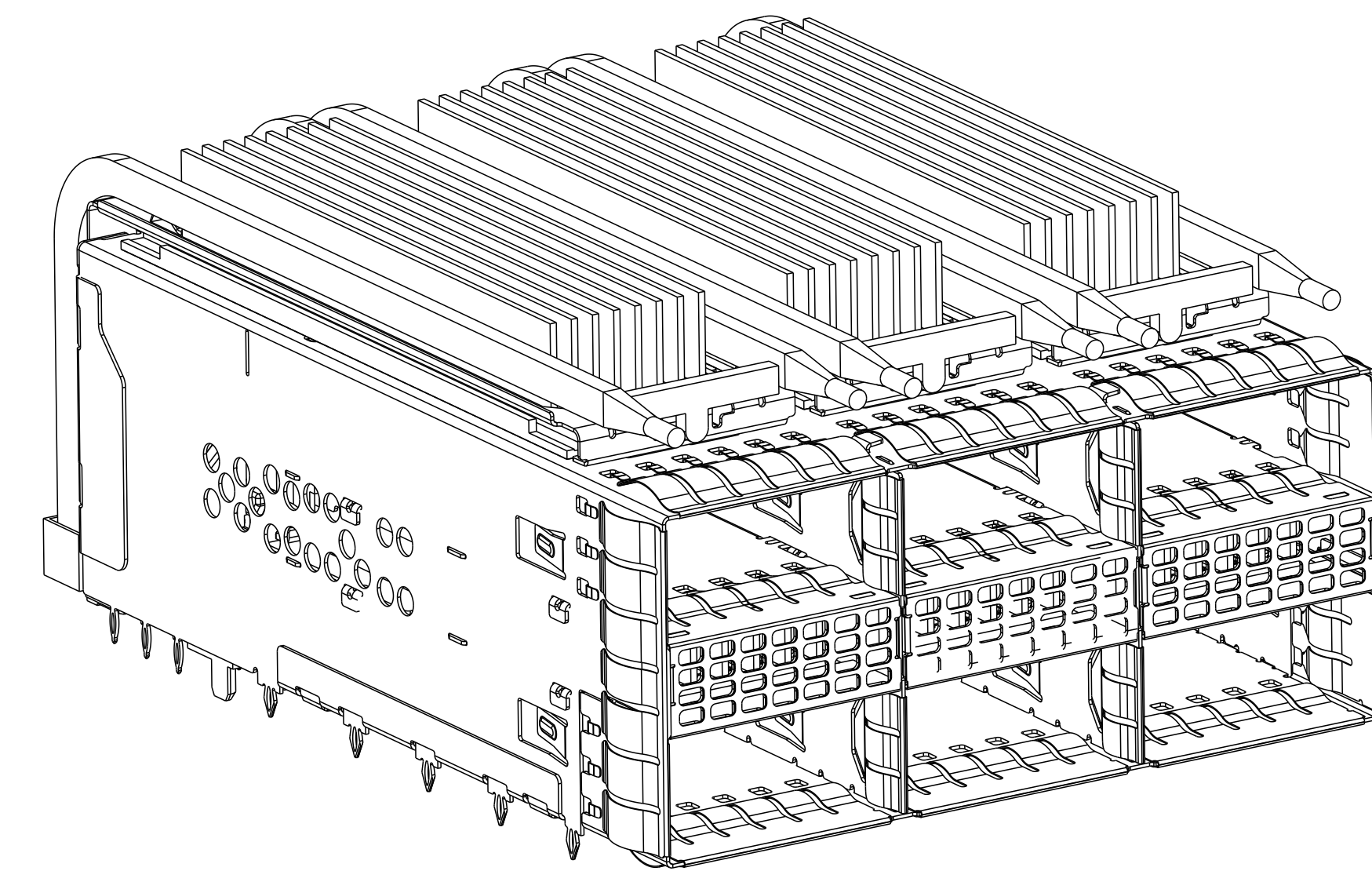
ORGANIZER  
 SCALE 3:1

THIS DRAWING IS A CONTROLLED DOCUMENT.		OWN ARTHUR JIN 20JAN2016	TE Connectivity
DIMENSIONS: mm		CHK SEAN HAN 20JAN2016	
TOLERANCES UNLESS OTHERWISE SPECIFIED:		APVD SEAN HAN 20JAN2016	NAME CAGE AND CONNECTOR ASSEMBLY WITH EMI SPRING FINGERS, THRU BEZEL, 2X3 ZOSFP+ STACKED WITH HS
0 PLC ±	1 PLC ±0.25	PRODUCT SPEC	SIZE A100779
2 PLC ±0.15	3 PLC ±	APPLICATION SPEC	CAGE CODE C=2299924
4 PLC ±	ANGLES ±	WEIGHT	RESTRICTED TO
FINISH	SEE NOTE 2	CUSTOMER DRAWING	SCALE 1:1 SHEET 6 OF 10 REV G1

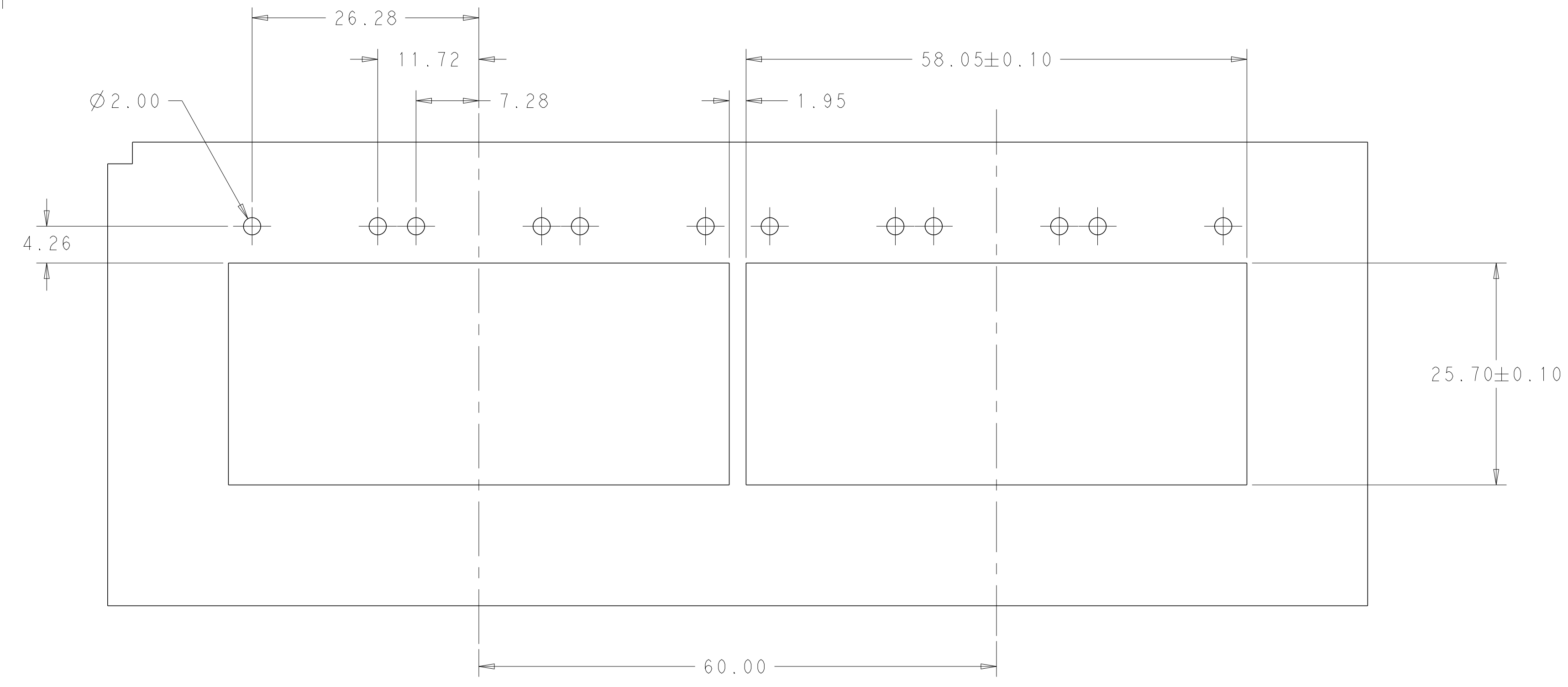
LOC	DIST	REVISIONS			
P	LTN	DESCRIPTION	DATE	DMN	APVD
-	-	SEE SHEET 1	-	-	-



2299924-6  
 1-2299924-6  
 SECTION V-V  
 SCALE 4:1



2299924-6  
 SCALE 5:2

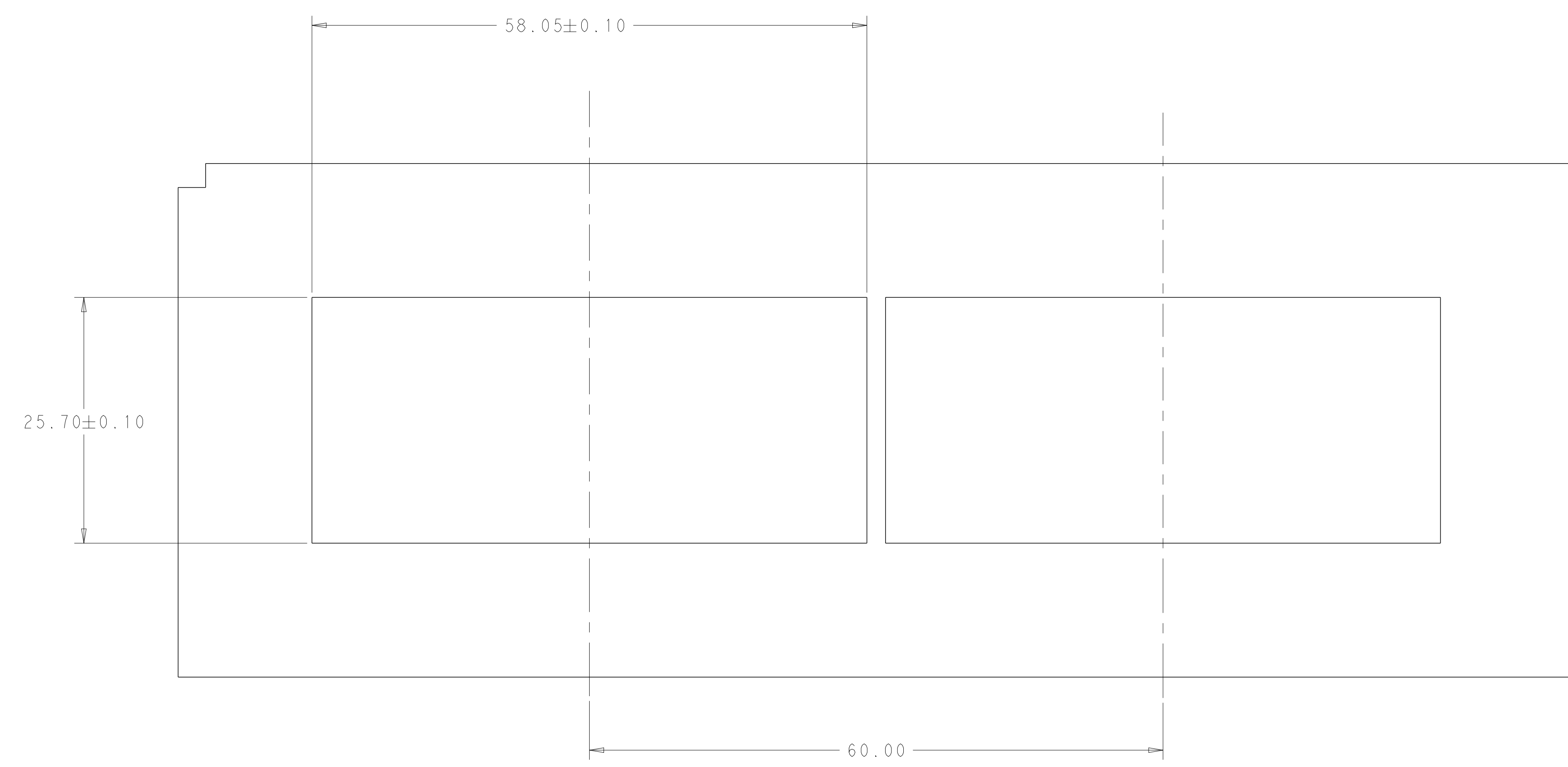


2299924-6  
 1-2299924-0  
 1-2299924-6  
 2-2299924-6  
 3-2299924-6  
 RECOMMENDED PANEL CUTOUT  
 SCALE 5:2

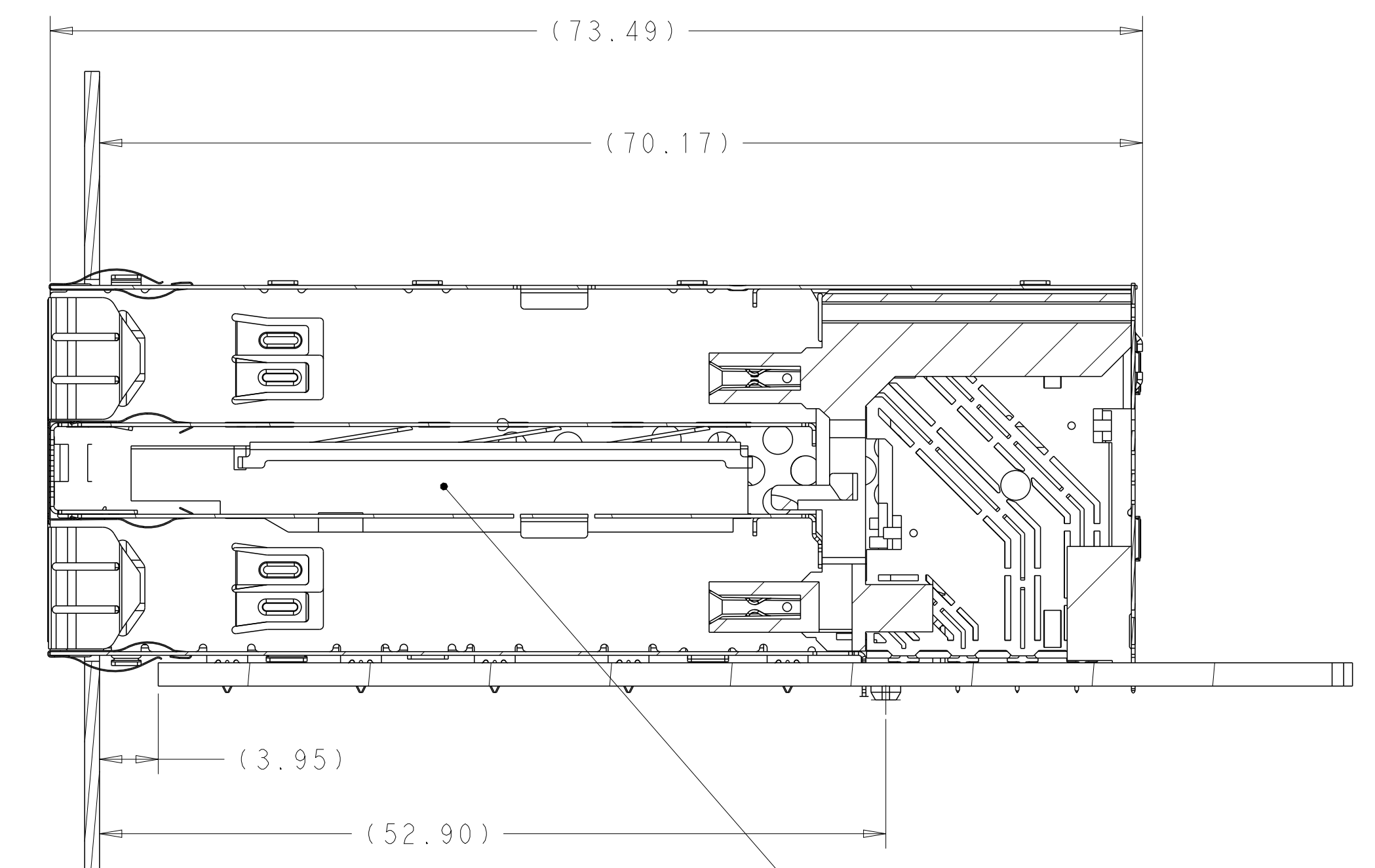
THIS DRAWING IS A CONTROLLED DOCUMENT.		DMN: ARTHUR JIN 20JAN2016	TE Connectivity
DIMENSIONS:		CHK: SEAN HAN 20JAN2016	
mm	0 PLC ±0.25 1 PLC ±0.15 2 PLC ±0.15 3 PLC ±0.15 4 PLC ±0.15 ANGLES ±0.5	APVD: SEAN HAN 20JAN2016	NAME: CAGE AND CONNECTOR ASSEMBLY WITH EMI SPRING FINGERS, THRU BEZEL, 2X3 ZOSFP+ STACKED WITH HS
MATERIAL: SEE NOTE 1		PRODUCT SPEC: APPLICATION SPEC	
FINISH: SEE NOTE 2		WEIGHT: -	RESTRICTED TO: -
CUSTOMER DRAWING		SIZE: A1	CAGE CODE: 100779
SCALE: 1:1		DRAWING NO: 2299924	SHEET 7 OF 10
		REV: G1	



LOC	DIST	REVISIONS					
GP	00	P	LYR	DESCRIPTION	DATE	DWN	APVD
-	-	-	-	SEE SHEET 1	-	-	-

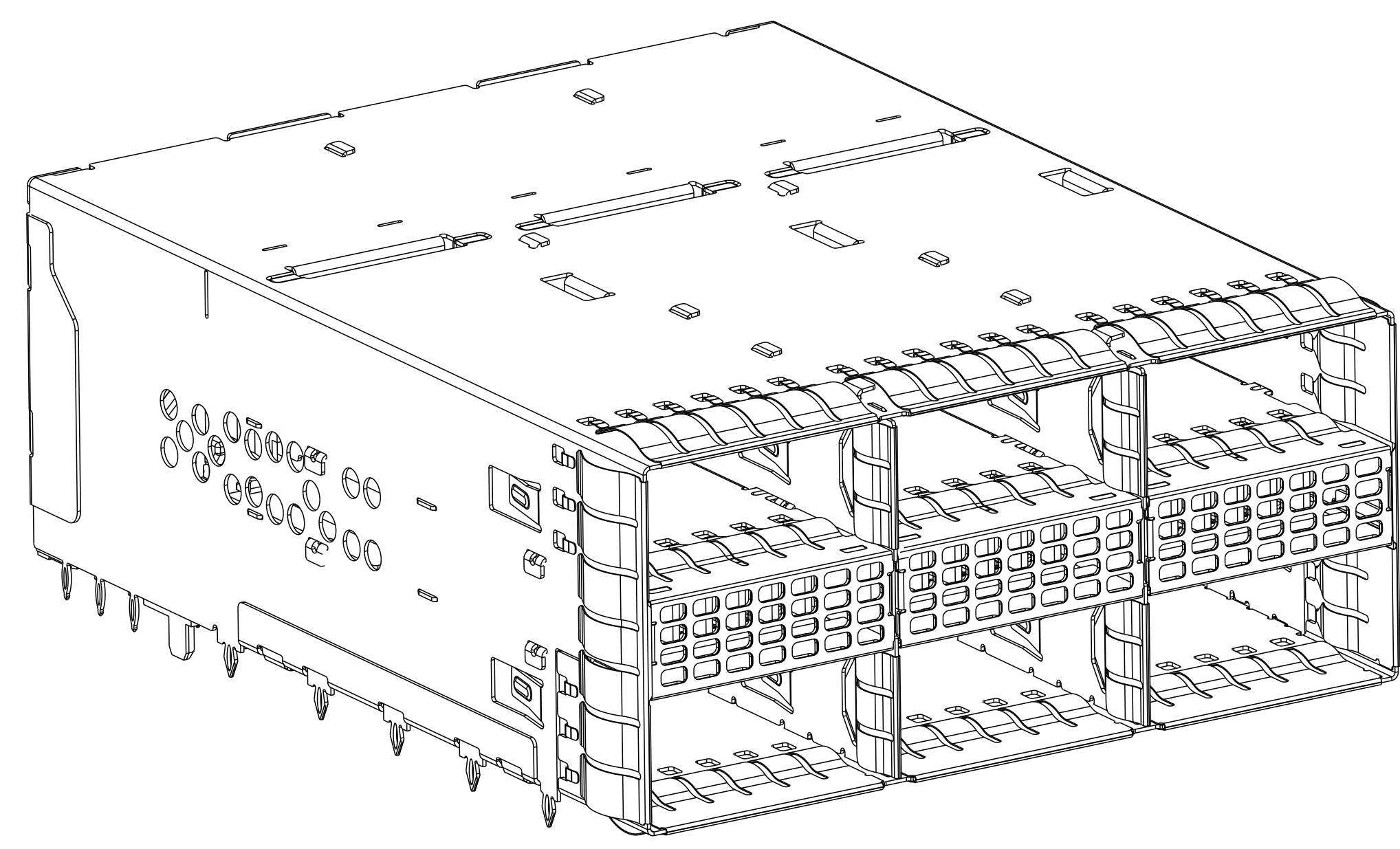


RECOMMENDED PANEL CUTOUT  
 SCALE 3:1



INTERNAL HEATSINK

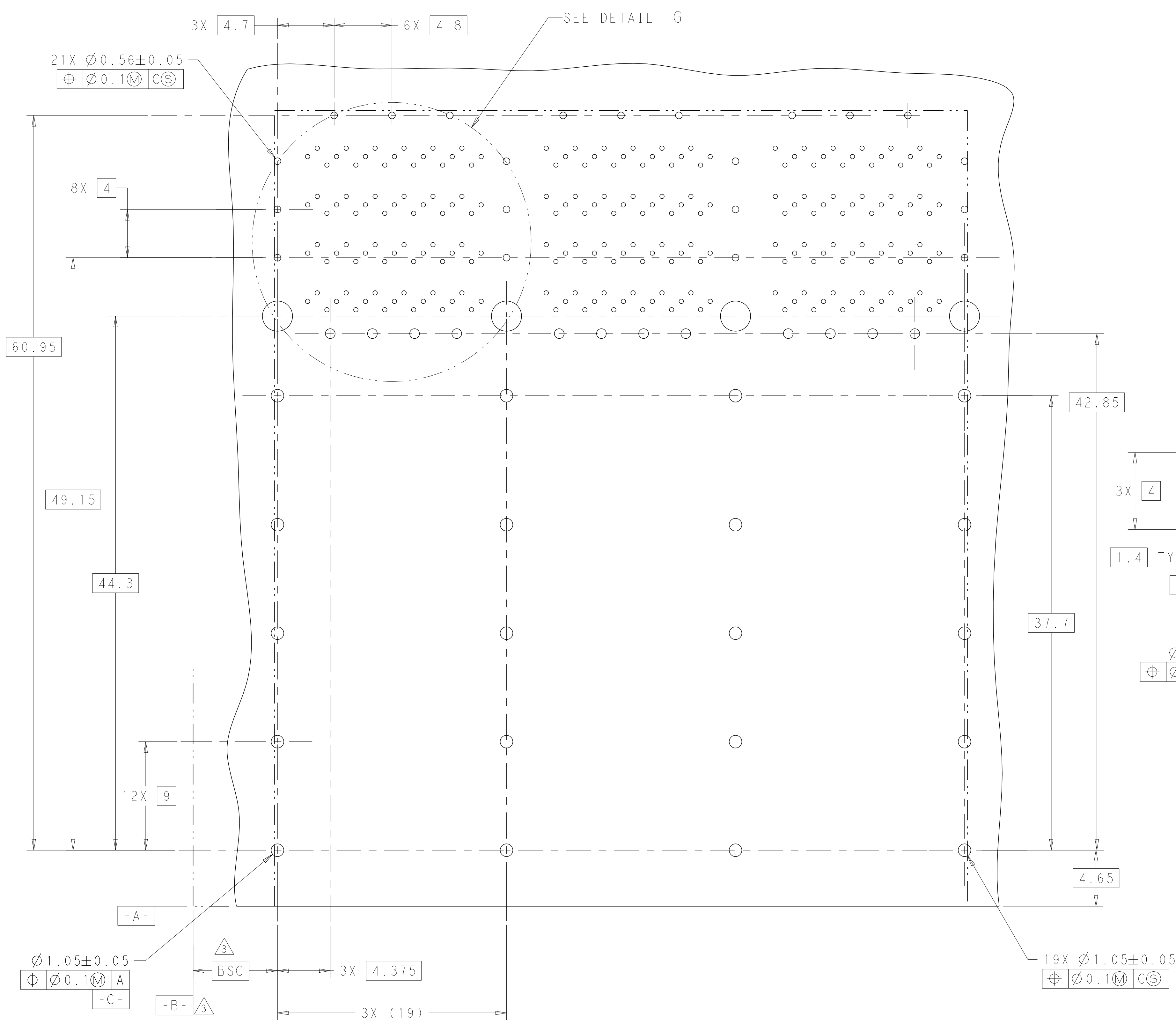
2-2299924-4  
 SECTION V-V  
 SCALE 3:1



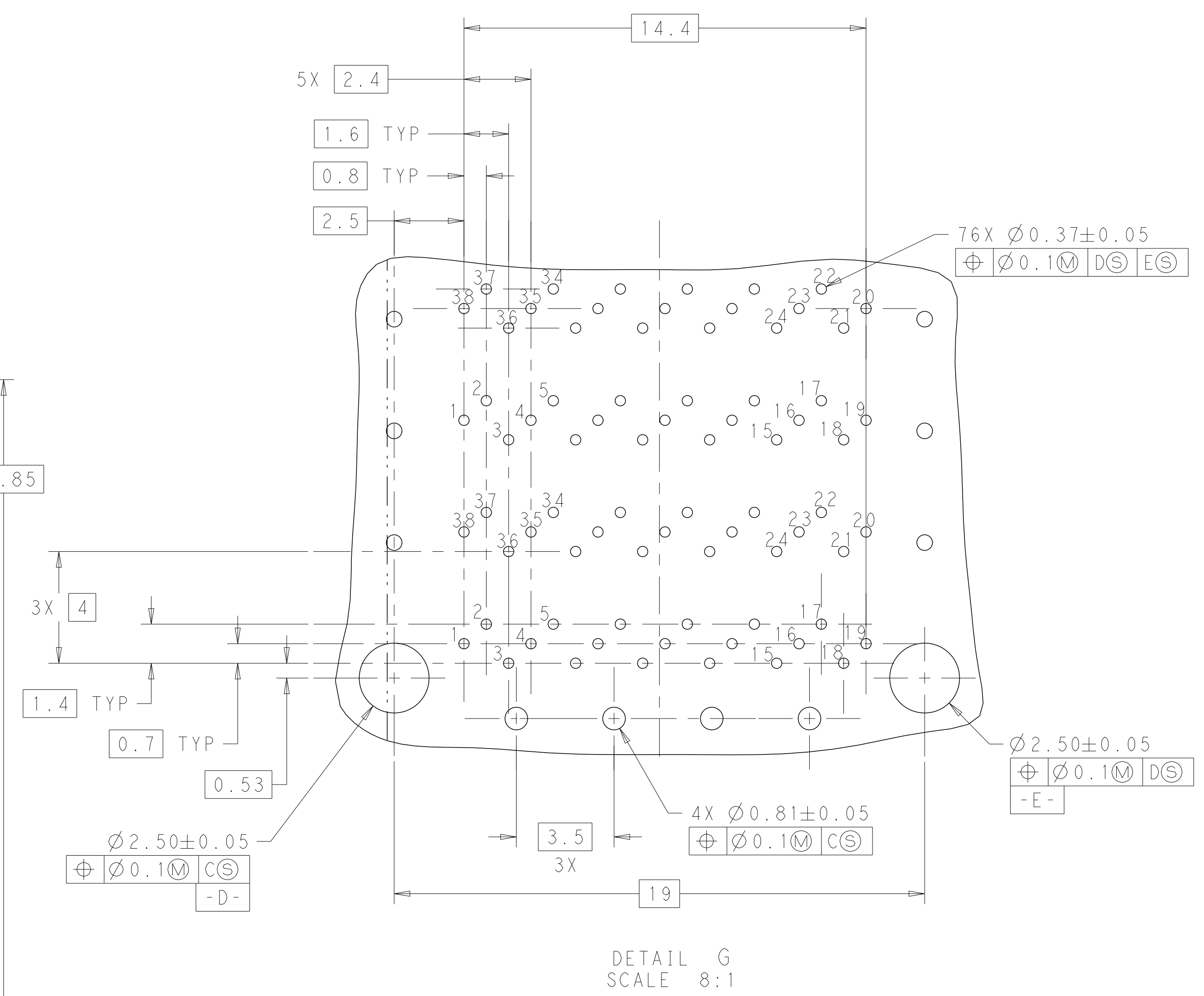
SCALE 3:1

THIS DRAWING IS A CONTROLLED DOCUMENT.		DWN ARTHUR JIN 20JAN2016	TE Connectivity	
DIMENSIONS:		CHK SEAN HAN 20JAN2016	NAME	
mm	TOLERANCES UNLESS OTHERWISE SPECIFIED:	APVD SEAN HAN 20JAN2016	CAGE AND CONNECTOR ASSEMBLY WITH EMI SPRING FINGERS, THRU BEZEL, 2X3 ZQSF+ STACKED WITH HS	
0 PLC	±	PRODUCT SPEC	SIZE	
1 PLC	±0.25	APPLICATION SPEC	CAGE CODE	
2 PLC	±0.15	FINISH	DRAWING NO	
3 PLC	±	WEIGHT	RESTRICTED TO	
4 PLC	±	CUSTOMER DRAWING	A100779C=2299924	
ANGLES	±	SCALE	1:1	
FINISH	±	SHEET	8 OF 10	
SEE NOTE 1	SEE NOTE 2	REV	G1	

LOC	DIST	REVISIONS					
GP	00	P	LTN	DESCRIPTION	DATE	OWN	APVD
		-	-	SEE SHEET 1	-	-	-

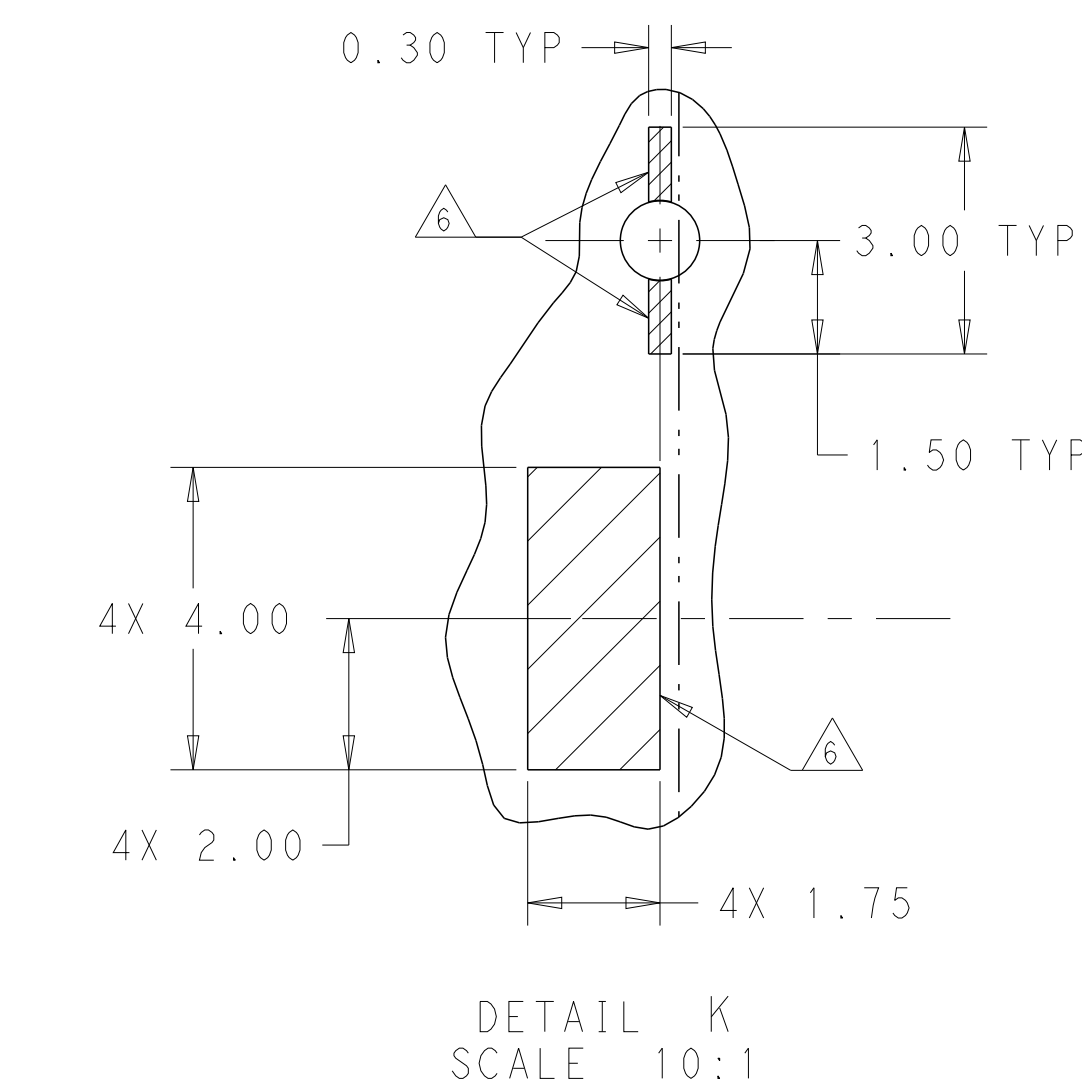
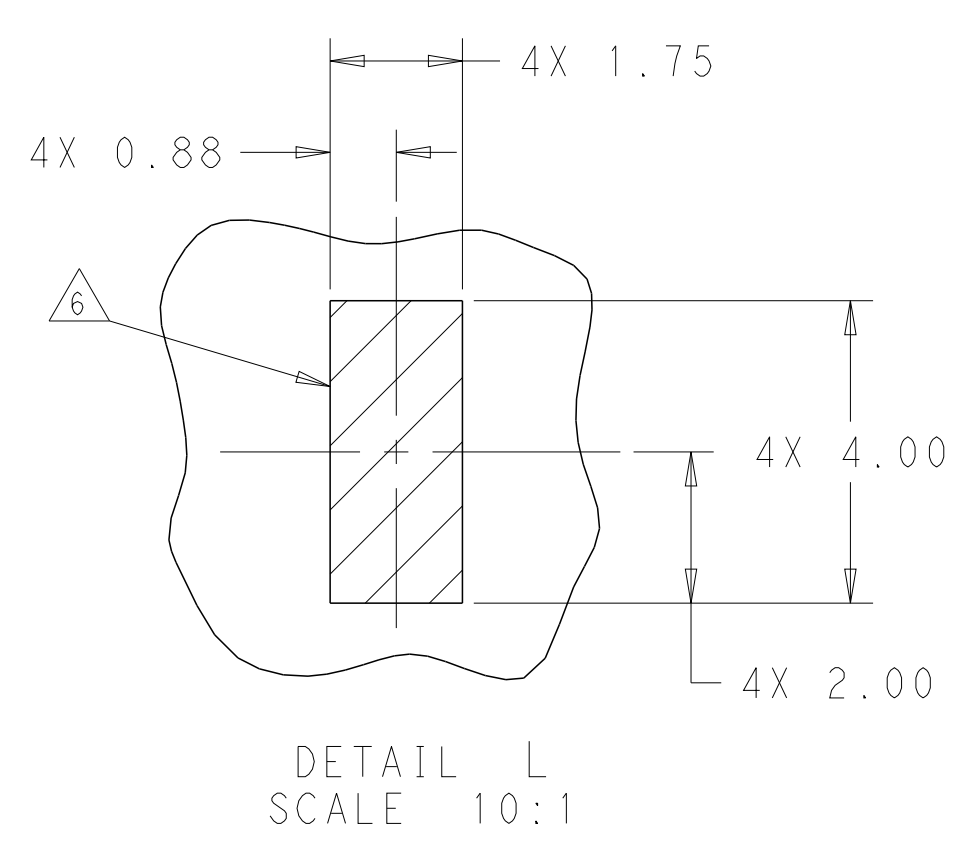
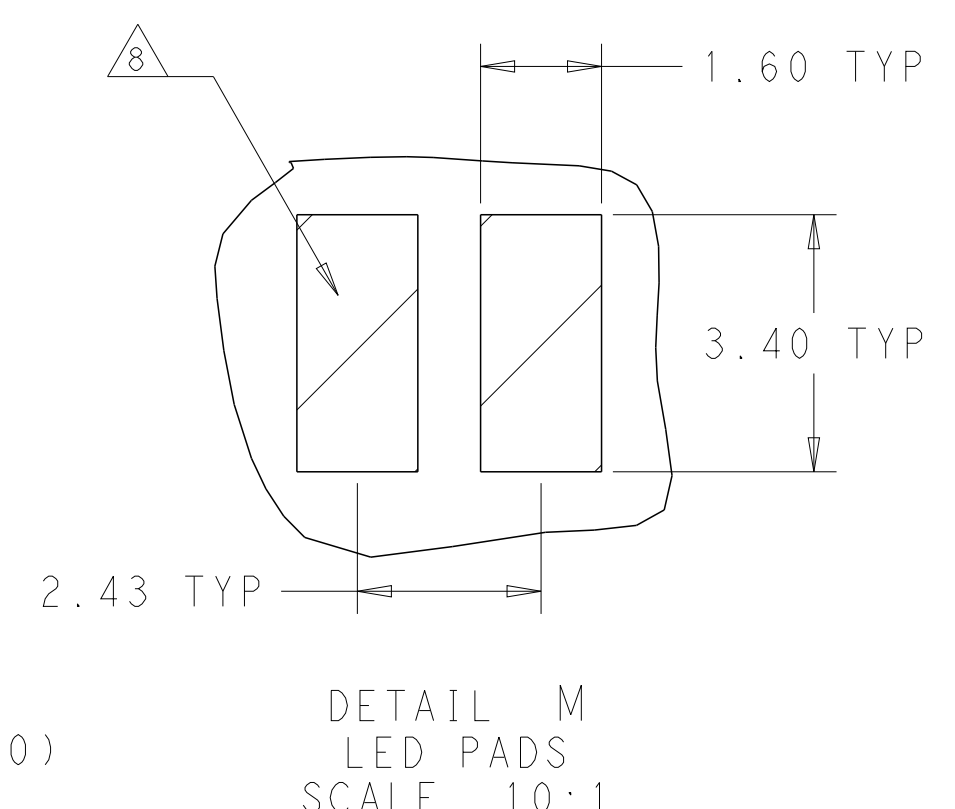
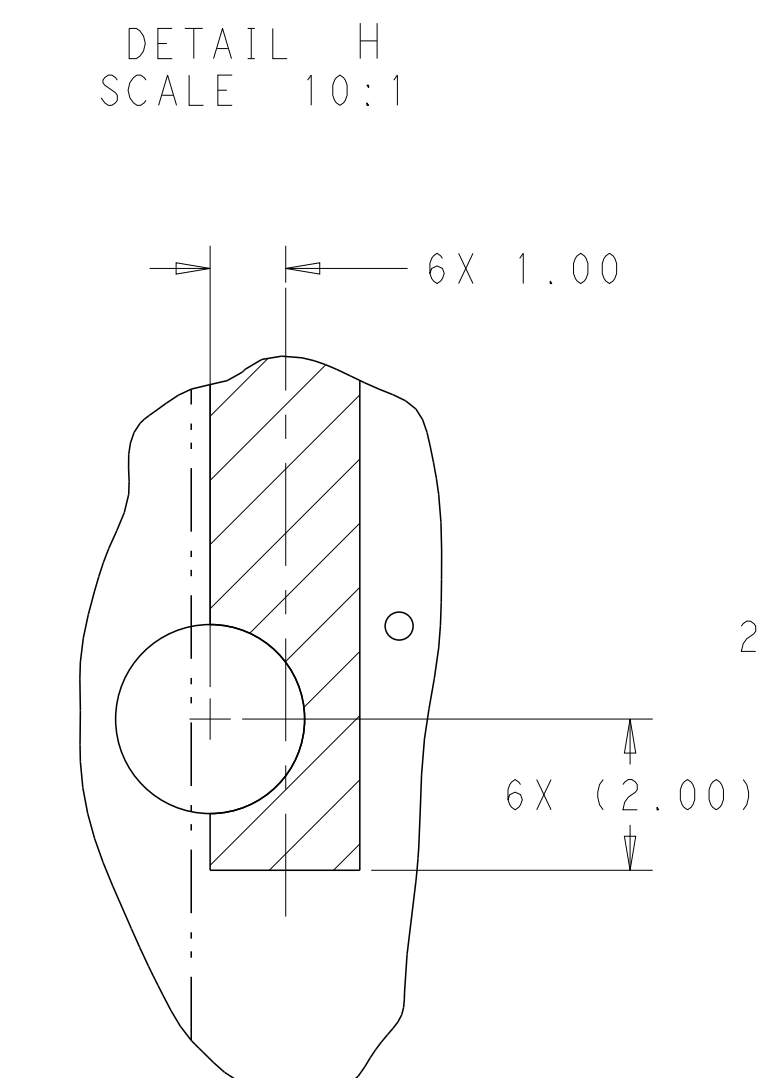
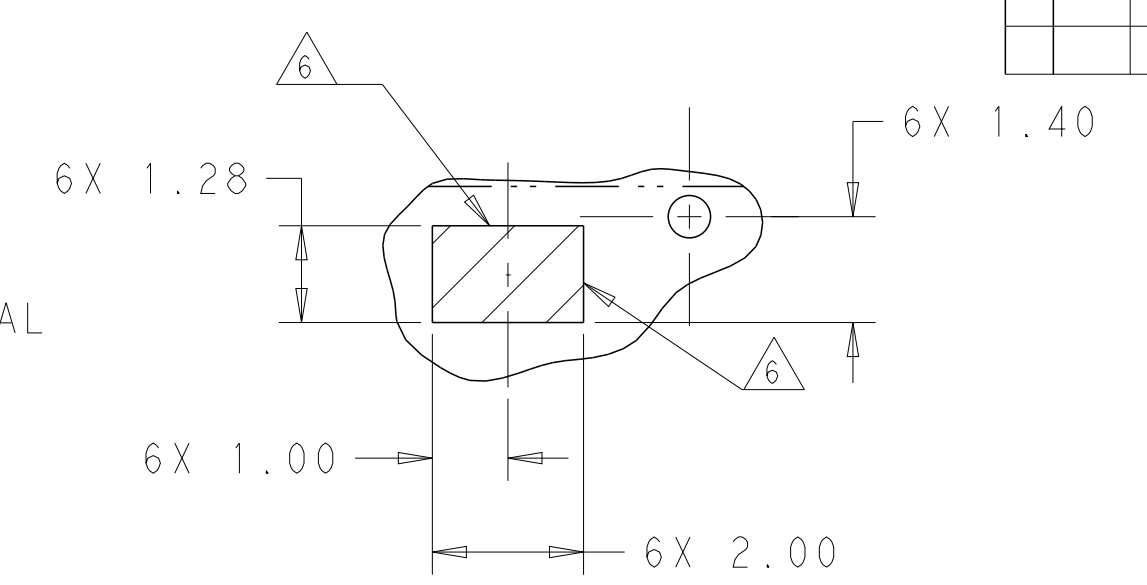
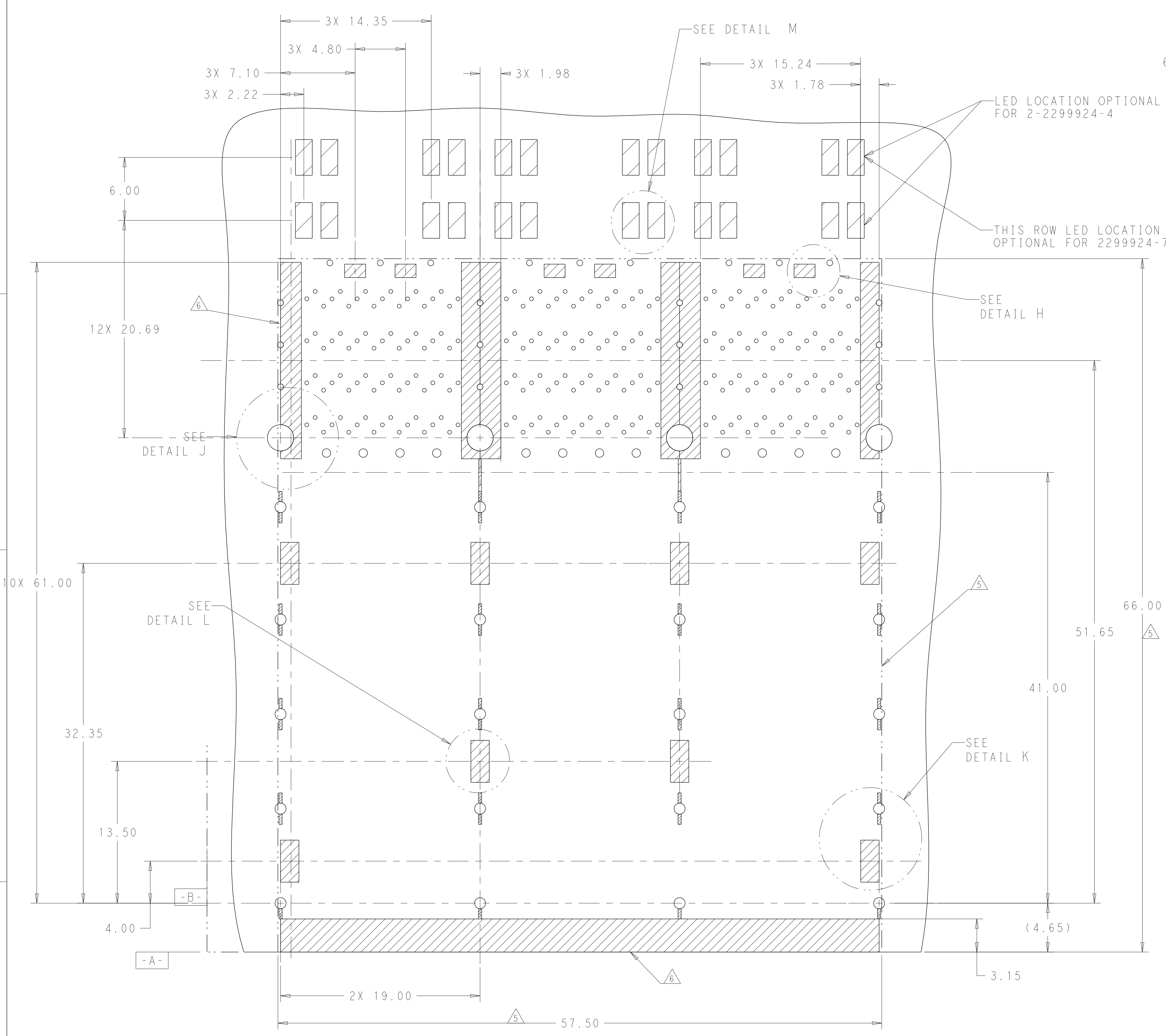


RECOMMENDED PC BOARD LAYOUT  
 COMPONENT SIDE OF BOARD  
 PCB TOLERANCE:  $\pm 0.05$   
 SCALE 5:1



THIS DRAWING IS A CONTROLLED DOCUMENT.		OWN: ARTHUR JIN 20JAN2016	TE Connectivity
DIMENSIONS: mm		CHK: SEAN HAN 20JAN2016	
TOLERANCES UNLESS OTHERWISE SPECIFIED:		APVD: SEAN HAN 20JAN2016	NAME: CAGE AND CONNECTOR ASSEMBLY WITH EMI SPRING FINGERS, THRU BEZEL, 2X3 ZQSF+ STACKED WITH HS
0 PLC	$\pm 0.25$	PRODUCT SPEC	SIZE: A1
1 PLC	$\pm 0.15$	APPLICATION SPEC	CAGE CODE: 2299924
2 PLC	$\pm 0.10$	FINISH	RESTRICTED TO: CUSTOMER DRAWING
3 PLC	$\pm 0.075$	WEIGHT	SCALE: 1:1
4 PLC	$\pm 0.05$	SEE NOTE 1	SHEET 9 OF 10
ANGLES	$\pm 0.05$	SEE NOTE 2	REV: G1

LOC		DIST		REVISIONS			
GP	00	P	LTN	DESCRIPTION	DATE	OWN	APVD
		-	-	SEE SHEET 1	-	-	-



KEEPOUT AREAS COMPONENT  
 SIDE OF BOARD FOR 4 LP  
 SCALE 5:1

THIS DRAWING IS A CONTROLLED DOCUMENT.		OWN: ARTHUR JIH 20JAN2016	TE Connectivity
DIMENSIONS: mm		CHK: SEAN HAN 20JAN2016	
TOLERANCES UNLESS OTHERWISE SPECIFIED:		APVD: SEAN HAN 20JAN2016	NAME: CAGE AND CONNECTOR ASSEMBLY WITH EMI SPRING FINGERS, THRU BEZEL, 2X3 ZOSFP+ STACKED WITH HS
0 PLC ±	1 PLC ±0.25	PRODUCT SPEC	APPLICATION SPEC
2 PLC ±0.15	3 PLC ±	SIZE: A100779	CAGE CODE: 2299924
4 PLC ±	ANGLES ±	WEIGHT	RESTRICTED TO
MATERIAL: SEE NOTE 1	FINISH: SEE NOTE 2	CUSTOMER DRAWING	SCALE: 1:1 SHEET 10 OF 10 REV: G1