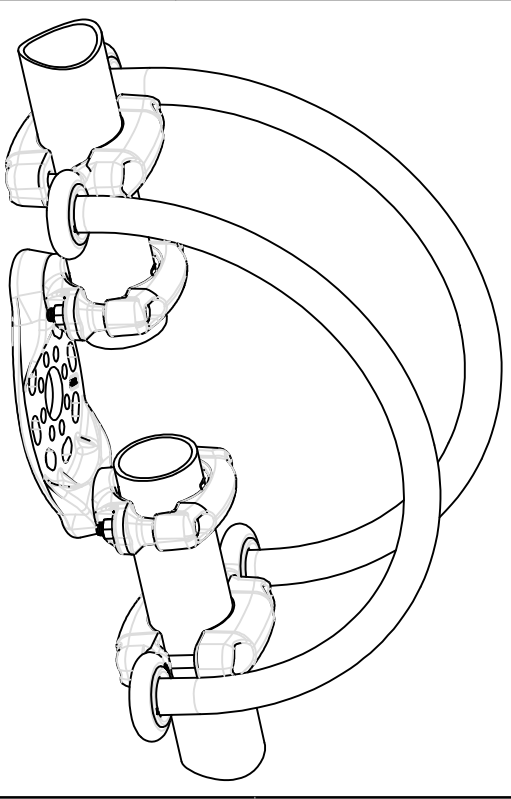
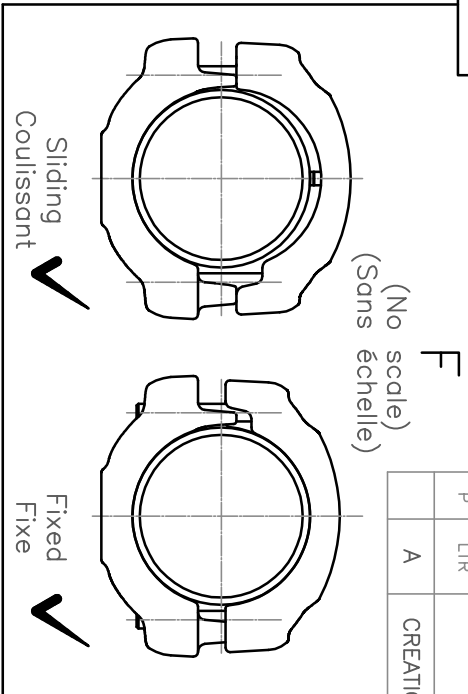
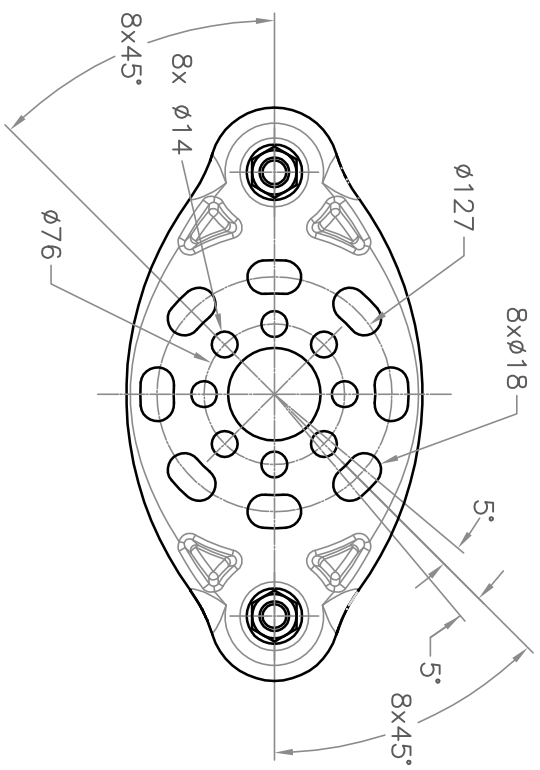
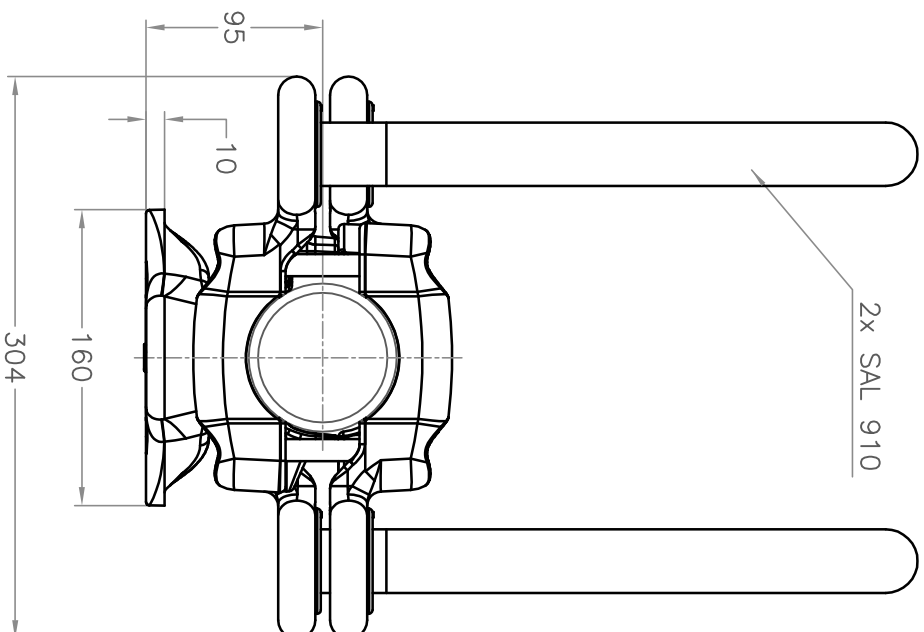
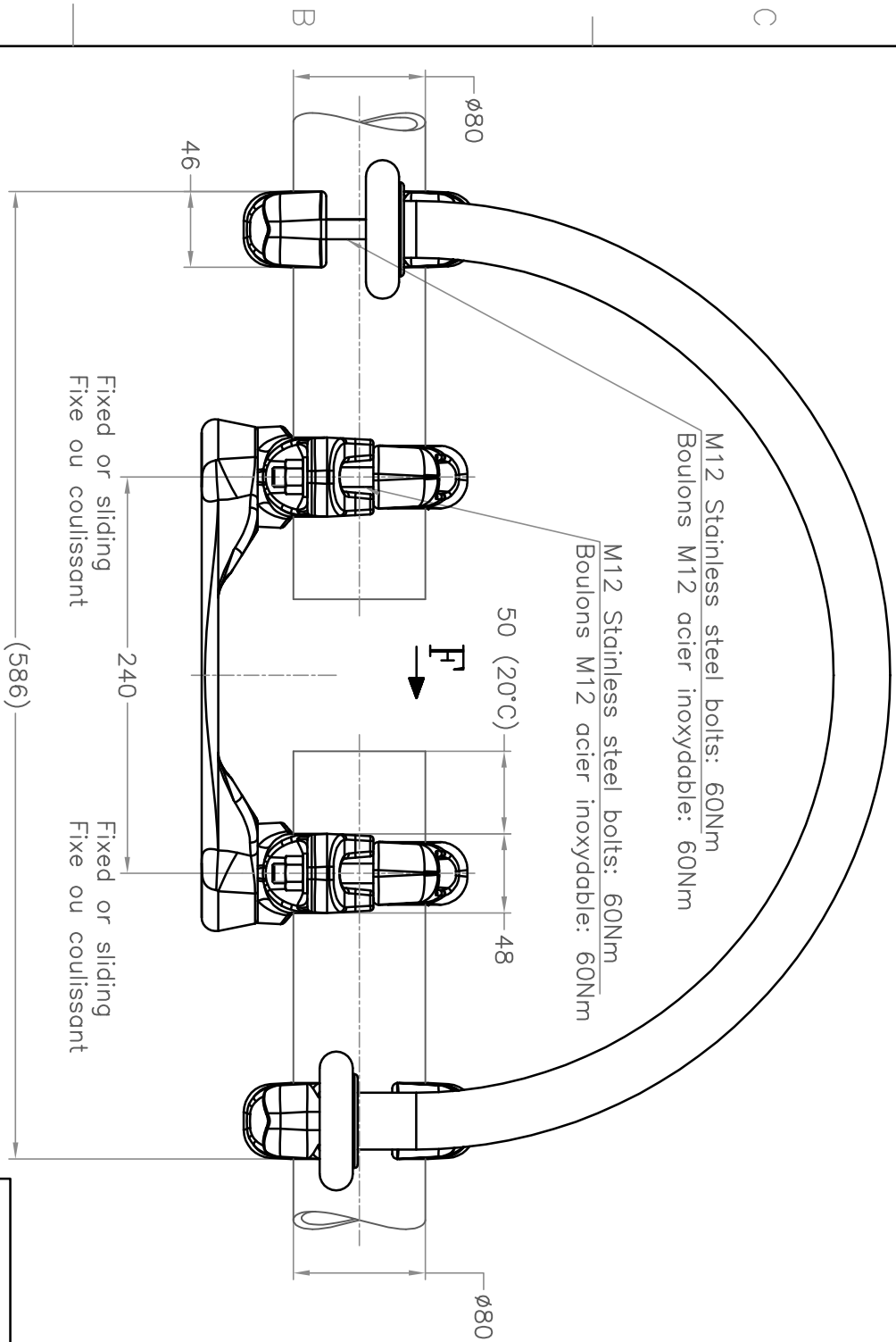


REVISIONS

P	LTR	DESCRIPTION	DATE	DWM	APVD
A		CREATION	21-Jan-16	JPM	-



No scale
Sans échelle



THIS DRAWING IS A CONTROLLED DOCUMENT.

DIMENSIONS: mm		TOLERANCES UNLESS OTHERWISE SPECIFIED:	
	0 PLC	±	-
	1 PLC	±	-
	2 PLC	±	-
	3 PLC	±	-
	4 PLC ANGLES	±	-
MATERIAL	FINISH		

DWM	21-Jan-16	DWM	
CHK	MOVEUX	NAME	STE TE Connectivity
APVD		PRODUCT SPEC	108-69090-001
APPROX. WEIGHT 10 kg		APPLICATION SPEC	
CUSTOMER DRAWING			

SIZE	A3	SIZE	00779
CAGE CODE		DRAWING NO	2299975
APPROX. WEIGHT	10 kg	SCALE	1:4
SHEET 1 OF 1		RESTRICTED TO	-
REV A			

ITEM: