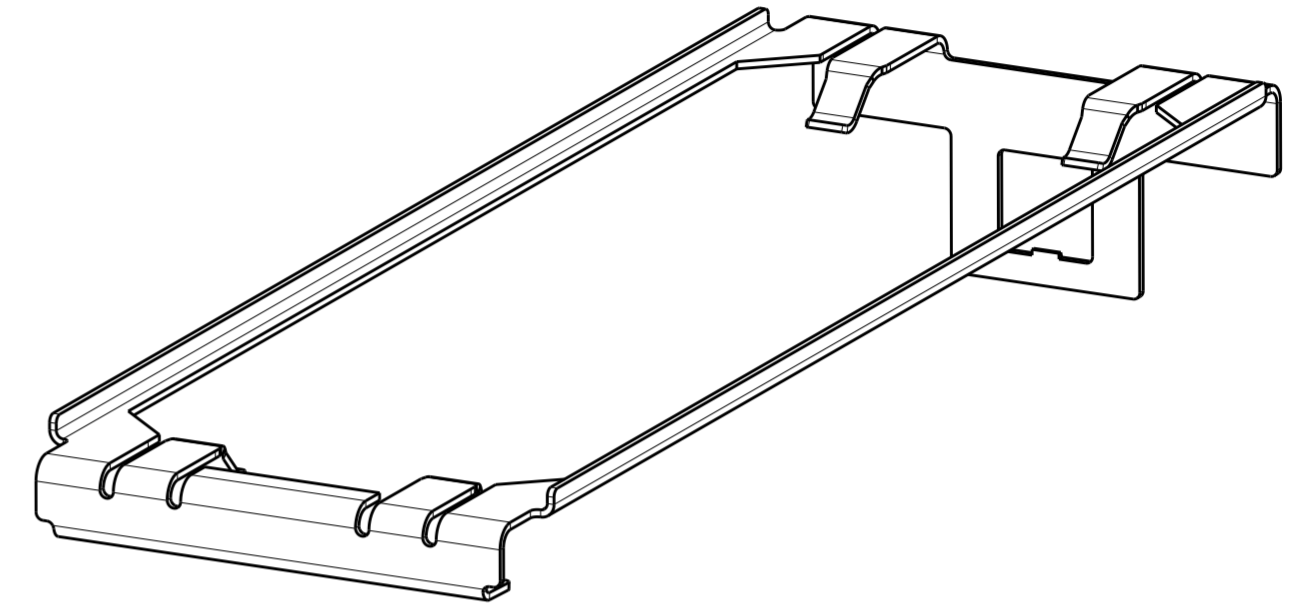
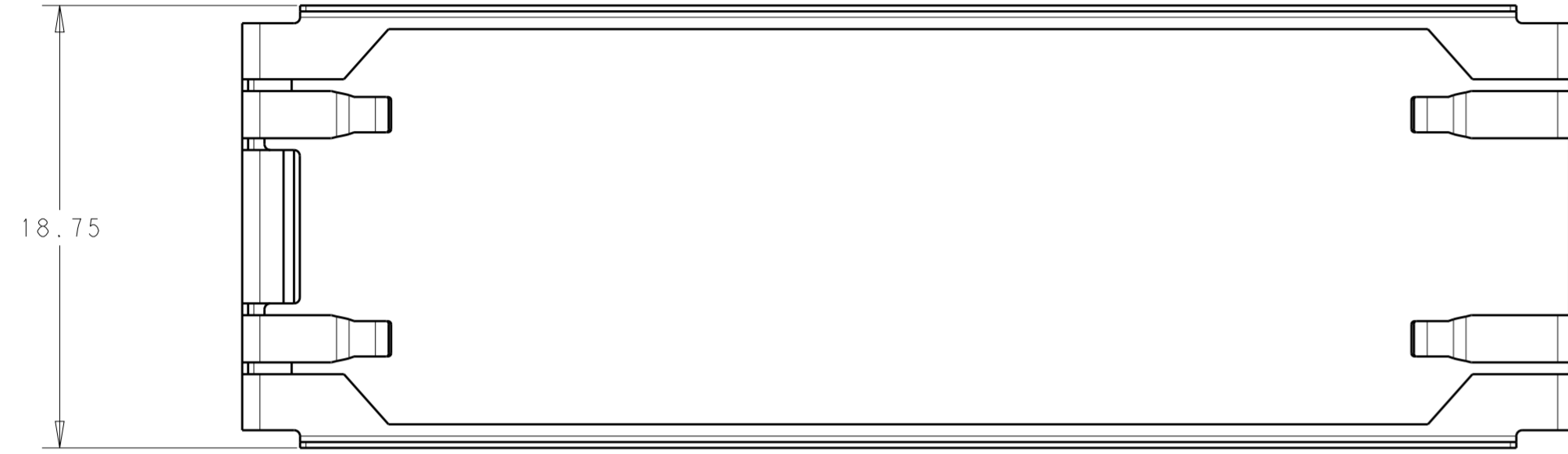


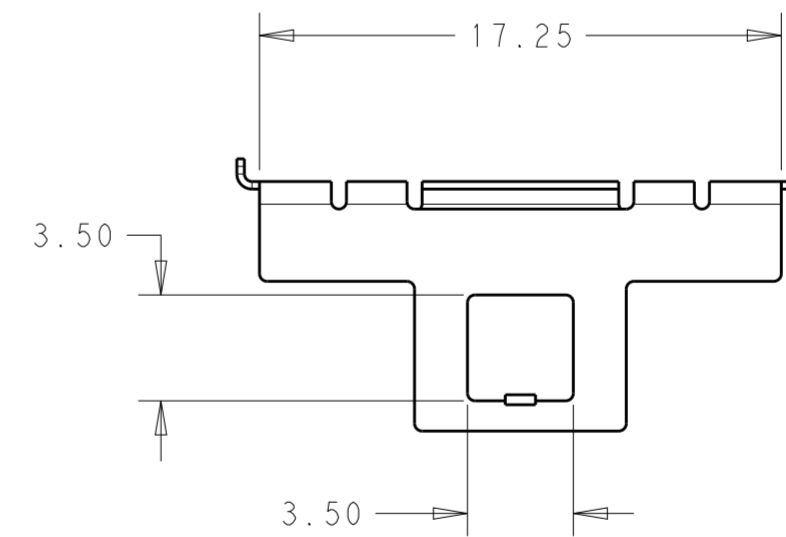
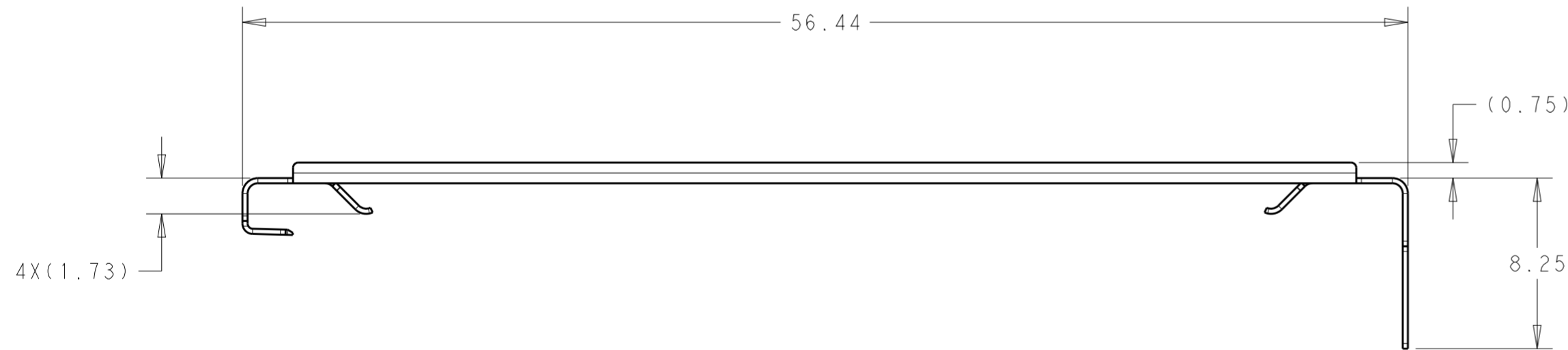
THIS DRAWING IS UNPUBLISHED. RELEASED FOR PUBLICATION 20
 © COPYRIGHT 20 BY - ALL RIGHTS RESERVED.

REVISIONS					
P	LTR	DESCRIPTION	DATE	DWN	APVD
A		INITIAL RELEASE	13MAR2017	LL	SH
B		REVISED PER ECO-17-012282	22AUG2017	TX	SH


1, MATERIAL: 0.25mm THICKNESS PASSIVATED STAINLESS STEEL.



1-2300832-6
SCALE 4:1



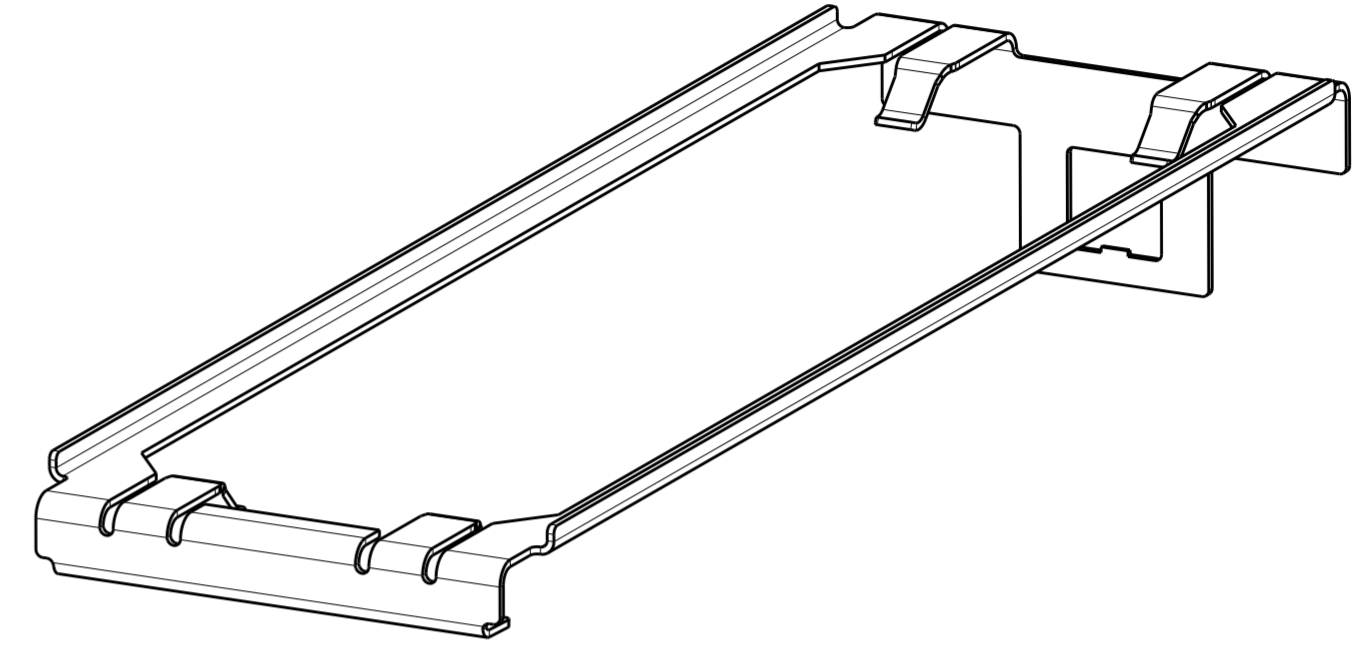
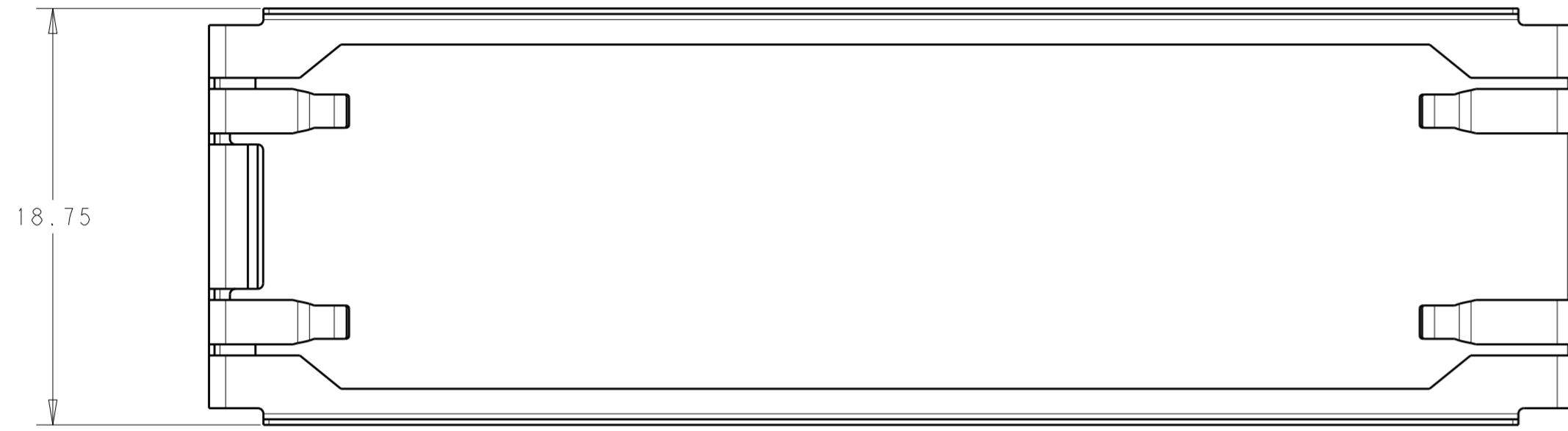
1-2300832-6
PART NUMBER

THIS DRAWING IS A CONTROLLED DOCUMENT.		DWN LEO LI 07NOV2016	 TE Connectivity			
DIMENSIONS:		CHK SEAN HAN 07NOV2016				
mm		APVD SEAN HAN 07NOV2016				
TOLERANCES UNLESS OTHERWISE SPECIFIED: 0 PLC ± 1 PLC ±0.3 2 PLC ±0.25 3 PLC ± 4 PLC ± ANGLES ± FINISH ±		PRODUCT SPEC	NAME CLIP, HEAT SINK, THRU BEZE, GANGED, QSP28			
MATERIAL		APPLICATION SPEC	SIZE	CAGE CODE	DRAWING NO	RESTRICTED TO
-		WEIGHT	A200779	C-2300832		-
-		CUSTOMER DRAWING	SCALE 4:1	SHEET 1 OF 2	REV B	

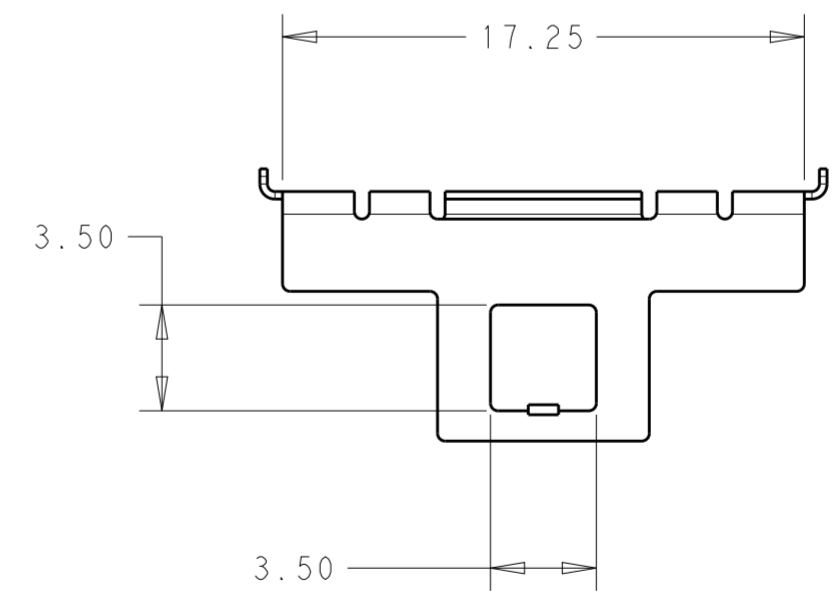
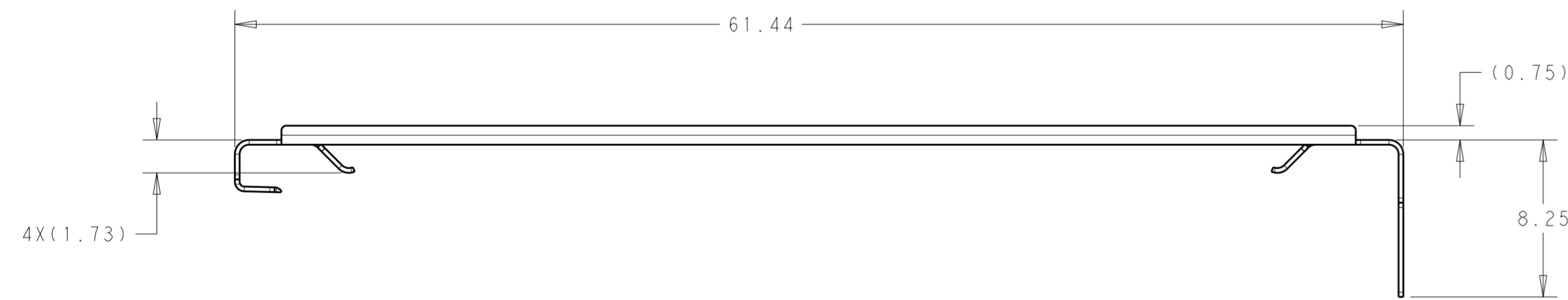
THIS DRAWING IS UNPUBLISHED. RELEASED FOR PUBLICATION 20
 © COPYRIGHT 20 BY - ALL RIGHTS RESERVED.

REVISIONS				
P	LTR	DESCRIPTION	DATE	APVD
-		SEE SHEET 1	-	-

1, MATERIAL: 0.25mm THICKNESS PASSIVATED STAINLESS STEEL.



1-2300832-7
SCALE 4:1



1-2300832-7
PART NUMBER

THIS DRAWING IS A CONTROLLED DOCUMENT.		DWN LEO LI 07NOV2016	TE Connectivity	
		CHK SEAN HAN 07NOV2016		
		APVD SEAN HAN 07NOV2016	NAME CLIP, HEAT SINK, THRU BEZE, GANGED, QSP28	
DIMENSIONS: mm 		PRODUCT SPEC -	RESTRICTED TO -	
TOLERANCES UNLESS OTHERWISE SPECIFIED: 0 PLC ±- 1 PLC ±0.3 2 PLC ±0.25 3 PLC ±- 4 PLC ±- ANGLES ±- FINISH ±-		APPLICATION SPEC -	SIZE A200779	DRAWING NO C-2300832
MATERIAL -		WEIGHT -	SCALE 4:1 SHEET 2 OF 2 REV B	
		CUSTOMER DRAWING		