

THIS DRAWING IS UNPUBLISHED.

RELEASED FOR PUBLICATION

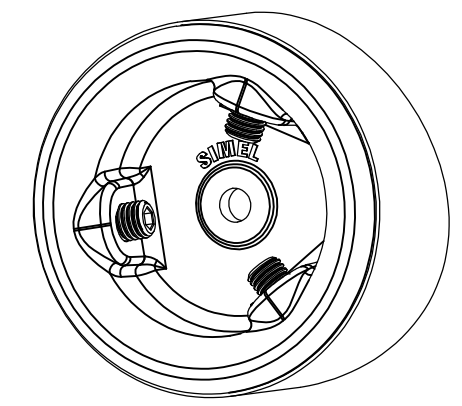
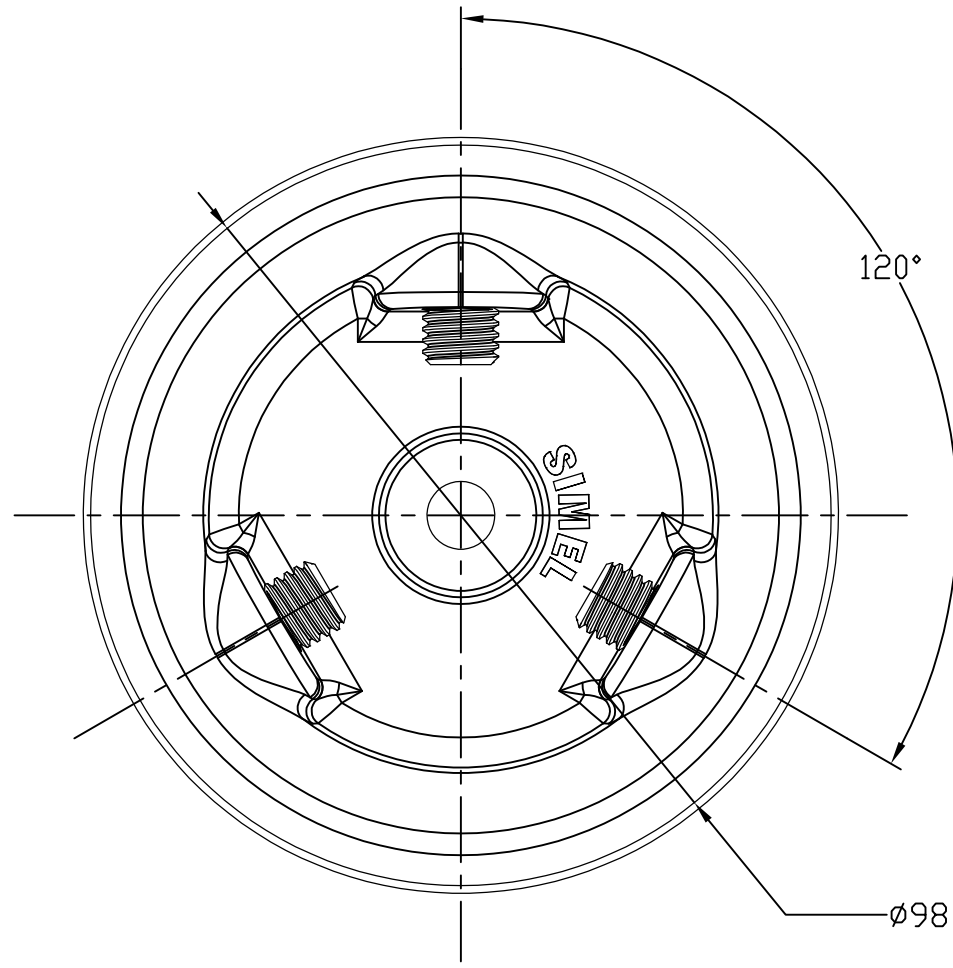
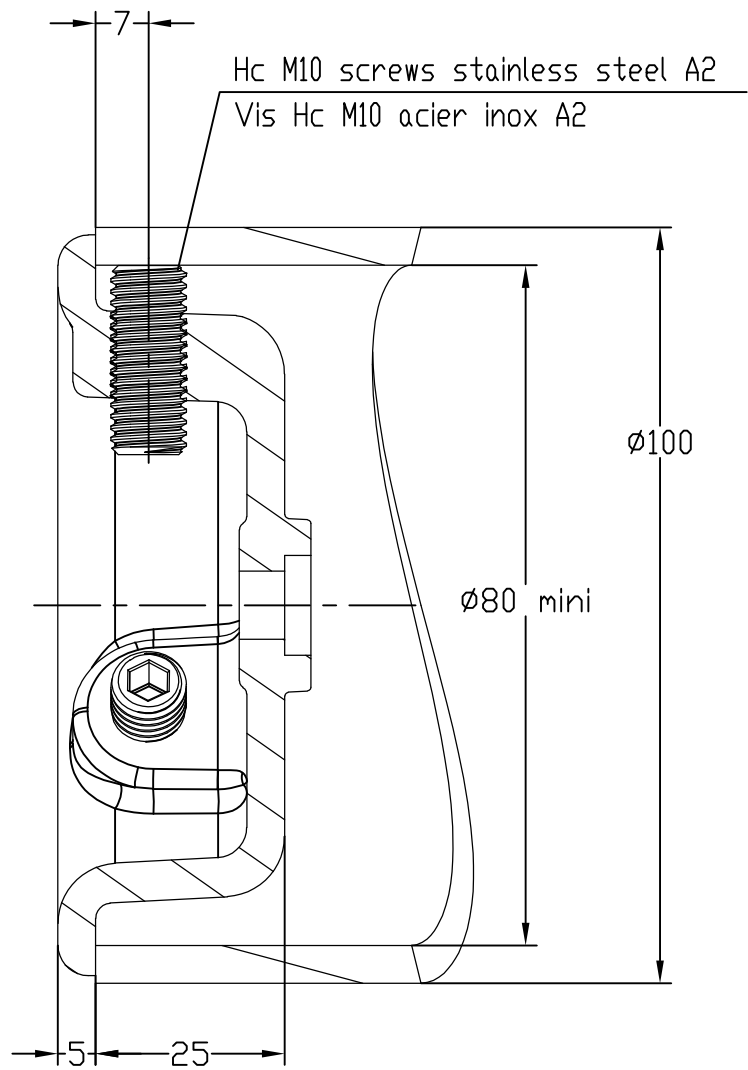
-. - .

REVISIONS

© COPYRIGHT - By -

ALL RIGHTS RESERVED.

P	LTR	DESCRIPTION	DATE	DWN	APVD
	A	CREATION	16-Sep-16	GL	-



No scale  
Sans échelle

ITEM:.....

THIS DRAWING IS A CONTROLLED DOCUMENT.		DWN	16-Sep-16		 TE Connectivity
		CHK	-		
		APVD	-		
		PRODUCT SPEC	-		
DIMENSIONS: mm		TOLERANCES UNLESS OTHERWISE SPECIFIED:		NAME	
		0 PLC ± -		END CAP FOR TUBE	
		1 PLC ± -		BOUCHON POUR TUBE	
		2 PLC ± -		5 TABP 82 T100 (0 100)	
		3 PLC ± -		APPLICATION SPEC	
		4 PLC ± -		SIZE	CAGE CODE
		4 PLC ANGLES ± -		DRAWING NO	RESTRICTED TO
MATERIAL		FINISH		APPROX.WEIGHT	
-		-		0.23 kg	A3
				CUSTOMER DRAWING	00779
				SCALE	1:1
				SHEET	1 OF 1
				REV	A