

THIS DRAWING IS UNPUBLISHED.

RELEASED FOR PUBLICATION

-. - .

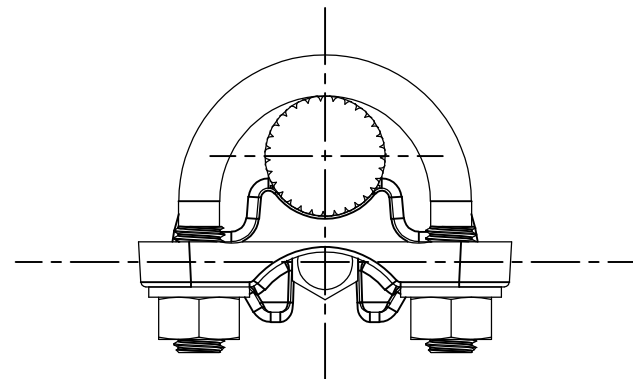
© COPYRIGHT - By -

ALL RIGHTS RESERVED.

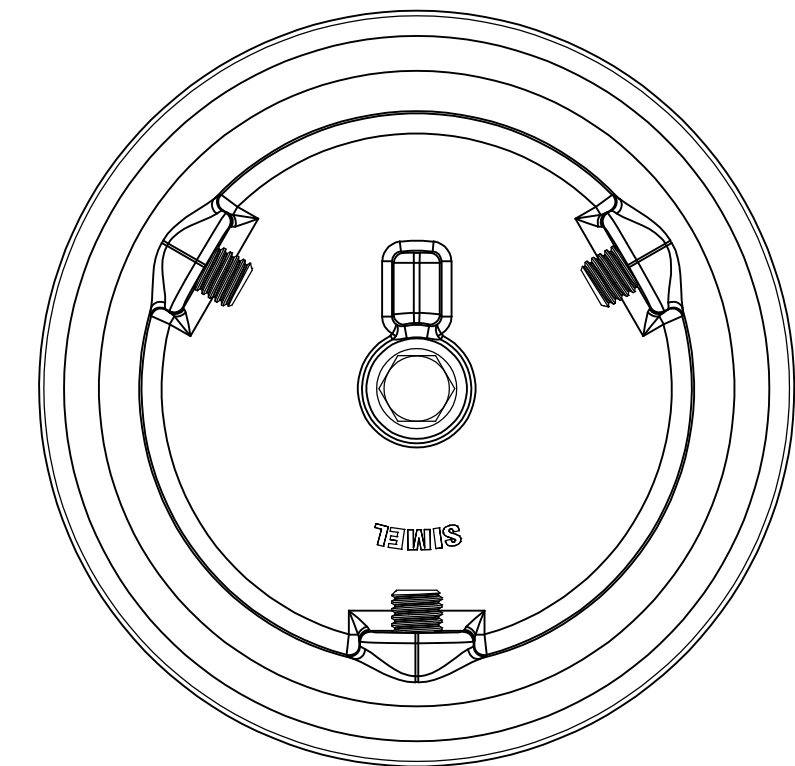
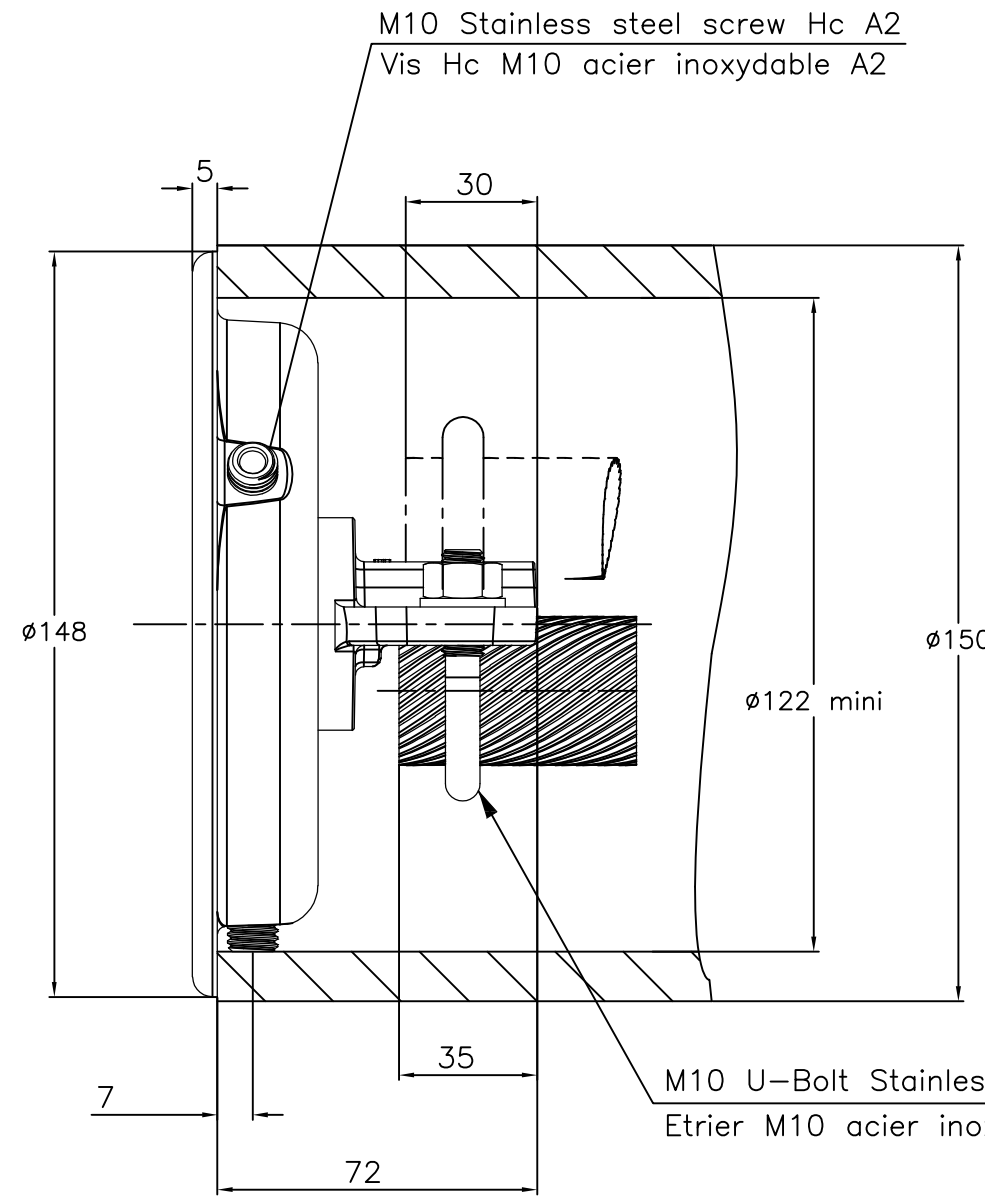
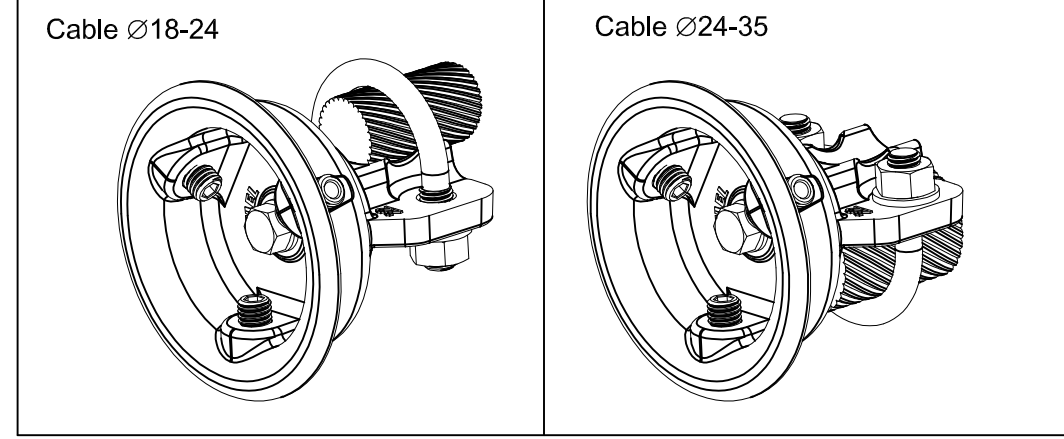
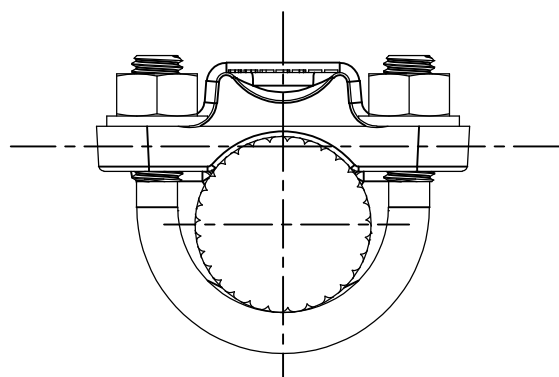
REVISIONS

P	LTR	DESCRIPTION	DATE	DWN	APVD
	A	CREATION	05-Jan-17	GL	-

Cable 18DIA to 24 assembly
Assemblage pour cable ø18 à 24



Cable 24DIA to 35 assembly
Assemblage pour cable ø24 à 35



THIS DRAWING IS A CONTROLLED DOCUMENT.		DWN LAFORGE	10-Jan-17	STE TE Connectivity	
DIMENSIONS: mm		CHK	-		
TOLERANCES UNLESS OTHERWISE SPECIFIED:		APVD	-	NAME	
0 PLC ± -		PRODUCT SPEC	108-69090-001	END CAP CABLE HOLDER	
1 PLC ± -		APPLICATION SPEC	-	BOUCHON PLAT PORT CABLE	
2 PLC ± -		SIZE	A3	CAGE CODE	00779
3 PLC ± -		DRAWING NO	C=2301089		RESTRICTED TO
4 PLC ± -		WEIGHT	0.58 kg	SCALE	3/4
ANGLES ± -		CUSTOMER DRAWING	SHEET		1 OF 1
FINISH				REV	A

ITEM:.....