

THIS DRAWING IS UNPUBLISHED.

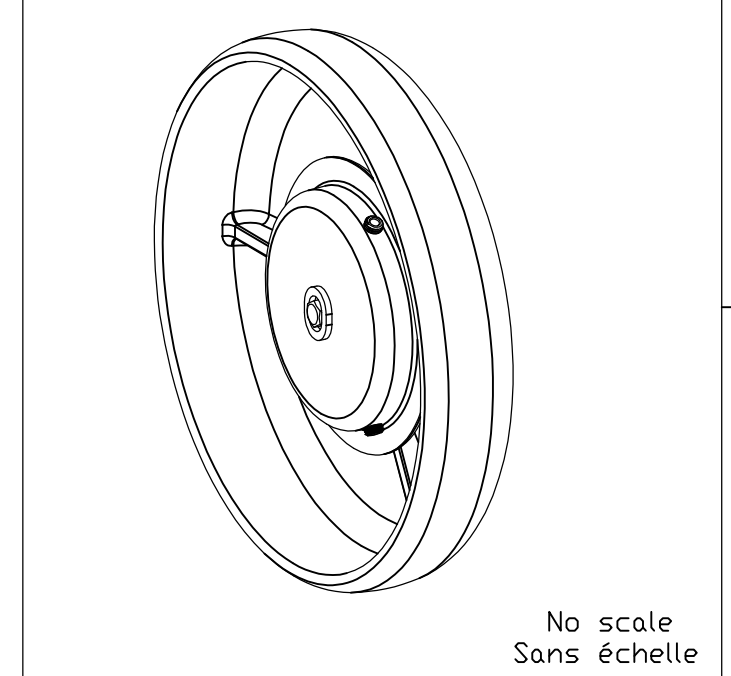
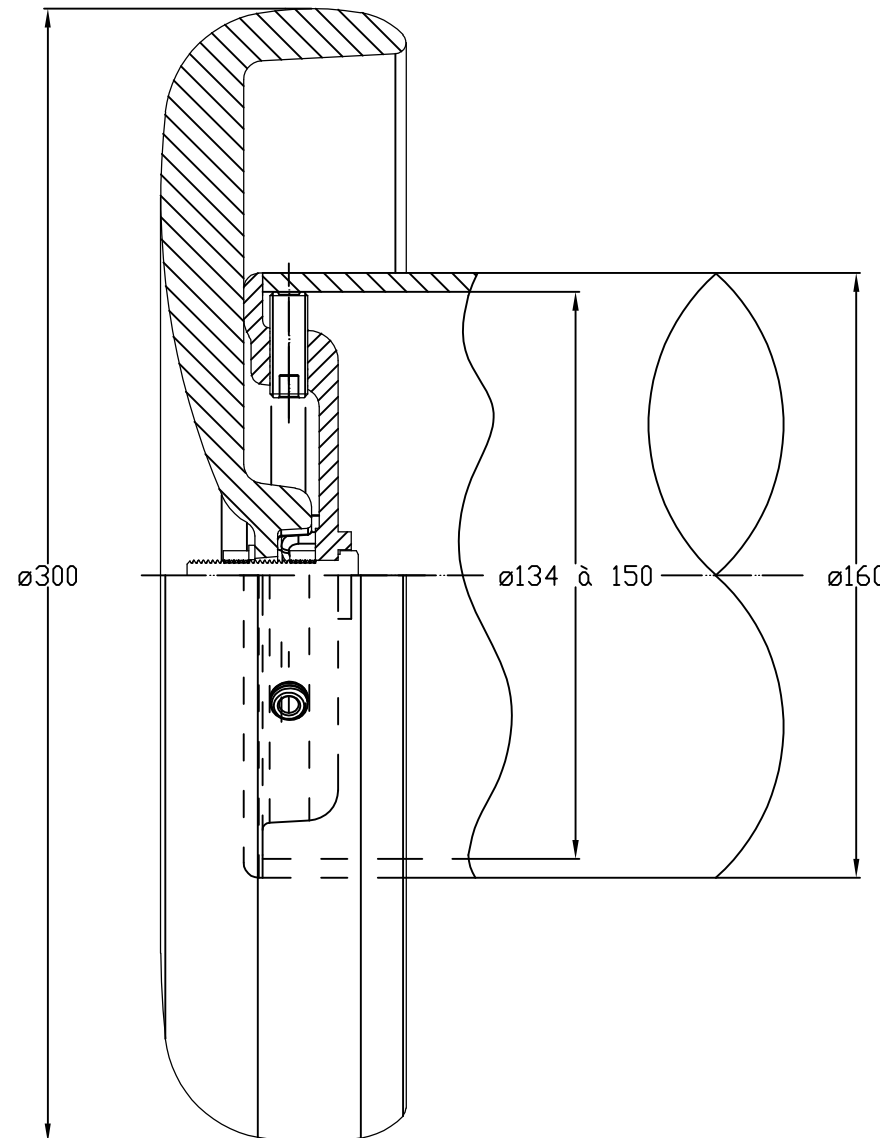
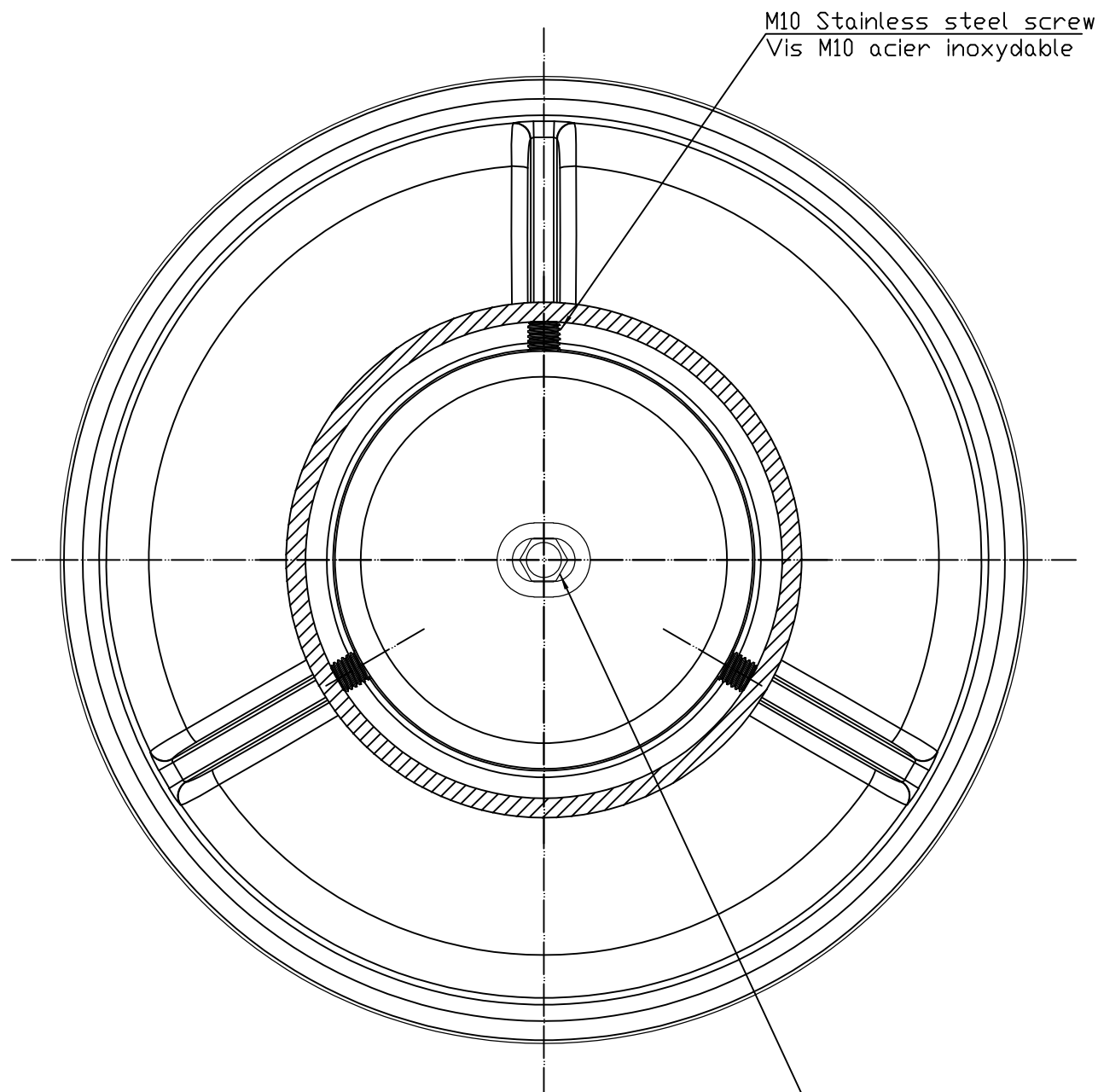
RELEASED FOR PUBLICATION

ALL RIGHTS RESERVED.

© COPYRIGHT - By -

REVISIONS


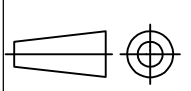
P	LTR	DESCRIPTION	DATE	DWN	APVD
	A	CREATION	28-Oct-16	JPM	-



Corona shield delivery not assembled
Capot corona livré séparément

M8 Stainless steel bolt : 20Nm
Boulon M8 acier inoxydable : 20Nm

ITEM:.....

THIS DRAWING IS A CONTROLLED DOCUMENT.		DWN	28-Oct-16		 TE Connectivity					
		CHK	-							
		APVD	-							
		PRODUCT SPEC	108-69090-001							
DIMENSIONS: mm		TOLERANCES UNLESS OTHERWISE SPECIFIED:		NAME						
		0 PLC ± -		END CAP WITH CORONA SHIELD FOR TUBE						
		1 PLC ± -		BOUCHON AVEC CAPOT CORONA POUR TUBE						
		2 PLC ± -		5 TAPA 82 T160						
		3 PLC ± -		SIZE		CAGE CODE	DRAWING NO	RESTRICTED TO		
		4 PLC ± -		A3		00779	C=2301106	-		
		ANGLES ± -		APPROX.WEIGHT		6.4 kg		SCALE	SHEET	REV
MATERIAL		FINISH		CUSTOMER DRAWING		1:2		1 OF 1		A