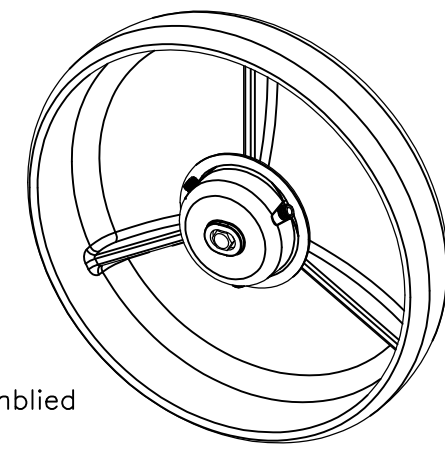
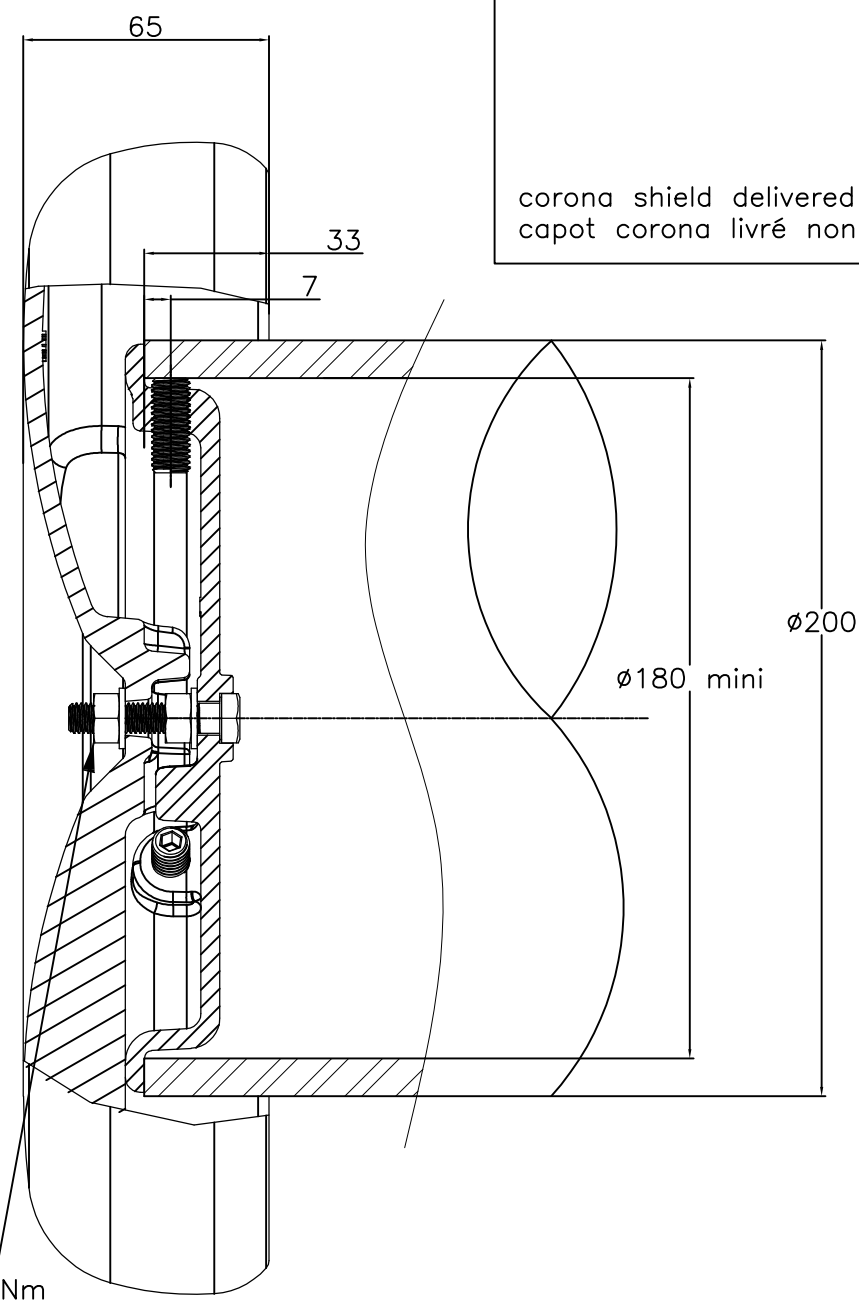
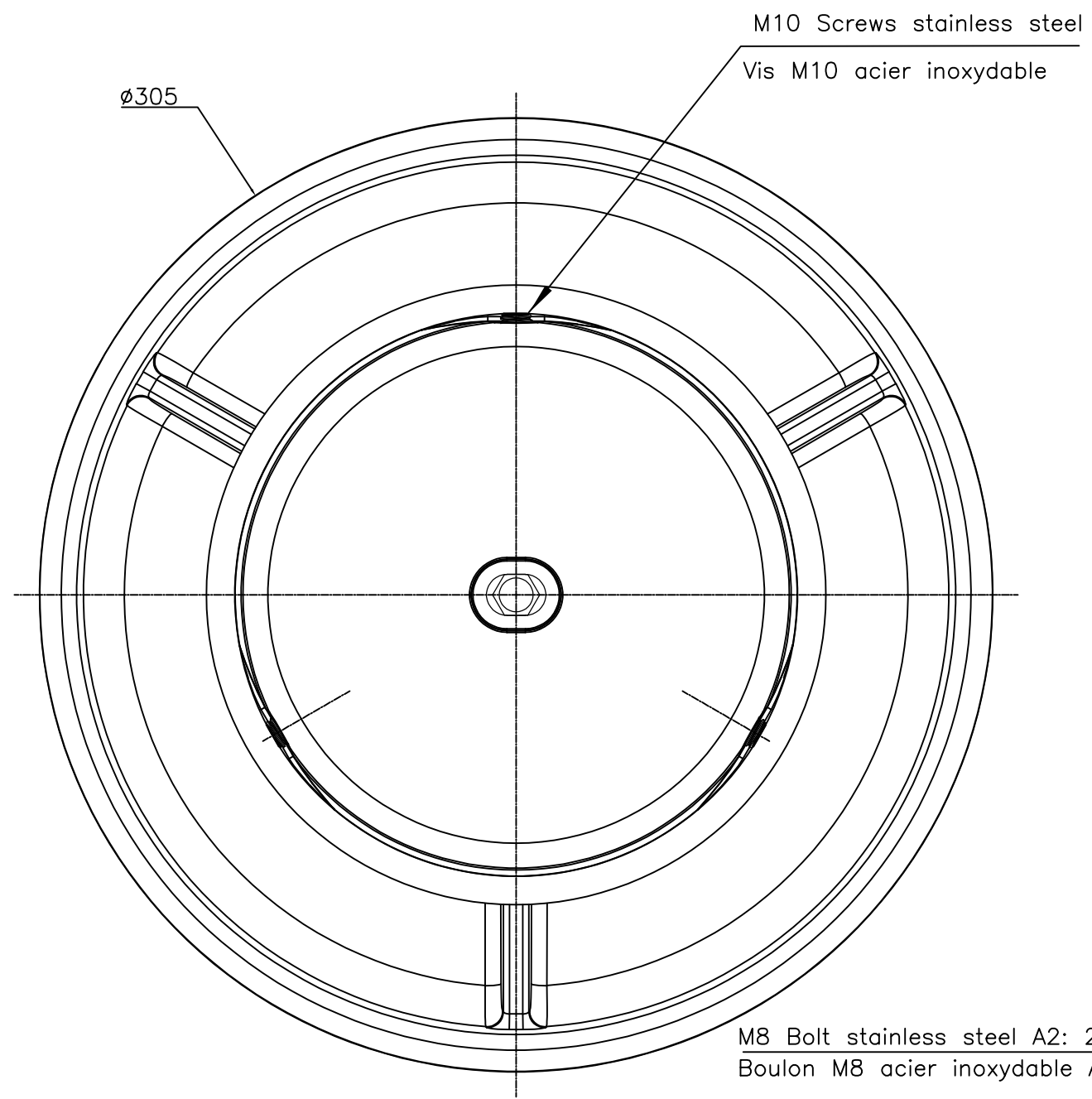


THIS DRAWING IS UNPUBLISHED.      RELEASED FOR PUBLICATION  
 © COPYRIGHT - By -      ALL RIGHTS RESERVED.

REVISIONS					
P	LTR	DESCRIPTION	DATE	DWN	APVD
	A	CREATION	05-Jan-17	GL	-


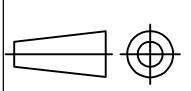


corona shield delivered not assembled  
 capot corona livré non assemblé



M8 Bolt stainless steel A2: 20Nm  
 Boulon M8 acier inoxydable A2: 20Nm

ITEM:.....

THIS DRAWING IS A CONTROLLED DOCUMENT.		DWN	05-Jan-17		 <b>TE Connectivity</b>			
		CHK	-					
		APVD	-					
		PRODUCT SPEC	-					
DIMENSIONS: mm		TOLERANCES UNLESS OTHERWISE SPECIFIED:		NAME				
		0 PLC ± -		END CAP WITH CORONA SHIELD FOR TUBE				
		1 PLC ± -		BOUCHON AVEC CAPOT CORONA POUR TUBE				
		2 PLC ± -		5 TAPA 82 T200				
		3 PLC ± -		SIZE		CAGE CODE	DRAWING NO	RESTRICTED TO
		4 PLC ± -		APPROX.WEIGHT		A3 00779		C=2301107
MATERIAL		FINISH		CUSTOMER DRAWING		SCALE	SHEET	REV
-		-		3 kg		1:2	1 OF 1	A