

THIS DRAWING IS UNPUBLISHED.

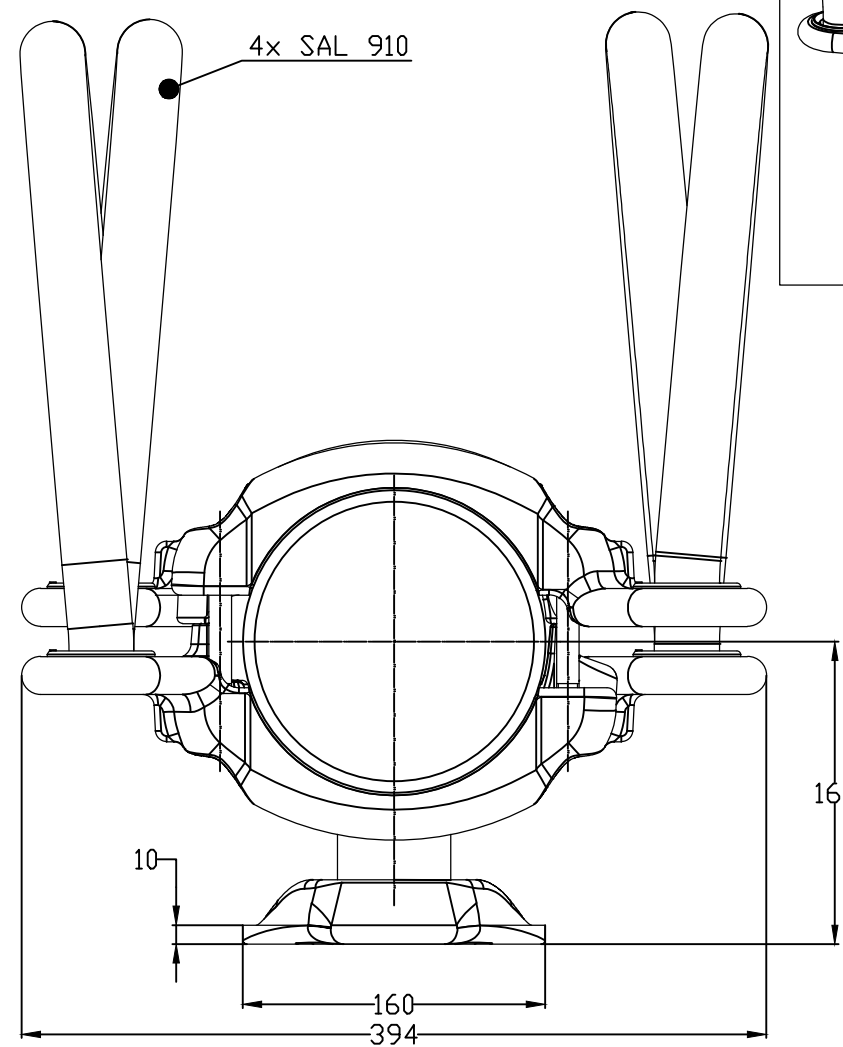
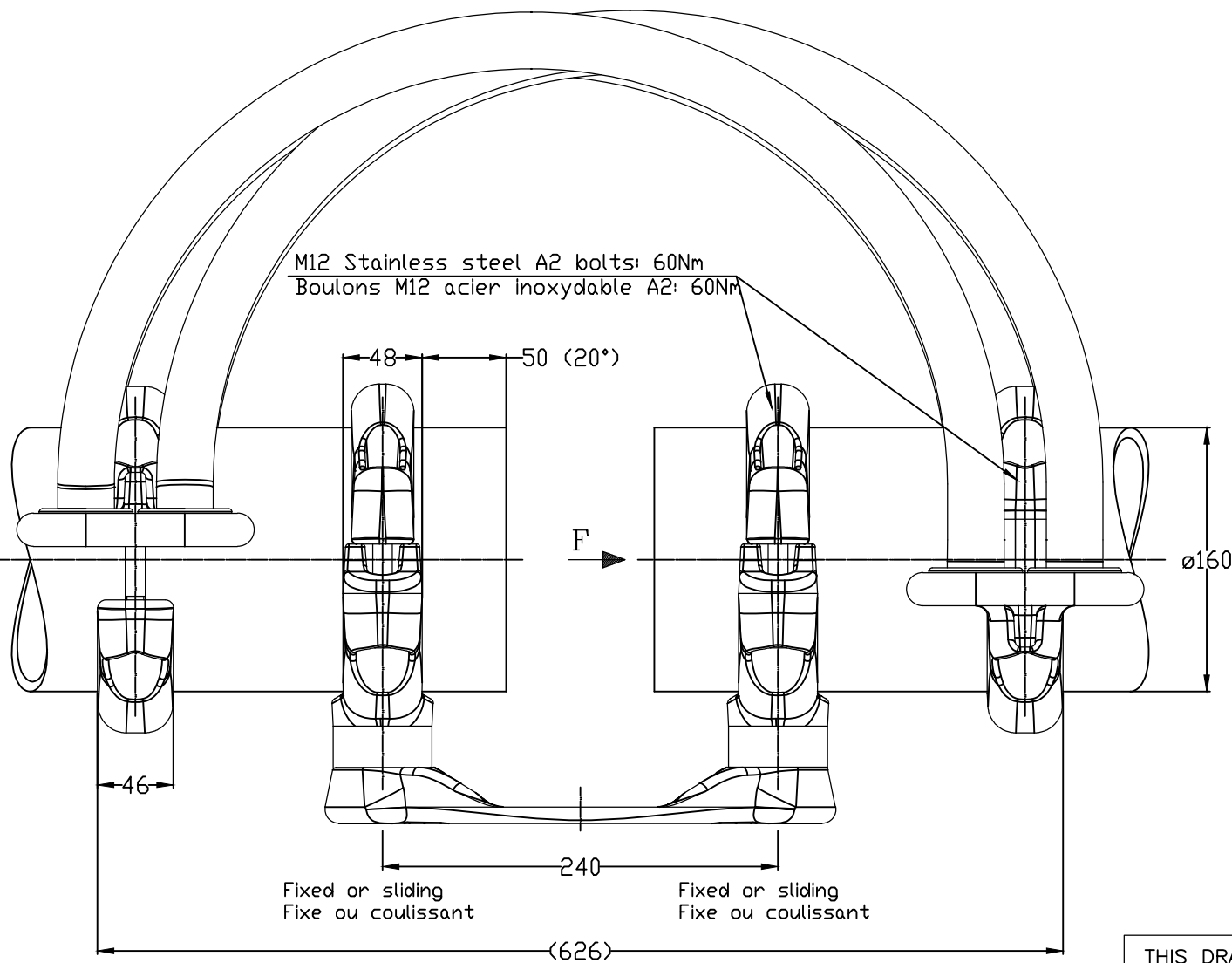
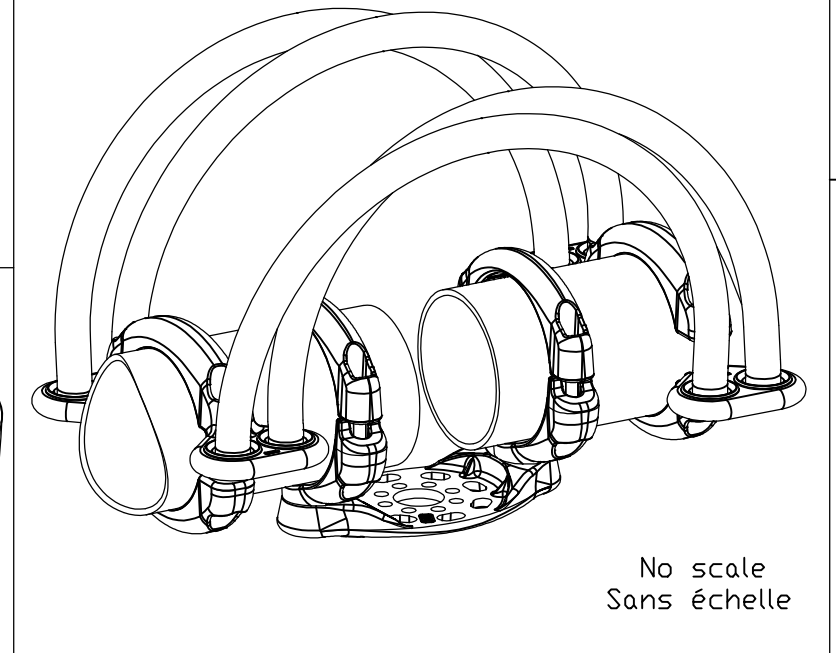
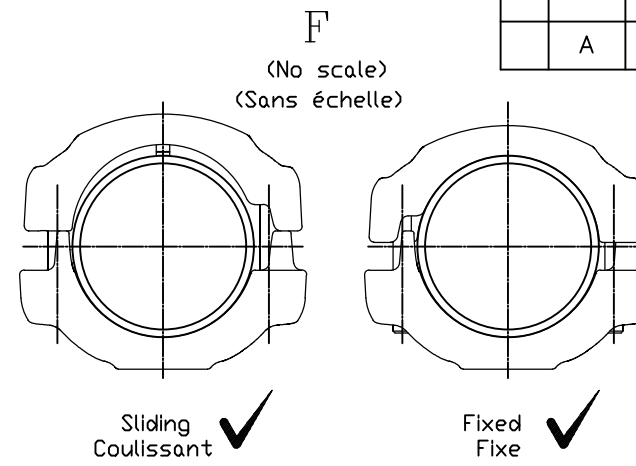
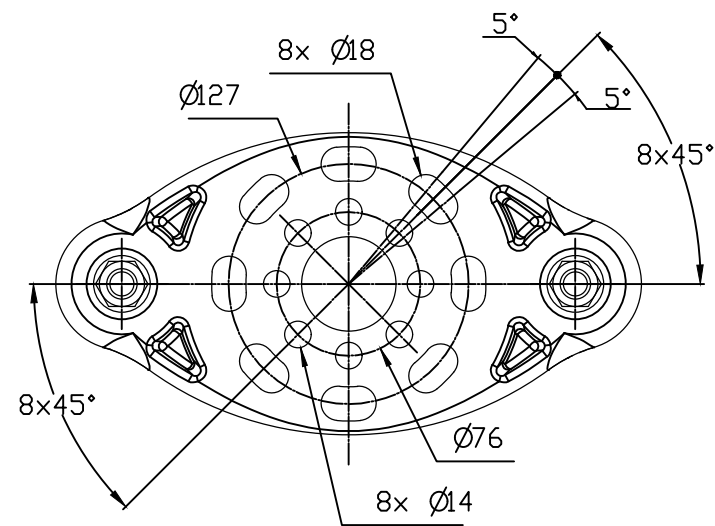
RELEASED FOR PUBLICATION

ALL RIGHTS RESERVED.

© COPYRIGHT - By -

REVISIONS

| P | LTR      | DESCRIPTION | DATE      | DWN | APVD |
|---|----------|-------------|-----------|-----|------|
| A | CREATION |             | 30-AUG-18 | GL  | -    |



THIS DRAWING IS A CONTROLLED DOCUMENT.

DWN LAFORGE 30-AUG-18

CHK -

APVD -

PRODUCT SPEC

108-69090-001

APPLICATION SPEC

-

APPROX.WEIGHT 18 kg

CUSTOMER DRAWING



NAME FLEXIBLE JUNCTION BUSBAR SUPPORT ON BPI SUPPORT JONCTION FLEXIBLE POUR TUBES SUR ISO

5 TJL 82 P3-P5 T160 49 H160

SIZE CAGE CODE DRAWING NO RESTRICTED TO

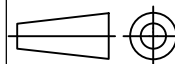
A3 00779 C=2305116 -

SCALE 1:4 SHEET 1 OF 1 REV A

DIMENSIONS: mm

TOLERANCES UNLESS OTHERWISE SPECIFIED:

- 0 PLC ± -
- 1 PLC ± -
- 2 PLC ± -
- 3 PLC ± -
- 4 PLC ± -
- ANGLES ± -
- FINISH -



ITEM:.....