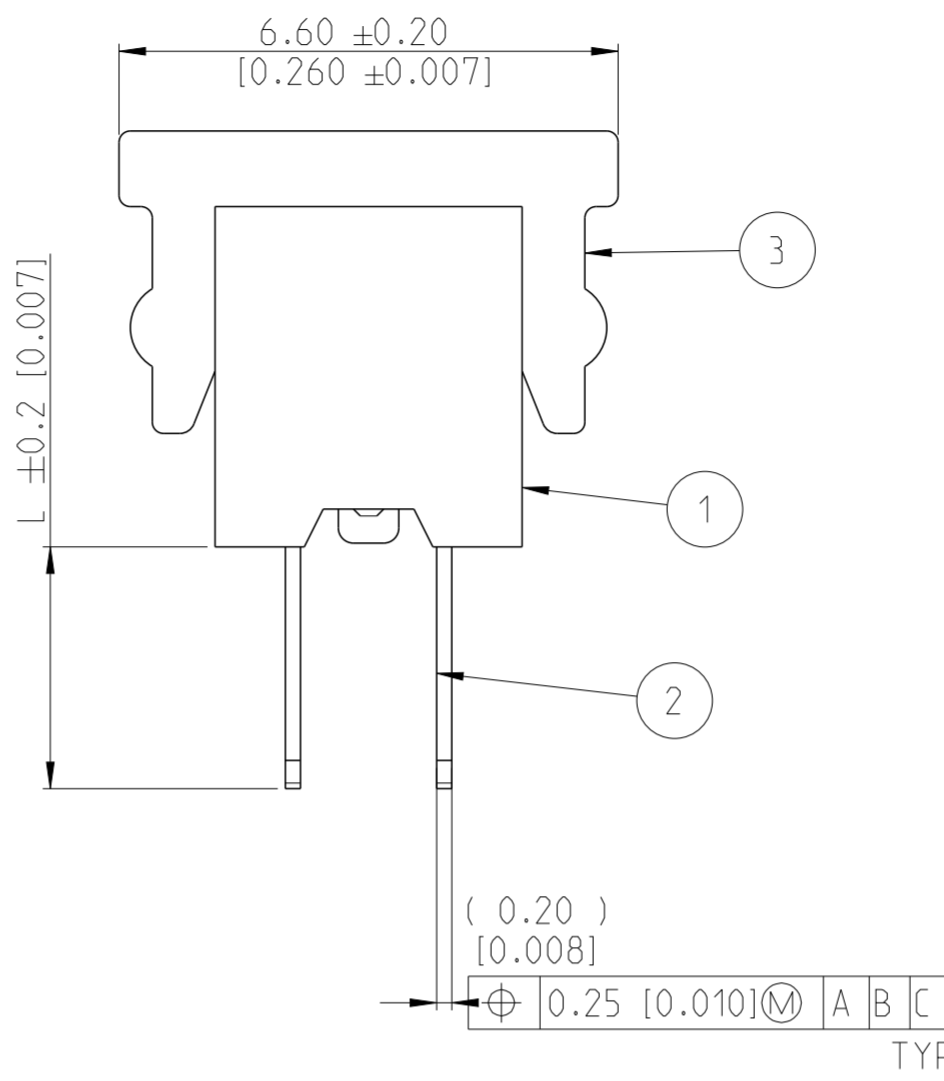
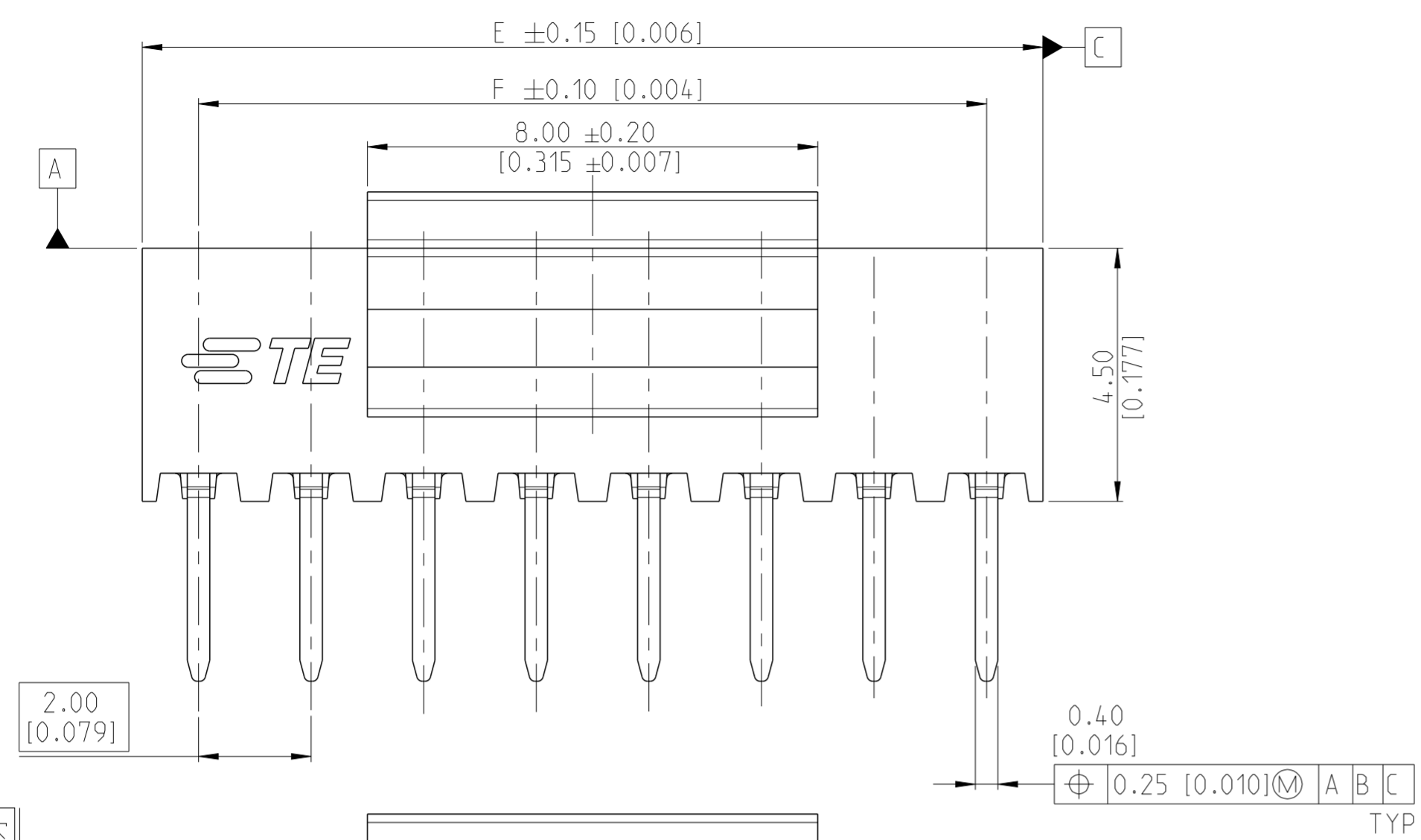
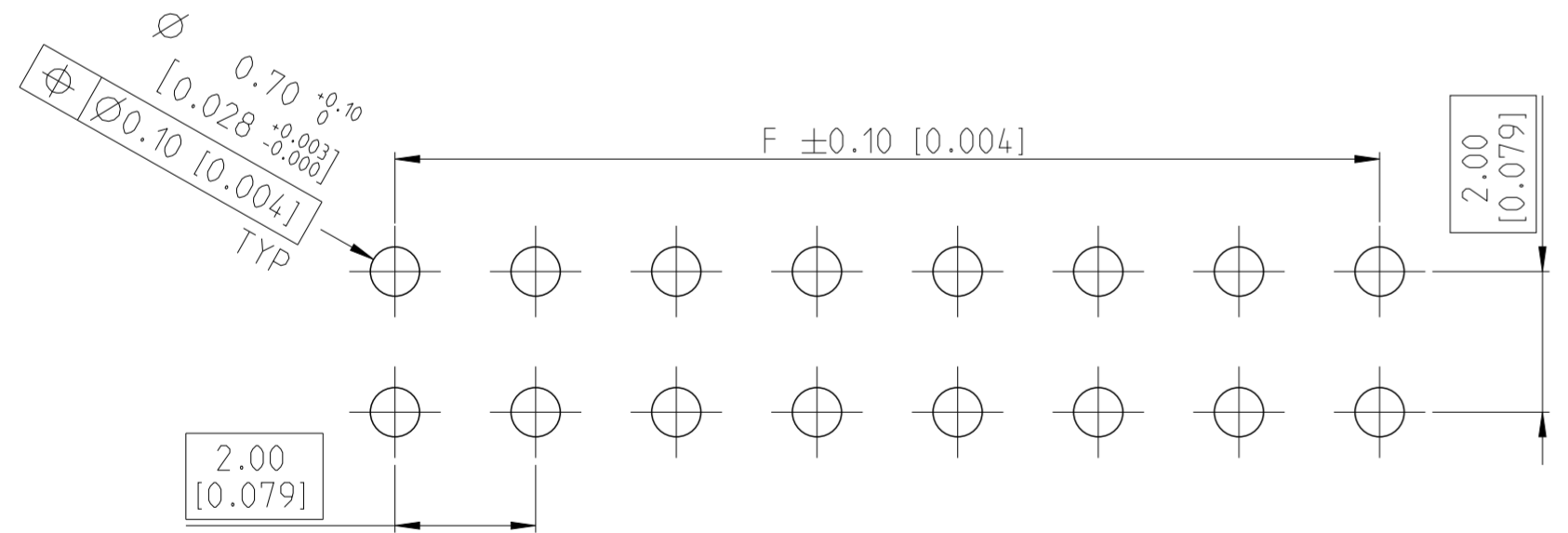
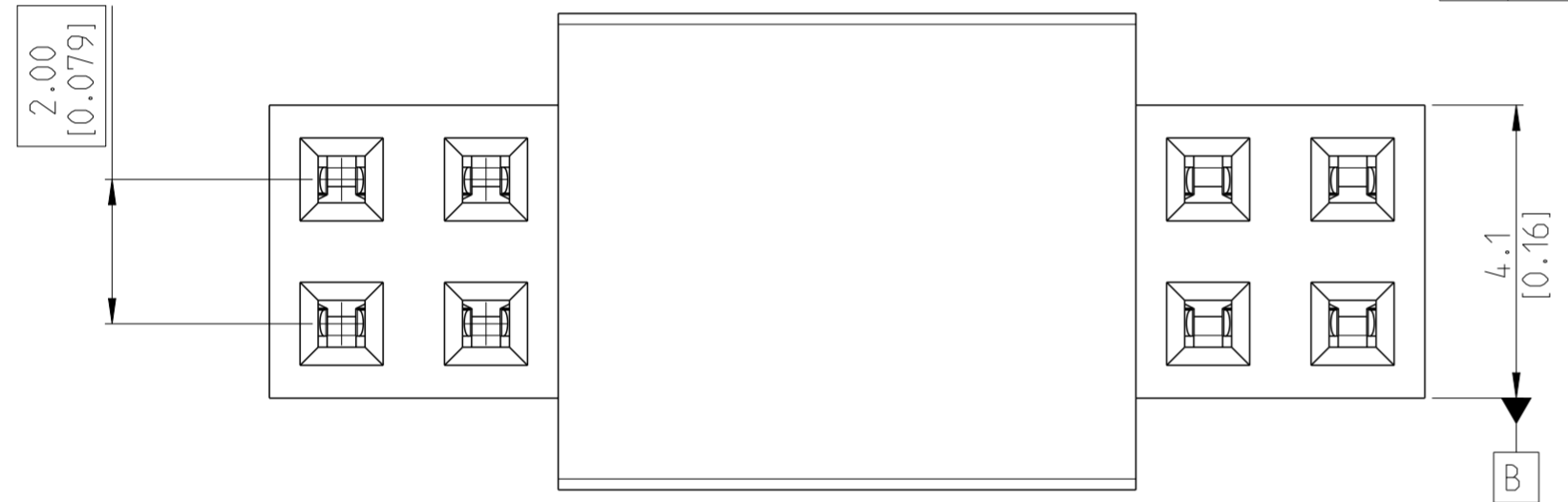


P	LTR	DESCRIPTION	DATE	DWN	APVD
A		RELEASE GOLD PLATED VERSIONS TO PRODUCTION	04SEP2019	AY	PS
A1		RELEASE TIN PLATED VERSIONS TO PRODUCTION	14APR2020	AY	PS
A2		SMART PN DETAILS ADDED	19APR2022	SCB	PS

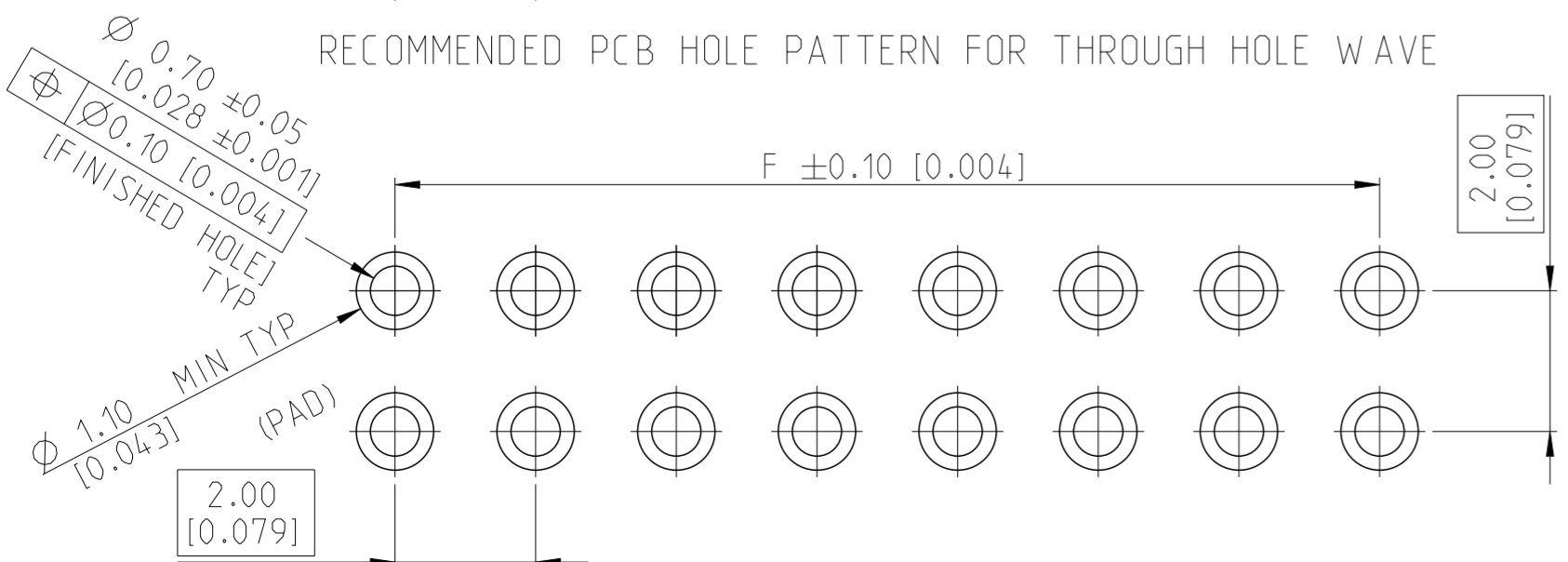


- NOTES:
- MATERIAL:
HOUSING AND P&P CAP: LCP, UL94 V0, BLACK
CONTACT: PHOSPHOR BRONZE, 0.20mm THICK
- FINISH:
- △2 ALL OVER 3-5 μm TIN OVER MIN 1.27 μm NICKEL UNDERPLATE
 - △3 CONTACT AREA: MIN 0.1 μm GOLD
SOLDER TAIL: 3-5 μm TIN
UNDERPLATING: MIN 1.27 μm NICKEL ALL OVER
 - △4 CONTACT AREA: MIN 0.38 μm GOLD
SOLDER TAIL: 3-5 μm TIN
UNDERPLATING: MIN 1.27 μm NICKEL ALL OVER
 - △5 CONTACT AREA: MIN 0.76 μm GOLD
SOLDER TAIL: 3-5 μm TIN
UNDERPLATING: MIN 1.27 μm NICKEL ALL OVER
6. N = NO. OF POSITIONS PER CONNECTOR

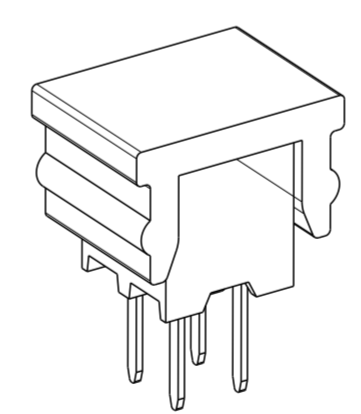
DESCRIPTION	ITEM
P&P CAP	3
CONTACT	2
HOUSING	1



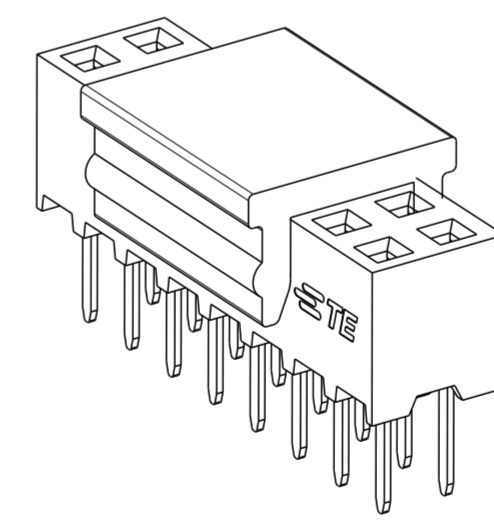
RECOMMENDED PCB HOLE PATTERN FOR THROUGH HOLE WAVE



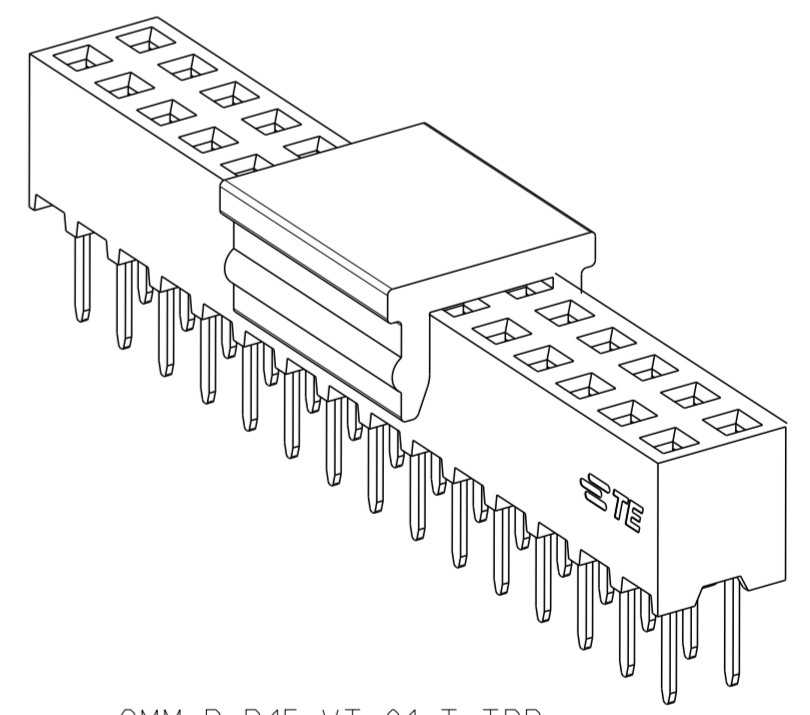
RECOMMENDED PCB HOLE PATTERN FOR THROUGH HOLE REFLOW / PIN-IN PASTE



2MM-R-D02-VT-01-T-TRP AS SHOWN



2MM-R-D08-VT-01-T-TRP AS SHOWN



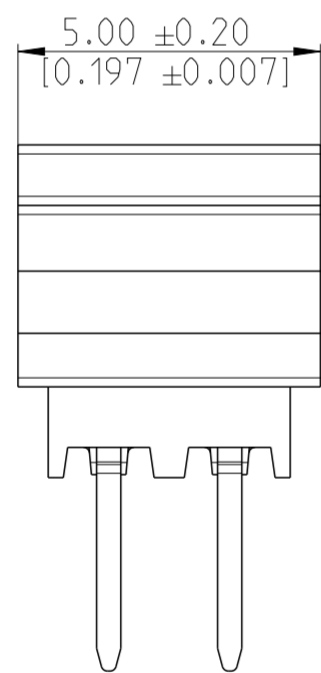
2MM-R-D15-VT-01-T-TRP AS SHOWN

THIS DRAWING IS A CONTROLLED DOCUMENT.		DWN 02NOV2017 SOURAV DAS	TE Connectivity	
DIMENSIONS: mm [inch]		CHK 19JULY2018 SHARATH S		
TOLERANCES UNLESS OTHERWISE SPECIFIED: 0 PLC ± 1 PLC ±0.2 2 PLC ±0.1 [0.008] 3 PLC ± [0.004] 4 PLC ± ANGLES ±2°		APVD 19JULY2018 PRASHANTH S	PRODUCT SPEC 108-64040	SIZE A2
MATERIAL SEE NOTES		APPLICATION SPEC 114-32186	RESTRICTED TO -	SCALE 5:1
FINISH SEE NOTES		WEIGHT -	DRAWING NO C-2307776	SHEET 1 OF 3
-		CUSTOMER DRAWING	REV A2	

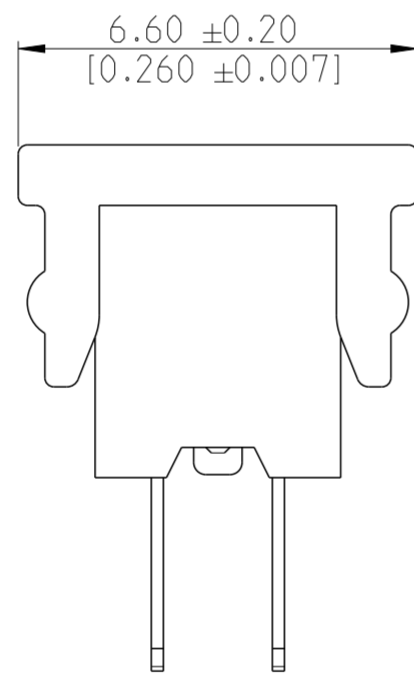
P	LTR	DESCRIPTION	DATE	DWN	APVD
-	-	SEE SHEET 1	-	-	-

MATING SIDE PLATING (FINISH)	"L" SOLDER TAIL LENGTH	BTB RECEPTACLE BASE NUMBERS		
		TAPE & REEL PKG W/ CAP	TUBE PKG W/ CAP	TUBE PKG W/O CAP
TIN △ ₂	2.0[0.079]	2MM-R-D__-VT-01-T-TRP	2MM-R-D__-VT-01-T-TBP	A/R
	2.7[0.106]	2MM-R-D__-VT-02-T-TRP	2MM-R-D__-VT-02-T-TBP	2MM-R-D__-VT-02-T-TB
	3.2[0.126]	A/R	A/R	2MM-R-D__-VT-03-T-TB
GOLD FLASH 0.1µm △ ₃	2.0[0.079]	2MM-R-D__-VT-01-F-TRP	2MM-R-D__-VT-01-F-TBP	A/R
	2.7[0.106]	2MM-R-D__-VT-02-F-TRP	2MM-R-D__-VT-02-F-TBP	2MM-R-D__-VT-02-F-TB
	3.2[0.126]	A/R	A/R	2MM-R-D__-VT-03-F-TB
GOLD 0.38µm △ ₄	2.0[0.079]	2MM-R-D__-VT-01-M-TRP	2MM-R-D__-VT-01-M-TBP	A/R
	2.7[0.106]	2MM-R-D__-VT-02-M-TRP	2MM-R-D__-VT-02-M-TBP	2MM-R-D__-VT-02-M-TB
	3.2[0.126]	A/R	A/R	2MM-R-D__-VT-03-M-TB
GOLD 0.76µm △ ₅	2.0[0.079]	2MM-R-D__-VT-01-H-TRP	2MM-R-D__-VT-01-H-TBP	A/R
	2.7[0.106]	2MM-R-D__-VT-02-H-TRP	2MM-R-D__-VT-02-H-TBP	2MM-R-D__-VT-02-H-TB
	3.2[0.126]	A/R	A/R	2MM-R-D__-VT-03-H-TB

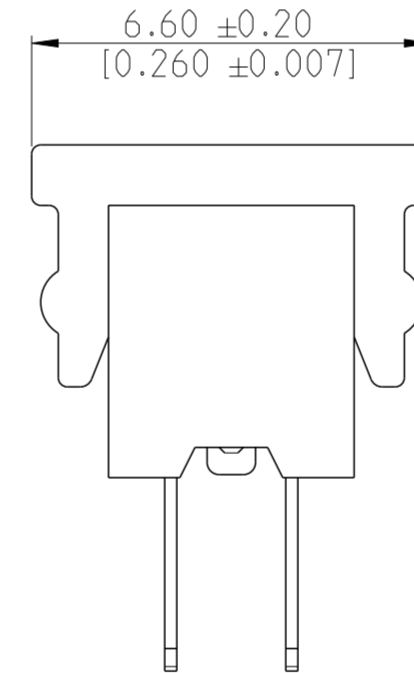
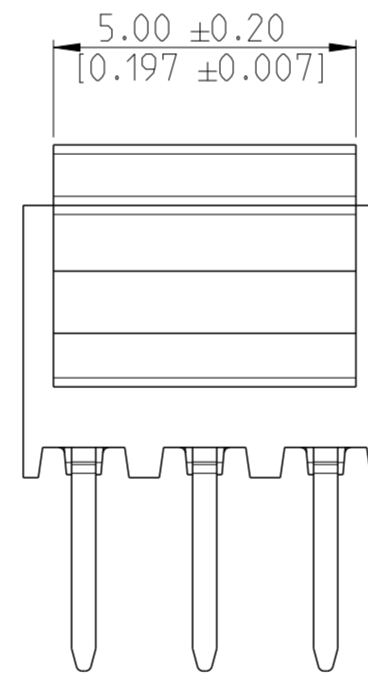
* A/R- AVAILABLE ON REQUEST



2MM-R-D02-VT-01-T-TRP AS SHOWN



2MM-R-D03-VT-01-T-TRP AS SHOWN



48	50	50	2MM-R-D25-VT-01-T-TRP
46	48	48	2MM-R-D24-VT-01-T-TRP
44	46	46	2MM-R-D23-VT-01-T-TRP
42	44	44	2MM-R-D22-VT-01-T-TRP
40	42	42	2MM-R-D21-VT-01-T-TRP
38	40	40	2MM-R-D20-VT-01-T-TRP
36	38	38	2MM-R-D19-VT-01-T-TRP
34	36	36	2MM-R-D18-VT-01-T-TRP
32	34	34	2MM-R-D17-VT-01-T-TRP
30	32	32	2MM-R-D16-VT-01-T-TRP
28	30	30	2MM-R-D15-VT-01-T-TRP
26	28	28	2MM-R-D14-VT-01-T-TRP
24	26	26	2MM-R-D13-VT-01-T-TRP
22	24	24	2MM-R-D12-VT-01-T-TRP
20	22	22	2MM-R-D11-VT-01-T-TRP
18	20	20	2MM-R-D10-VT-01-T-TRP
16	18	18	2MM-R-D09-VT-01-T-TRP
14	16	16	2MM-R-D08-VT-01-T-TRP
12	14	14	2MM-R-D07-VT-01-T-TRP
10	12	12	2MM-R-D06-VT-01-T-TRP
8	10	10	2MM-R-D05-VT-01-T-TRP
6	8	8	2MM-R-D04-VT-01-T-TRP
4	6	6	2MM-R-D03-VT-01-T-TRP
2	4	4	2MM-R-D02-VT-01-T-TRP
DIM "F"	DIM "E"	N	SMART PN

THIS DRAWING IS A CONTROLLED DOCUMENT.		DWN SOURAV DAS 02NOV2017	TE Connectivity	
		CHK SHARATH S 19JULY2018		
DIMENSIONS: mm [inch]		APVD PRASHANTH S 19JULY2018	NAME AMPMODU 2mm BtB DRVT TOP ENTRY TH/THR	
TOLERANCES UNLESS OTHERWISE SPECIFIED: 0 PLC ± 1 PLC ±0.2 2 PLC ±0.1 [0.008] 3 PLC ± [0.004] 4 PLC ± ANGLES ±2°		PRODUCT SPEC 108-64040	RESTRICTED TO	
MATERIAL SEE NOTES		APPLICATION SPEC 114-32186	SIZE A2	CAGE CODE 100779
		WEIGHT -	DRAWING NO C-2307776	SCALE 5:1
		CUSTOMER DRAWING	SHEET 2 OF 3	REV A2

REVISIONS

P	LTR	DESCRIPTION	DATE	DWN	APVD
-	-	SEE SHEET 1	-	-	-

SMART PART NUMBER
 2MM - R - D__ - VT - __ - - - -

PRODUCT SERIES
 2MM AMPMODU 2mm SERIES

PACKAGING
 TB TUBE WITHOUT CAP
 TRP TAPE AND REELING WITH CAP
 TBP TUBE WITH CAP

GENDER / TYPE
 R RECEPTACLE

PLATING
 T TIN
 F GOLD FLASH
 M 15 μm GOLD
 H 30 μm GOLD

NUMBER OF ROWS
 D DOUBLE ROW


TAIL LENGTH
 01 2.0 mm
 02 2.7 mm
 03 3.2 mm

NUMBER OF PINS PER ROW
 XX 02 THROUGH 25
 (ENTER TWO DIGITS)

ORIENTATION & TERMINATION
 VT VERTICAL THROUGH HOLE

SMART PN EXAMPLES:

- 2MM-R-D02-VT-01-T-TRP :
 AMPMODU 2mm, RECEPTACLE, DOUBLE ROW, 02 POSITION PER ROW, VERTICAL THROUGH HOLE, 2.0 mm TAIL LENGTH, TIN PLATED, TAPE AND REEL WITH CAP PACKAGING
- 2MM-R-D25-VT-03-H-TB :
 AMPMODU 2mm, RECEPTACLE, DOUBLE ROW, 25 POSITION PER ROW, VERTICAL THROUGH HOLE, 3.2 mm TAIL LENGTH, 30 μm GOLD PLATED, TUBE WITHOUT CAP PACKAGING

THIS DRAWING IS A CONTROLLED DOCUMENT.		DWN 02NOV2017 SOURAV DAS	 TE Connectivity	
		CHK 19JULY2018 SHARATH S		
DIMENSIONS: mm [inch]		APVD 19JULY2018 PRASHANTH S	NAME AMPMODU 2mm BtB DRVT TOP ENTRY TH/THR	
TOLERANCES UNLESS OTHERWISE SPECIFIED: 0 PLC ± 1 PLC ±0.2 2 PLC ±0.1 [0.008] 3 PLC ± [0.004] 4 PLC ± ANGLES ±2°		PRODUCT SPEC 108-64040	RESTRICTED TO	
MATERIAL SEE NOTES		APPLICATION SPEC 114-32186	SIZE A2	CAGE CODE 00779
FINISH SEE NOTES		WEIGHT -	DRAWING NO C-2307776	SCALE 5:1
		CUSTOMER DRAWING	SHEET 3 OF 3	REV A2