

P	LTR	DESCRIPTION	DATE	DWN	APVD
	A1	REVISED NOTES	30OCT2019	MZ	MZ
	B	REVISED PER ECR-19-019350	18DEC2019	SB	FD
	B1	REVISED PER ECR-20-015354	28OCT2020	SR	FD
	C	REVISED PER ECR-21-108141	19JUL2021	SM	FD

NOTES:

DIMENSIONS BEFORE APPLICATION

1. MATERIALS:

CONTACT : COPPER ALLOY, TIN PLATED  
 HOUSING: PPE+PS; COLOR: DARK GREY  
 BUTTON: PPE+PS; COLOR: DARK GREY

2. APPLICABLE CABLES:

A) APPROVED ACCORDING UL FILE E353372 FOR SOLAR CABLES FROM 5.5 mm TO 7.2 mm

B) APPROVED ACCORDING TUV RHEINLAND CERTIFICATE NUMBER R60152499.0001 FOR FOLLOWING CABLE TYPES FROM DEFINED MANUFACTURERS:

- TE CABLE PN 2328394, 2.5 mm<sup>2</sup> (14 AWG)
- TE CABLE PN 2270245, 4 mm<sup>2</sup> (12 AWG)
- TE CABLE PN 2270260, 4 mm<sup>2</sup> (12 AWG)
- TE CABLE PN 2328400, 6 mm<sup>2</sup> (10 AWG)
- TE CABLE PN 2270215, 4 mm<sup>2</sup> (12 AWG)
- TE CABLE PN 2270259, 4 mm<sup>2</sup> (12 AWG)

- BYSON 6351D 2.5mm<sup>2</sup>/14AWG
- BYSON 6352D 4mm<sup>2</sup>/12AWG
- BYSON 6353D 6mm<sup>2</sup>/10AWG
- HONGLIN DPN4012A20 4mm<sup>2</sup>/12AWG

3. MATING CONNECTORS, TE PART NO.:

- 2315176-1 (SOLARLOK 2.0)
- x-2270024-y (PV4-S)
- x-1971920-y (PV4-PM)

4. NOTE REMOVED

5 MOULDING PRODUCTION DATE MARKING

6 AREA FOR LASER PRINTING DATA MATRIX AND PARTNUMBER  
 P P P P P P P P V Y Y W D F L # # # # #

- P P P P P P P P = PART NUMBER
- V = VERSION CUSTOMER DRAWING
- Y Y = LAST TWO DIGITS OF YEAR 19
- W W = WEEK NUMBER
- D = WEEKDAY (1 MONDAY)
- F = FACTORY CODE (S = SZCZECIN, T = TRUTNOV)
- L = MANUFACTURING LINE (M=MANUAL, A=AUTOMATIC)
- # # # # # = SERIAL NUMBER (PRODUCTION PER DAY)

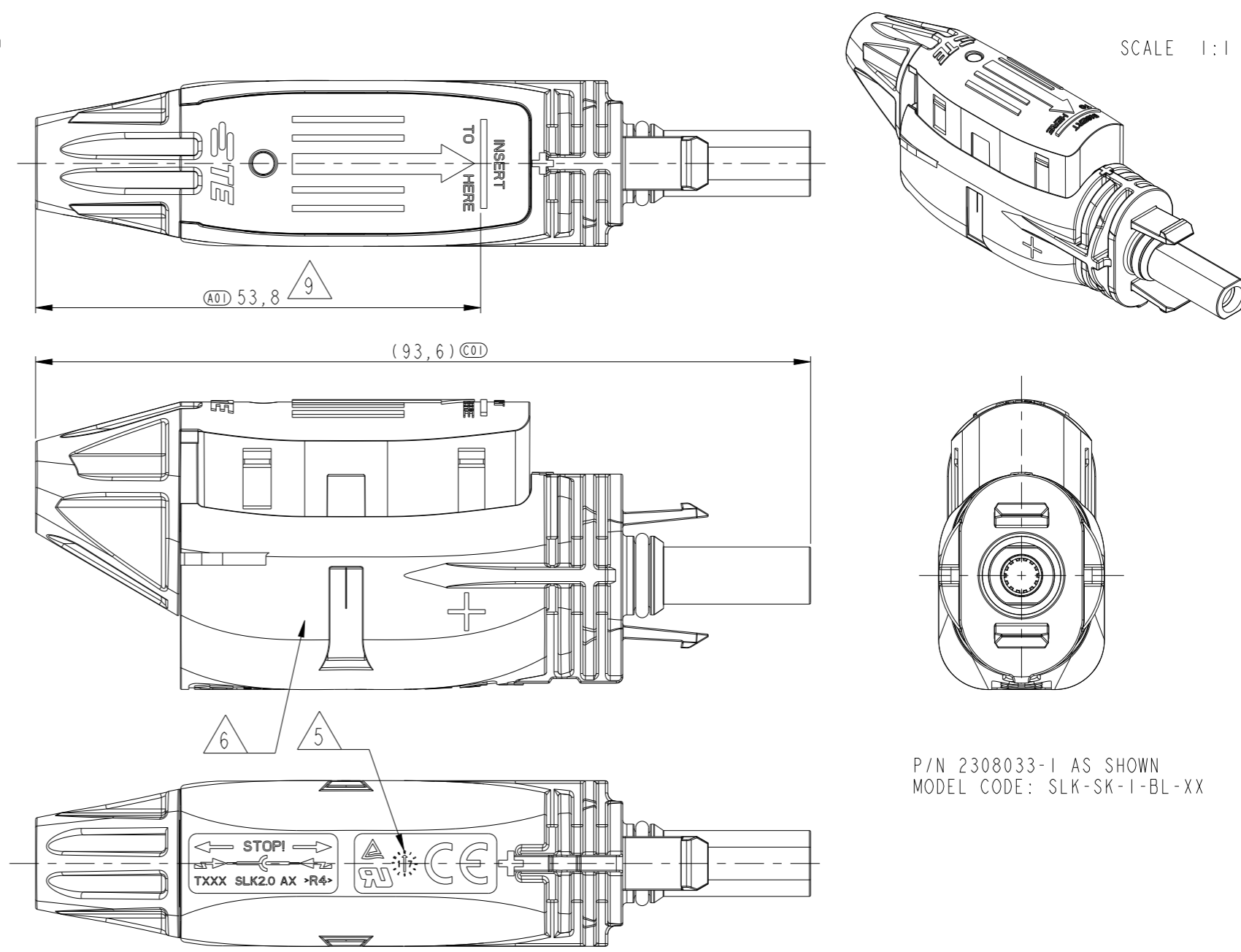
7 CABLE FOR REFERENCE ONLY

8 WHEN BUTTON AND HOUSING RIBS ARE ALIGNED, THE CONNECTOR IS CORRECTLY TERMINATED


9 MINIMUM CABLE INSERTION LENGTH 53.8 ± 2 mm

10. CHECK APPLICATION SPEC 114-133104 FOR PROPER CABLE CONNECTION

11. FOR PACKAGING FORMAT AND QUANTITY SEE 107-133104.



P/N 2308033-1 AS SHOWN  
 MODEL CODE: SLK-SK-1-BL-XX

THIS DRAWING IS A CONTROLLED DOCUMENT.		DWN 17NOV2017 RAGHAVENDRA.K		 TE Connectivity	
DIMENSIONS: mm		CHK 31JAN2018 F.DENDAS			
TOLERANCES UNLESS OTHERWISE SPECIFIED:		APVD 31JAN2018 O.LFIJNSE		NAME SOLARLOK 2.0 SOCKET CONNECTOR	
0 PLC ±0.5		PRODUCT SPEC 108-133104		SIZE	
1 PLC ±0.5		APPLICATION SPEC 114-133104		CAGE CODE A3 00779	
2 PLC ±0.5		WEIGHT -		DRAWING NO C-2308033	
3 PLC ±		CUSTOMER DRAWING		RESTRICTED TO -	
4 PLC ±		SCALE 3:2		SHEET 1 OF 2	
4 PLC ANGLES ±3°		REV C			
FINISH -					
MATERIAL SEE NOTES					

THIS DRAWING IS UNPUBLISHED.

RELEASED FOR PUBLICATION

20

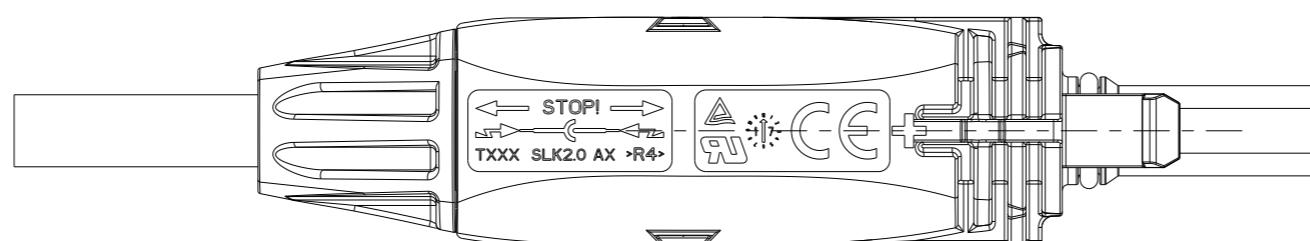
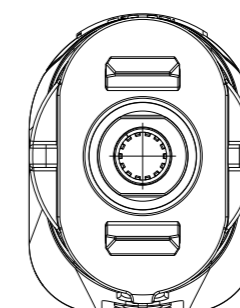
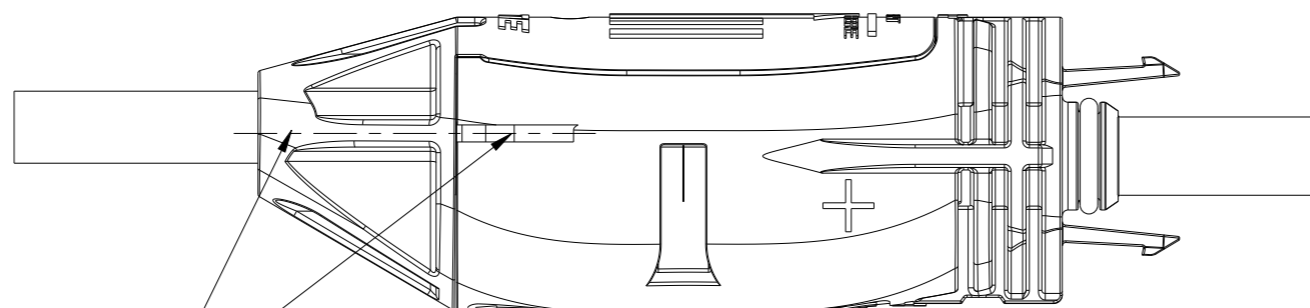
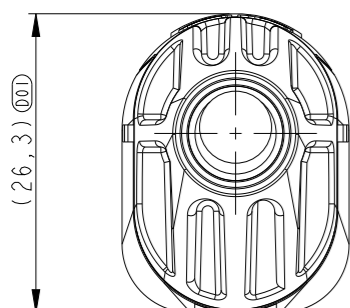
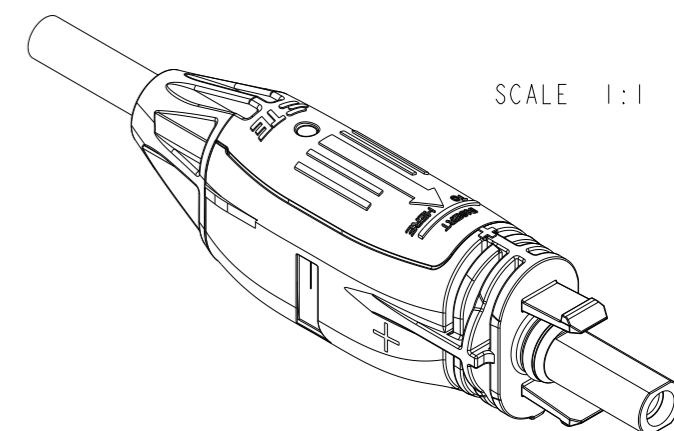
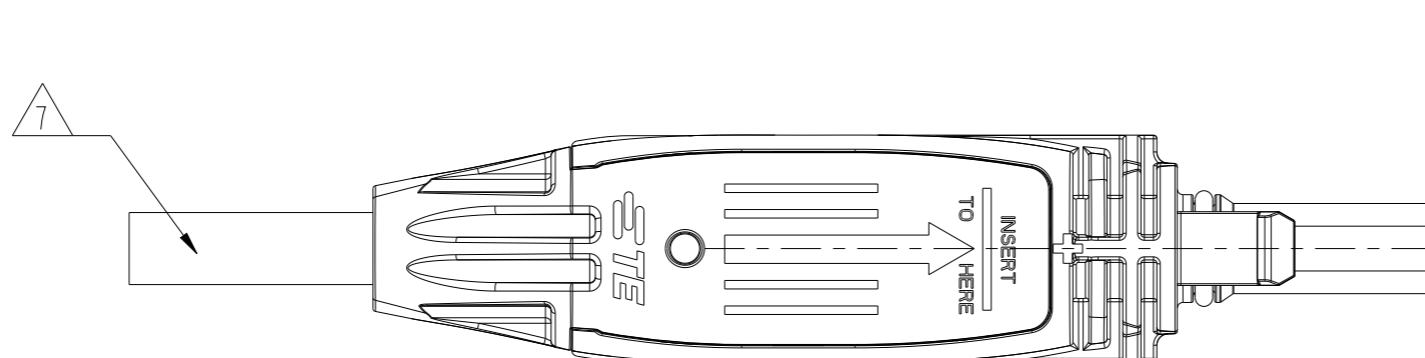
© COPYRIGHT 20 BY -

ALL RIGHTS RESERVED.

REVISIONS

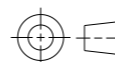
P	LTR	DESCRIPTION	DATE	DWN	APVD
-	-	SEE SHEET 1	-	-	-

DIMENSIONS AFTER APPLICATION



THIS DRAWING IS A CONTROLLED DOCUMENT.

DIMENSIONS:  
mm



MATERIAL  
SEE NOTES

TOLERANCES UNLESS OTHERWISE SPECIFIED:

- 0 PLC ±0.5
- 1 PLC ±0.5
- 2 PLC ±0.5
- 3 PLC ±
- 4 PLC ±
- ANGLES ±3°
- FINISH -

DWN 17NOV2017  
RAGHAVENDRA.K

CHK 31JAN2018  
F.DENDAS

APVD 31JAN2018  
O.IEIJNSE

PRODUCT SPEC  
108-133104

APPLICATION SPEC  
114-133104

WEIGHT -

CUSTOMER DRAWING



TE Connectivity

NAME  
SOLARLOK 2.0 SOCKET CONNECTOR

SIZE	CAGE CODE	DRAWING NO	RESTRICTED TO
------	-----------	------------	---------------

A3	00779	C-2308033	-
----	-------	-----------	---

SCALE 3:2	SHEET 2 OF 2	REV C
-----------	--------------	-------