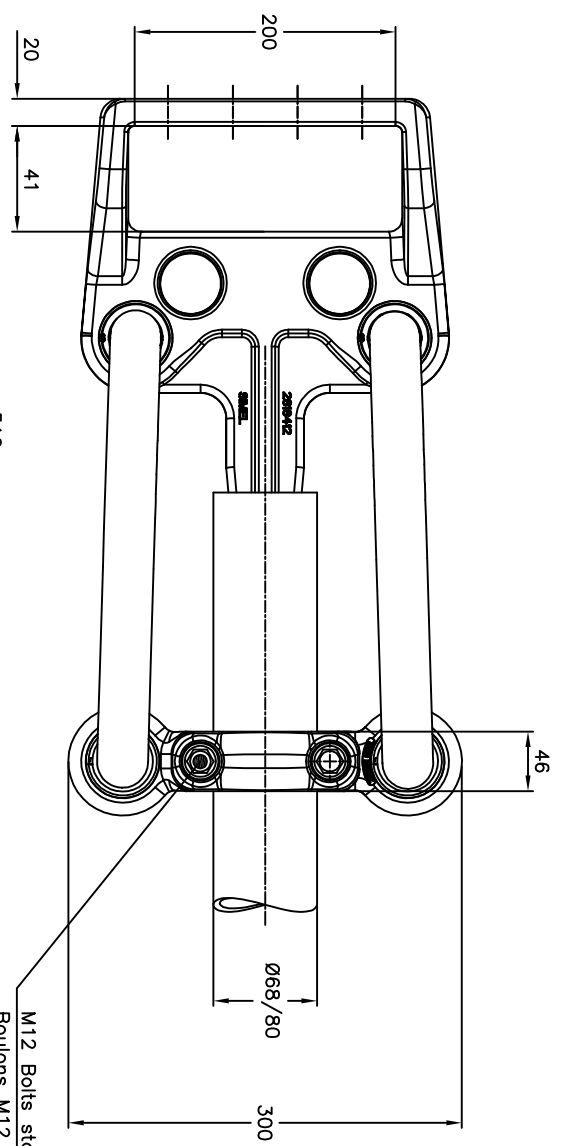
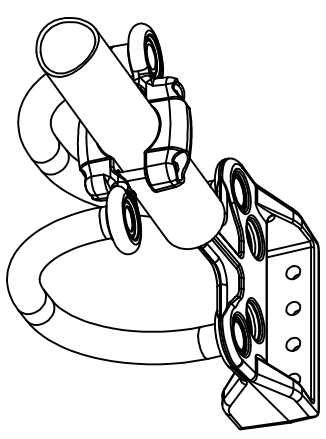


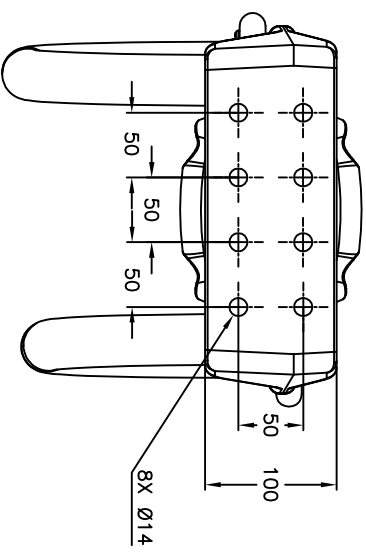
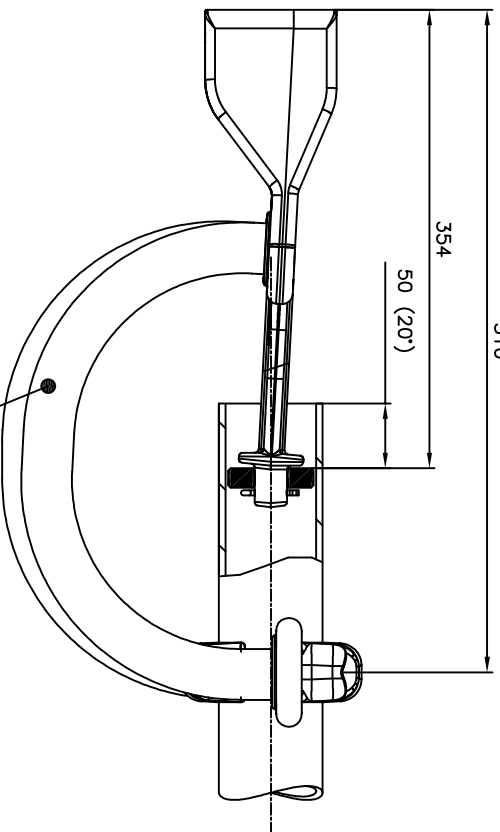
REVISIONS			
P	LTR	DESCRIPTION	DATE
A		CREATION	3-Oct-16
			UPM



M12 Bolts stainless steel A4: 60Nm
 Boulons M12 acier inoxydable A4: 60Nm



No scale
 Sans échelle



THIS DRAWING IS A CONTROLLED DOCUMENT.

DIMENSIONS:	TOLERANCES UNLESS OTHERWISE SPECIFIED:
mm	

0 P/C	±
1 P/C	±
2 P/C	±
3 P/C	±
4 P/C	±
ANGLES	±
FINISH	±

APVD	DM	DATE
	MOYEUX	3-Oct-16

PRODUCT SPEC	108-69094-001
APPLICATION SPEC	
APPROX WEIGHT	9.2 kg

STE TE Connectivity

NAME: EXPANSION CONNECTOR FOR TUBE TO PAD
 RACCORD A DILATATION POUR TUBE SUR PLAG
 SIZE: 5 TTPHL 84 T68/80 100X200 R90 27
 CAE CODE: DRAWING NO: A300779
 RESTRICTED TO: C=2310061

CUSTOMER DRAWING	SCALE	SHEET	REV
	1:4	1 of 1	A

ITEM: