

THIS DRAWING IS UNPUBLISHED.

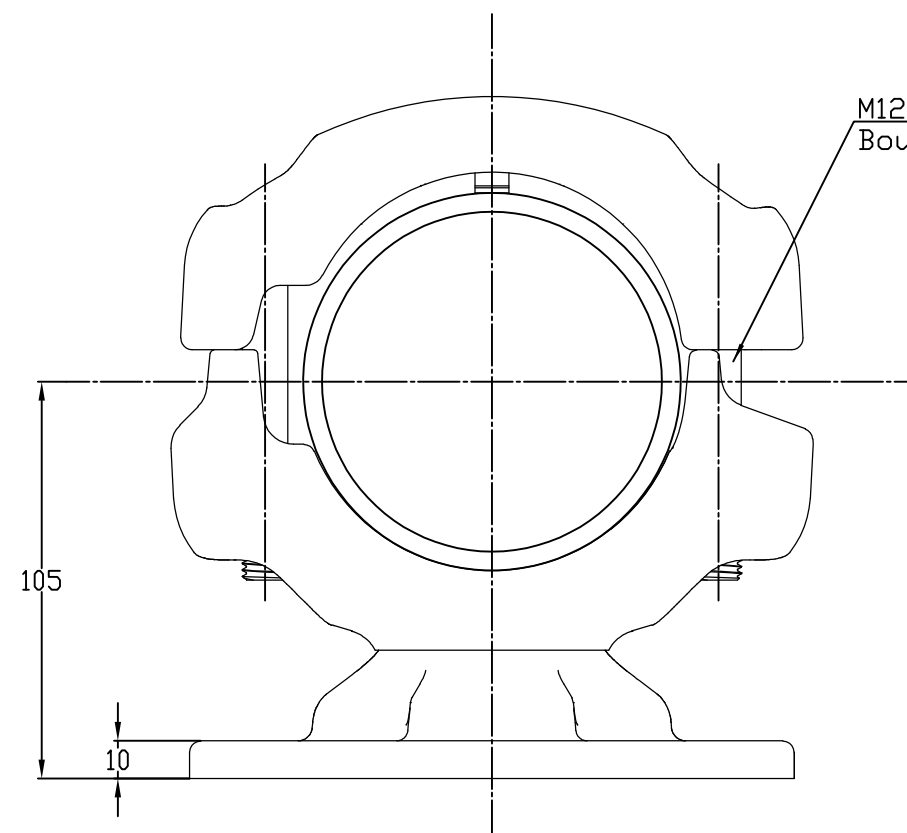
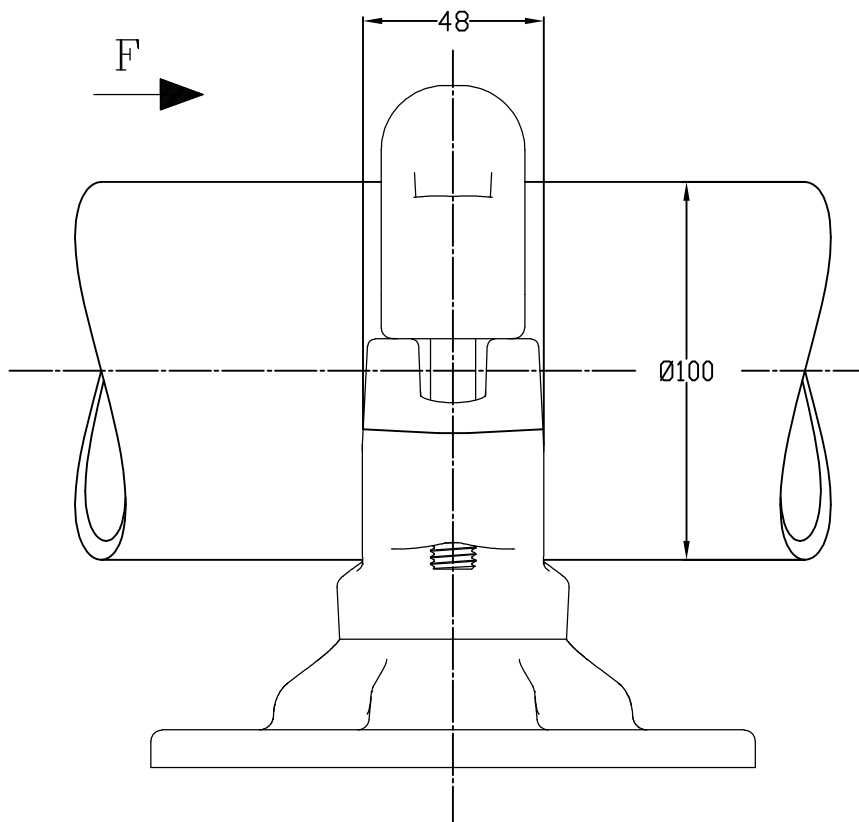
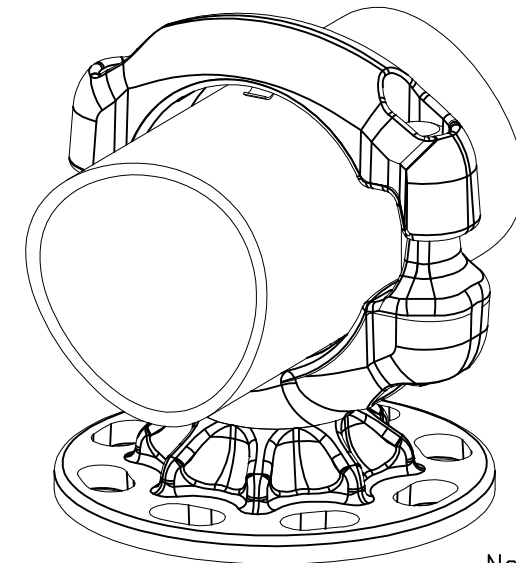
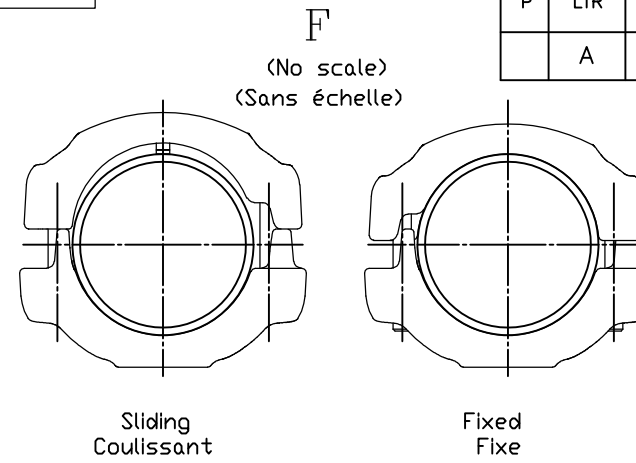
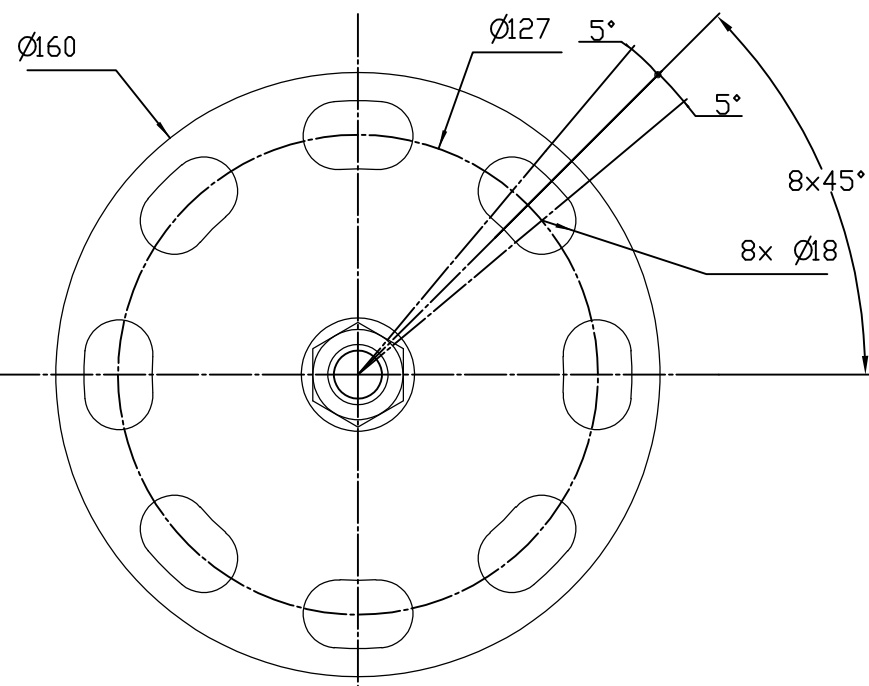
RELEASED FOR PUBLICATION

ALL RIGHTS RESERVED.

© COPYRIGHT - By -

REVISIONS

P	LTR	DESCRIPTION	DATE	DWN	APVD
	A	CREATION	04-Oct-16	JPM	-



fixed or sliding
Fixe ou coulissant

ITEM:.....

THIS DRAWING IS A CONTROLLED DOCUMENT.		DWN	MOYEUX		04-Oct-16
DIMENSIONS: mm		CHK	-		
TOLERANCES UNLESS OTHERWISE SPECIFIED:		APVD	-		
0 PLC ± -		PRODUCT SPEC	108-69094-001		
1 PLC ± -		APPLICATION SPEC	-		
2 PLC ± -		APPROX.WEIGHT	1.8	kg	
3 PLC ± -		CUSTOMER DRAWING			
4 PLC ± -		FINISH	-		
ANGLES ± -		SIZE	A3	00779	C=2310087
MATERIAL		CAGE CODE	G=2310087		RESTRICTED TO
		DRAWING NO	G=2310087		-
		SCALE	1:2	SHEET	1 OF 1
		REV	A		



NAME Ø100 BUSBAR SUPPORT ON P5 BPI
SUPPORT TUBE Ø100 SUR ISO P5
5 TS 84 P5 T100