

THIS DRAWING IS UNPUBLISHED.

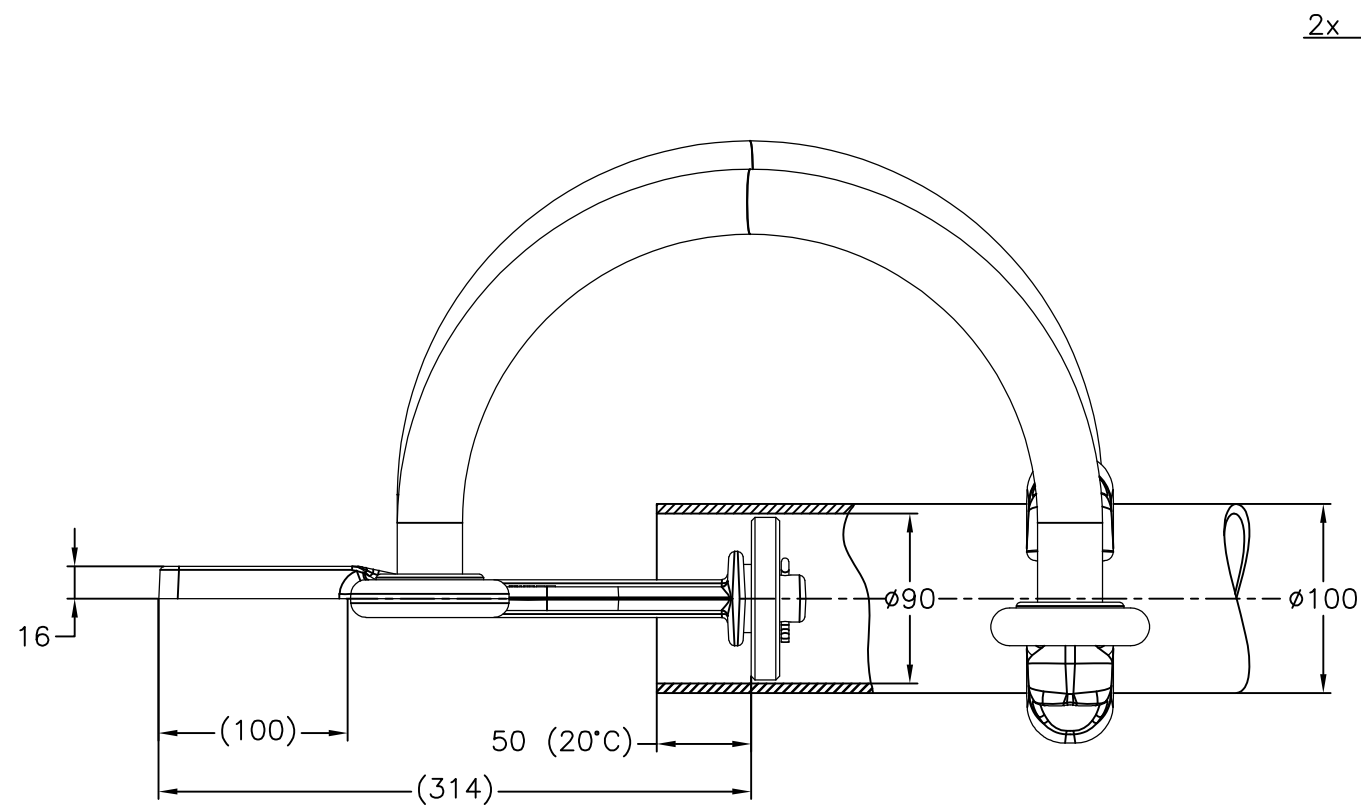
RELEASED FOR PUBLICATION

ALL RIGHTS RESERVED.

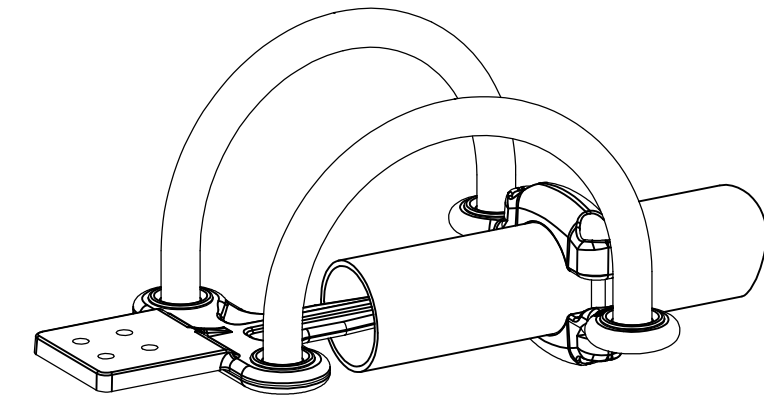
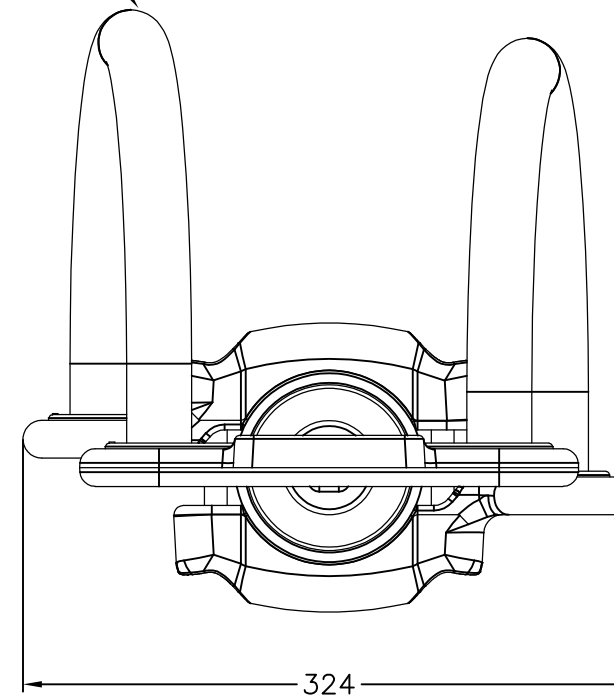
© COPYRIGHT - By -

REVISIONS

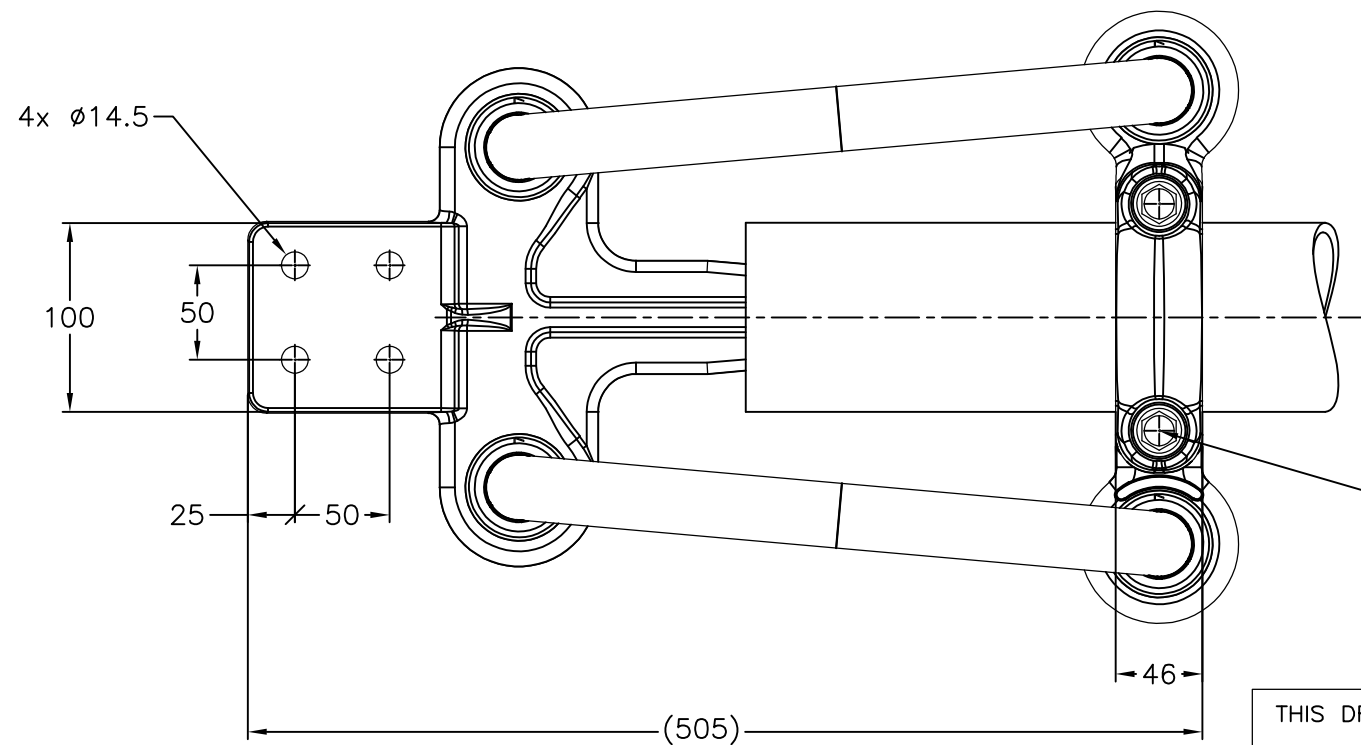
P	LTR	DESCRIPTION	DATE	DWN	APVD
	1	CREATION	14-Nov-16	JG	-



2x SAL 910



No scale  
Sans échelle



M12 Stainless steel bolts A2: 60Nm  
Boulons M12 acier inoxydable A2: 60Nm

ITEM:.....

THIS DRAWING IS A CONTROLLED DOCUMENT.		DWN GODARD	14-Nov16	<b>STE</b> TE Connectivity	
DIMENSIONS: mm		CHK -	-		
TOLERANCES UNLESS OTHERWISE SPECIFIED:		APVD -	-	NAME AXIAL CONNECTOR FOR TUBE RACCORD A PLAGE AXIALE POUR TUBE	
0 PLC ± -		PRODUCT SPEC 108-69090-001		5 TTPAL 82 T90/100 100 C257 29	
1 PLC ± -		APPLICATION SPEC		SIZE	RESTRICTED TO
2 PLC ± -		-		A3	-
3 PLC ± -		-		CAGE CODE	DRAWING NO
4 PLC ± -		-		00779	C=2312189
ANGLES ± -		WEIGHT		SCALE	
FINISH		6.9 kg		1:4	
-		CUSTOMER DRAWING		SHEET	
-		-		1 OF 1	
-		-		REV	
-		-		1	