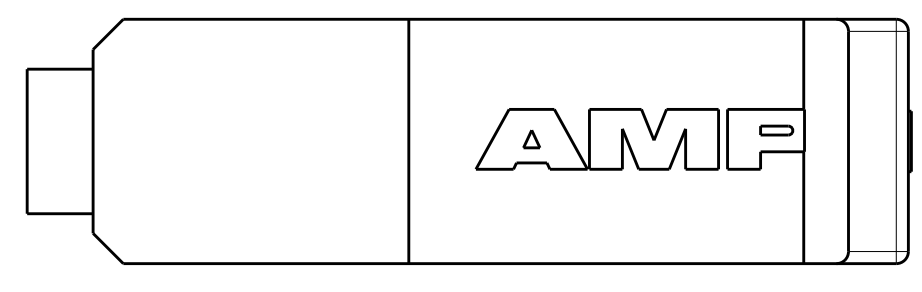
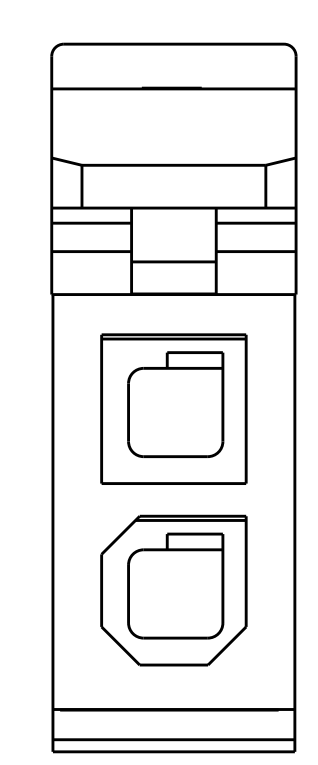
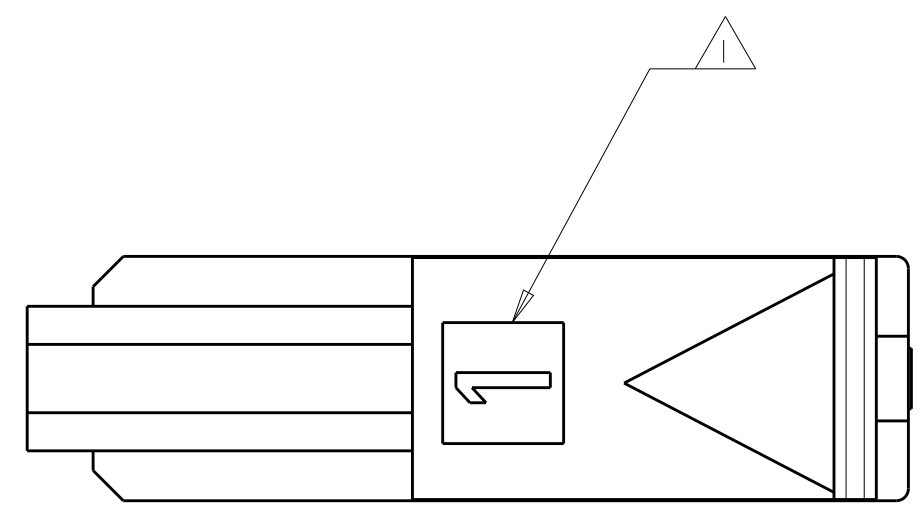
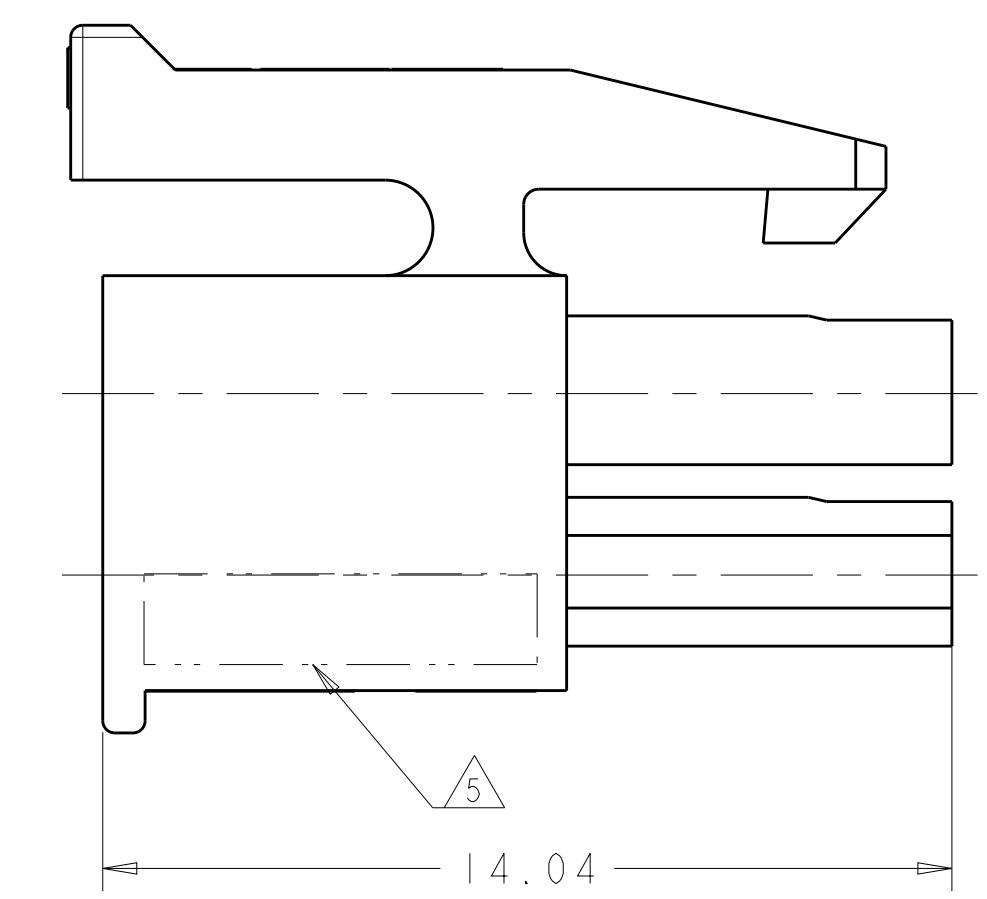
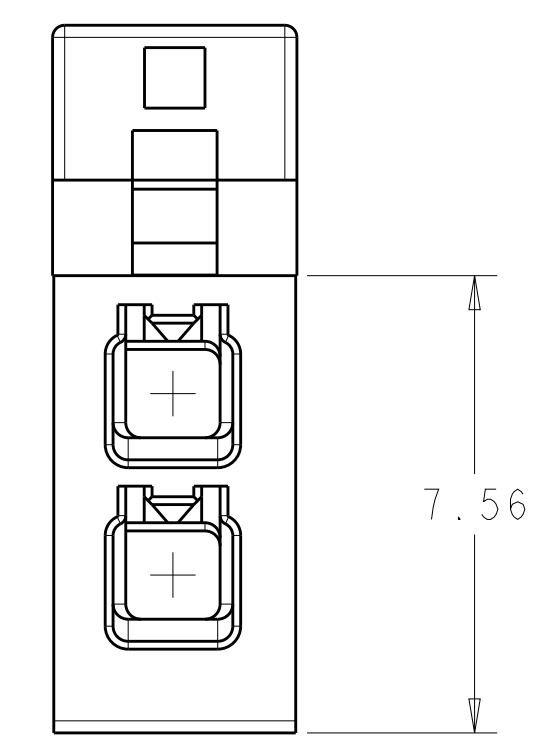
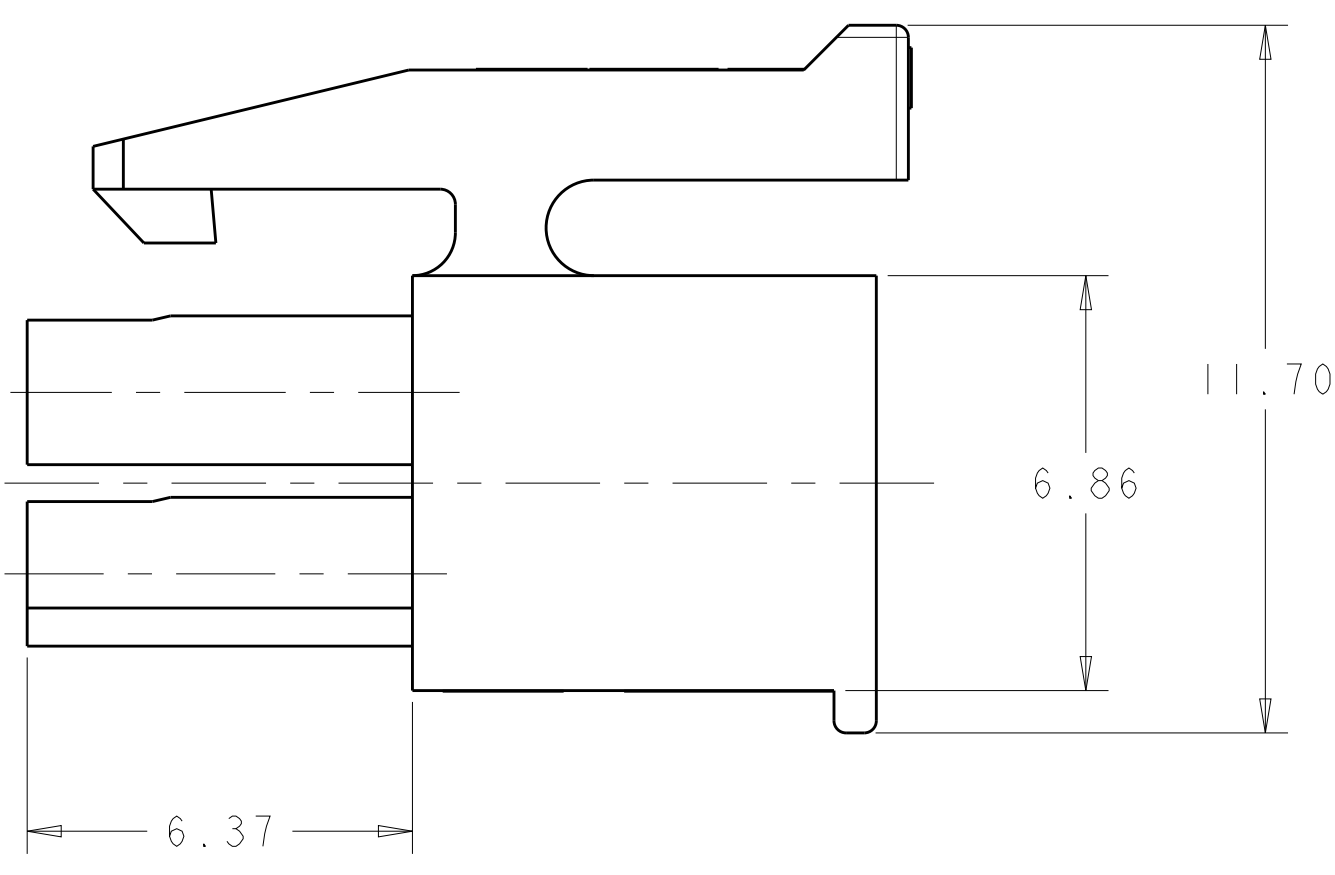
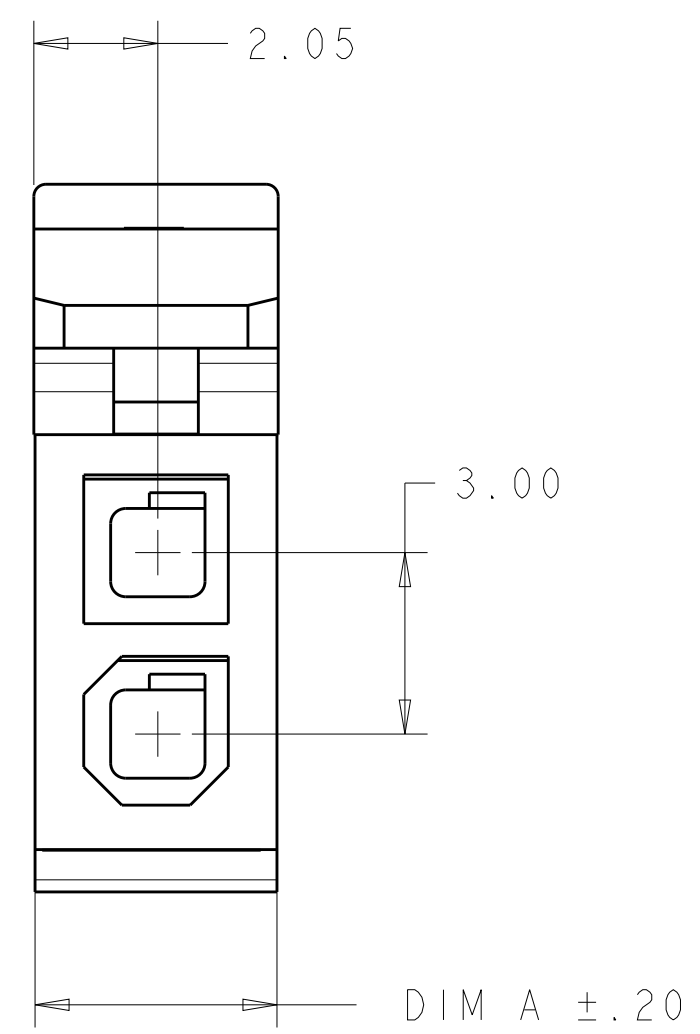


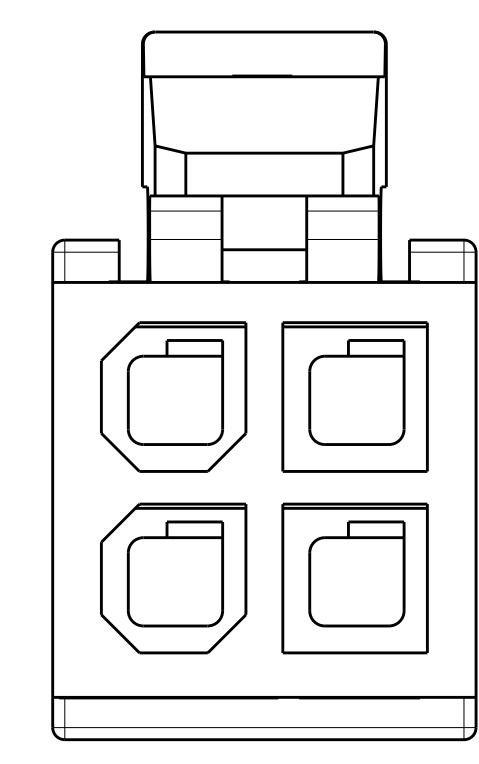
REVISIONS				
P.	LTN	DESCRIPTION	DATE	APPROV
A1		REVISED PER ECR-18-007792	21MAY2018	JB DZ
A2		REVISED PER ECR-18-012328	02AUG2018	JB DZ
B		REVISED PER ECR-18-014008	04SEP2018	JB DZ



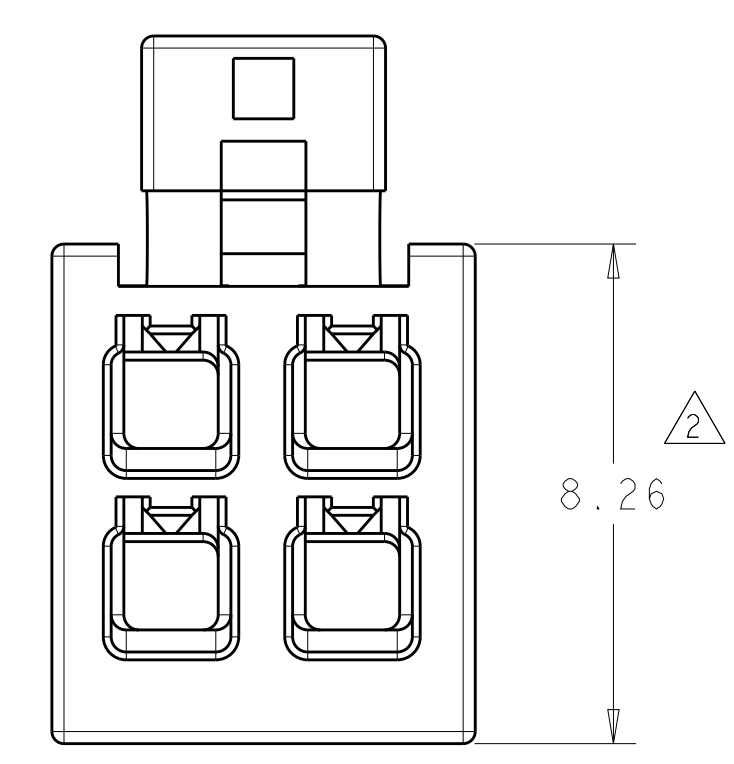
- ① CIRCUIT IDENTIFIER, LOCATED APPROXIMATELY AS SHOWN,
- ② DIMENSION ONLY 7.56 ON 2 POSITION
- ③ MATERIAL PA66 UL94-V0, GW, COLOR-NATURAL
- ④ PRELIMINARY PART NOT RELEASED FOR PRODUCTION.
- ⑤ MATERIAL ID ">PA<" LOCATED IN APPROX AREA SHOWN, APPROX 0.01 HIGH.



2 POSITION



4 POSITION



4 POSITION BACK VIEW

UL94-V0	7.00	4	2315744-4
GW	4.00	2	2315744-2
③ MATERIAL	DIM A	NO. OF POS.	PART NO.

THIS DRAWING IS A CONTROLLED DOCUMENT.		DWN: BASAVARAJU D A 28FEB2018	TE Connectivity	
DIMENSIONS: mm		CHK: JYOTIRMAYA 28FEB2018		
TOLERANCES UNLESS OTHERWISE SPECIFIED:		APPR: DANIEL ZHANG 28FEB2018	NAME: RECEPTACLE HOUSING, DUAL ROW MICRO MATE-N-LOK	
0 PLC	±	PRODUCT SPEC	SIZE: CAGE CODE: DRAWING NO: RESTRICTED TO	
1 PLC	±0.26	108-1836	A100779C=2315744	
2 PLC	±0.26	APPLICATION SPEC	SCALE: 5:1 SHEET 1 OF 1 REV B	
3 PLC	±	114-13000		
4 PLC	±	WEIGHT		
ANGLES	±0.30°	CUSTOMER DRAWING		
MATERIAL	③			