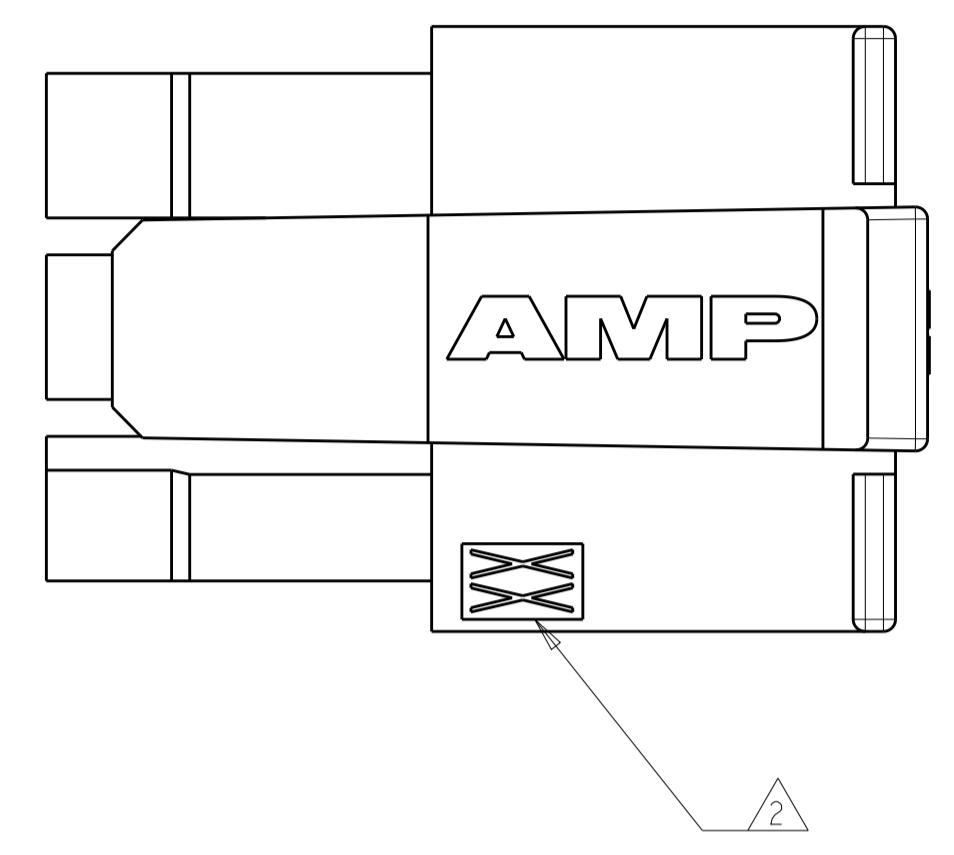
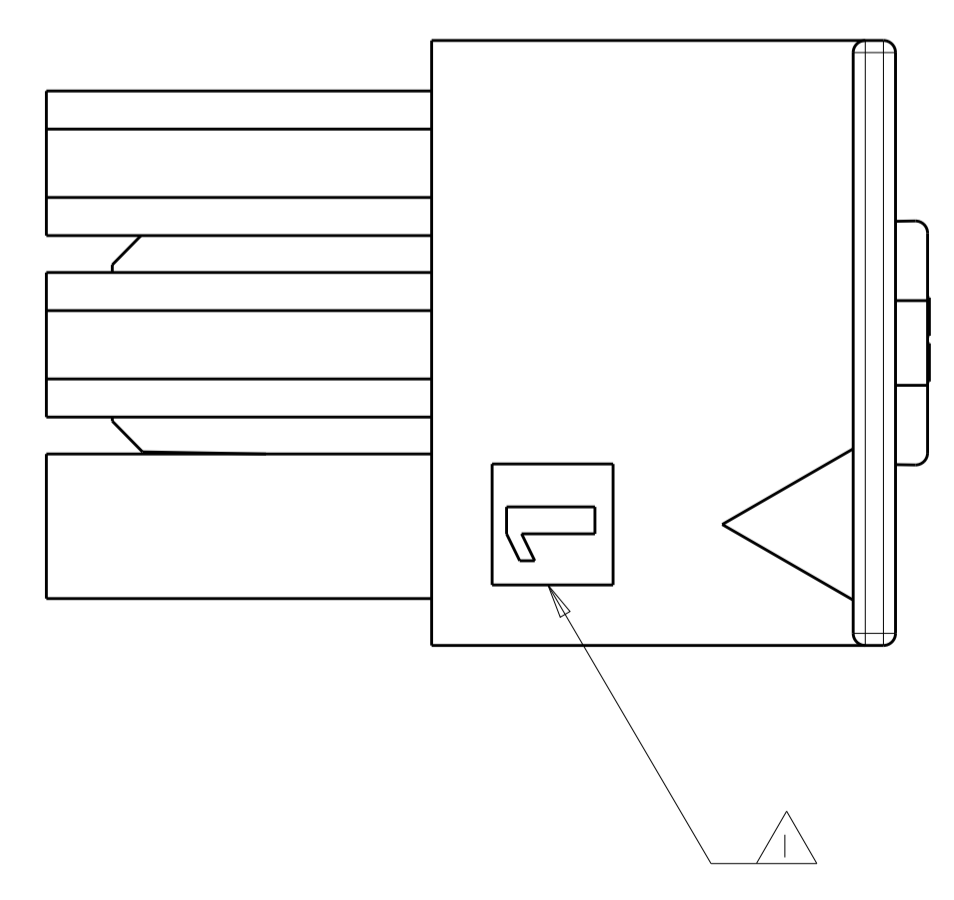
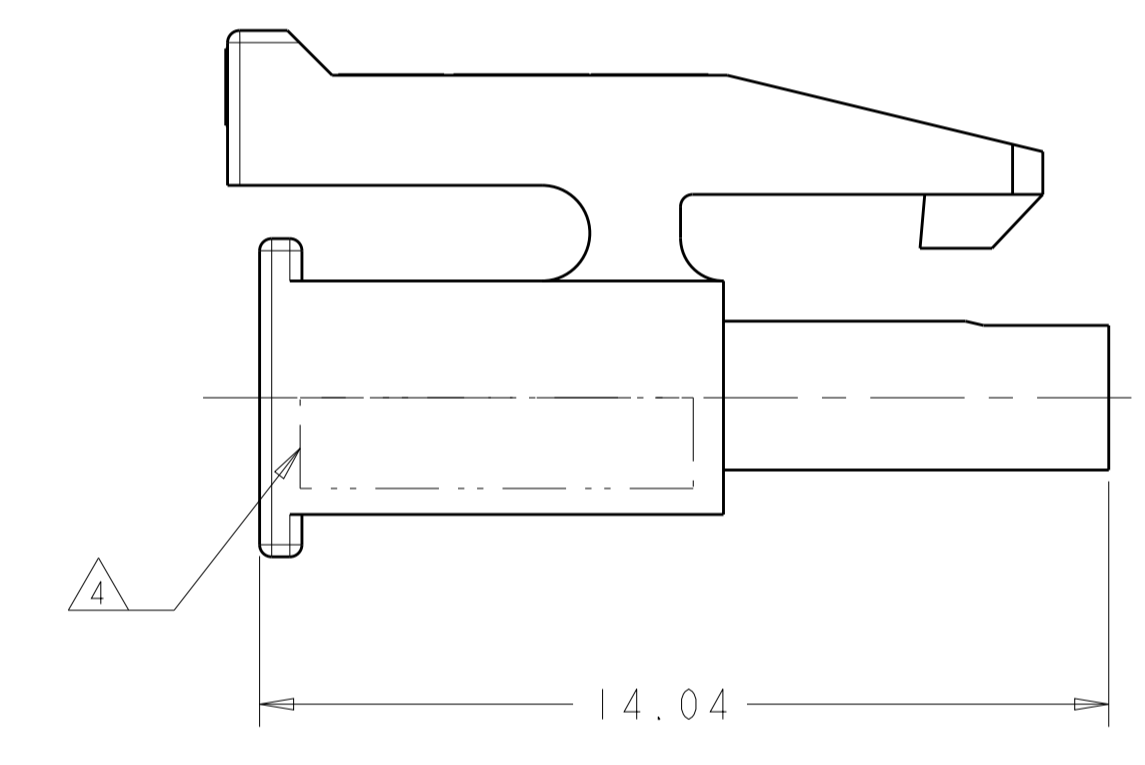
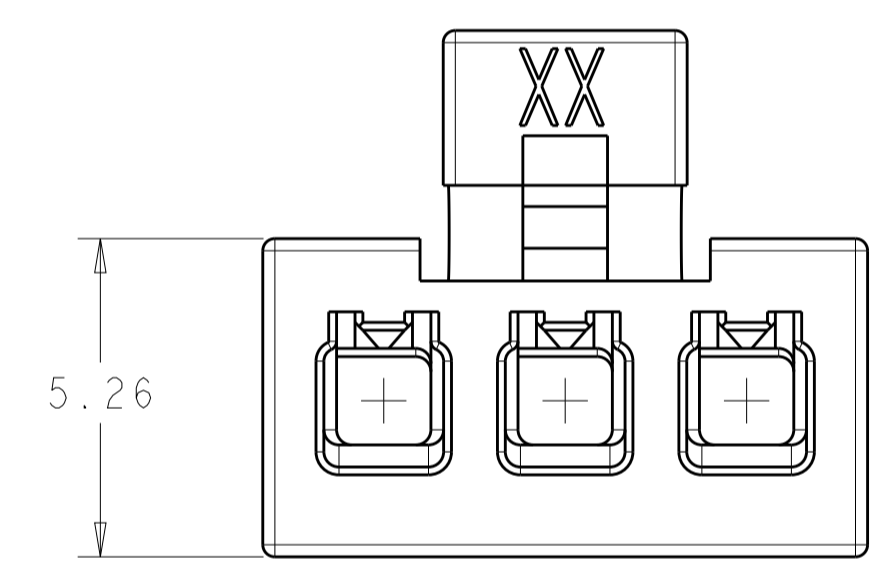
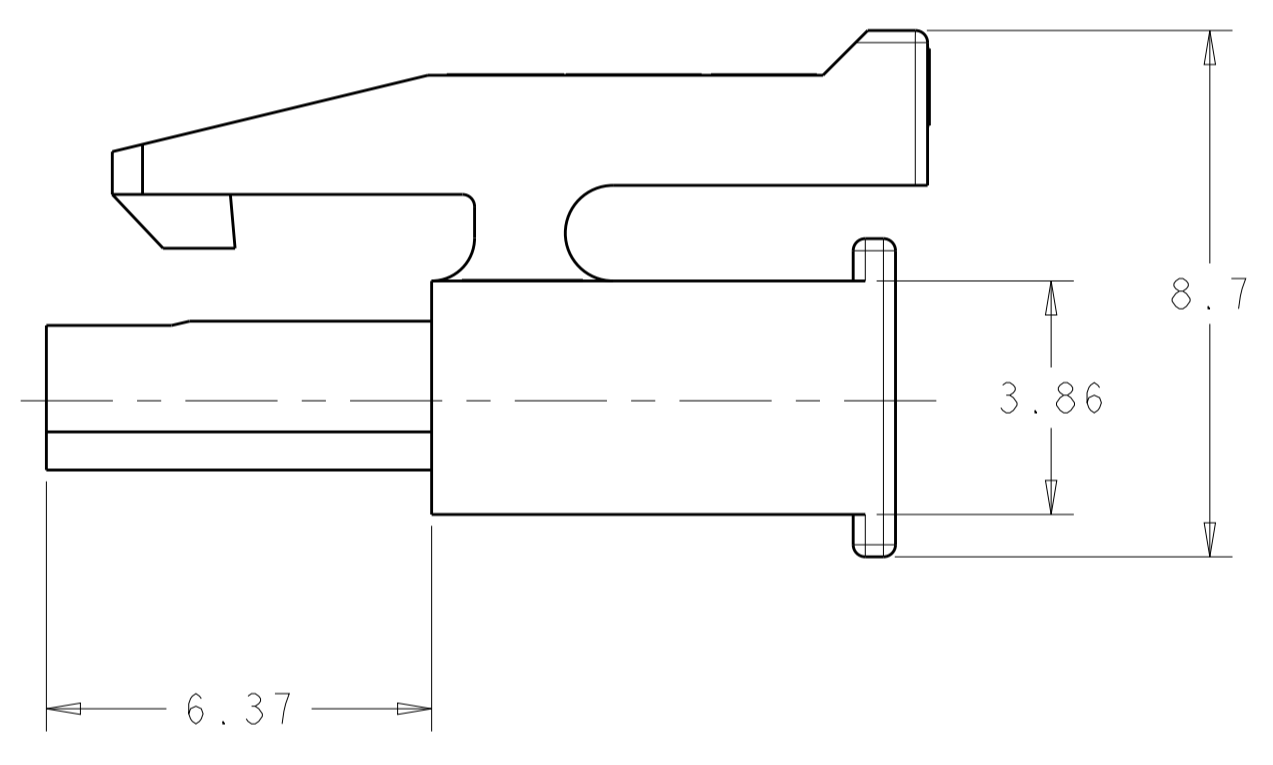
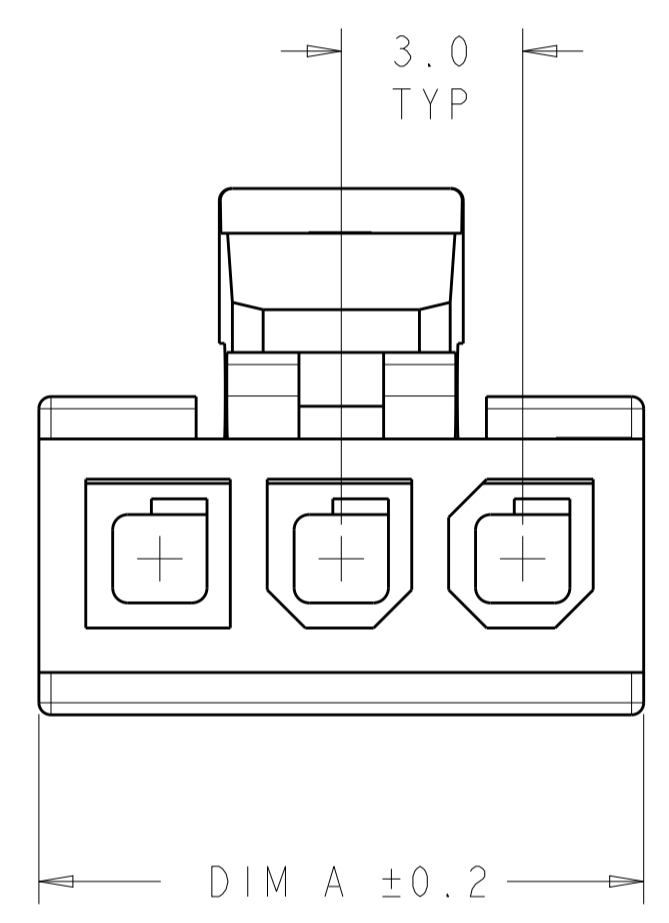


REVISIONS				
P.	LTN	DESCRIPTION	DATE	APPROV
A1		REVISED PER ECR-18-007792	21MAY2018	JB DZ
A2		REVISED PER ECR-18-012328	02AUG2018	JB DZ
B		REVISED PER ECR-18-014008	04SEP2018	JB DZ



- △ CIRCUIT IDENTIFIER LOCATED IN APPROXIMATELY AS SHOWN,
- △ LAST CIRCUIT IDENTIFIER, LOCATED APPROXIMATELY AS SHOWN
- △ MATERIAL PA66 UL94-V0, GW, COLOR-NATURAL
- △ MATERIAL ID ">PA<" LOCATED IN APPROX AREA SHOWN, APPROX 0.01 HIGH.



UL94-V0 GWT	13.00	4	2315752-4
	10.00	3	2315752-3
	7.00	2	2315752-2
MATERIAL	DIM A	NO OF POS.	PART NO.

THIS DRAWING IS A CONTROLLED DOCUMENT.		DWN: BASAVARAJU D A 28FEB2018 CHK: JYOTIRMAYA 28FEB2018 APVD: DANIEL ZHANG 28FEB2018	STE TE Connectivity	
DIMENSIONS: mm TOLERANCES UNLESS OTHERWISE SPECIFIED: 0 PLC ± 1 PLC ±0.26 2 PLC ±0.26 3 PLC ± 4 PLC ± ANGLES ±° FINISH ±μm		NAME: RECEPTACLE HOUSING, SINGLE ROW, MICRO MATE-N-LOK PRODUCT SPEC: 108-1836 APPLICATION SPEC: 114-13000	SIZE: A1 CAGE CODE: 00779 DRAWING NO: C=2315752	RESTRICTED TO: B
MATERIAL: 3		WEIGHT: -	CUSTOMER DRAWING	SCALE: 8:1 SHEET 1 OF 1 REV B