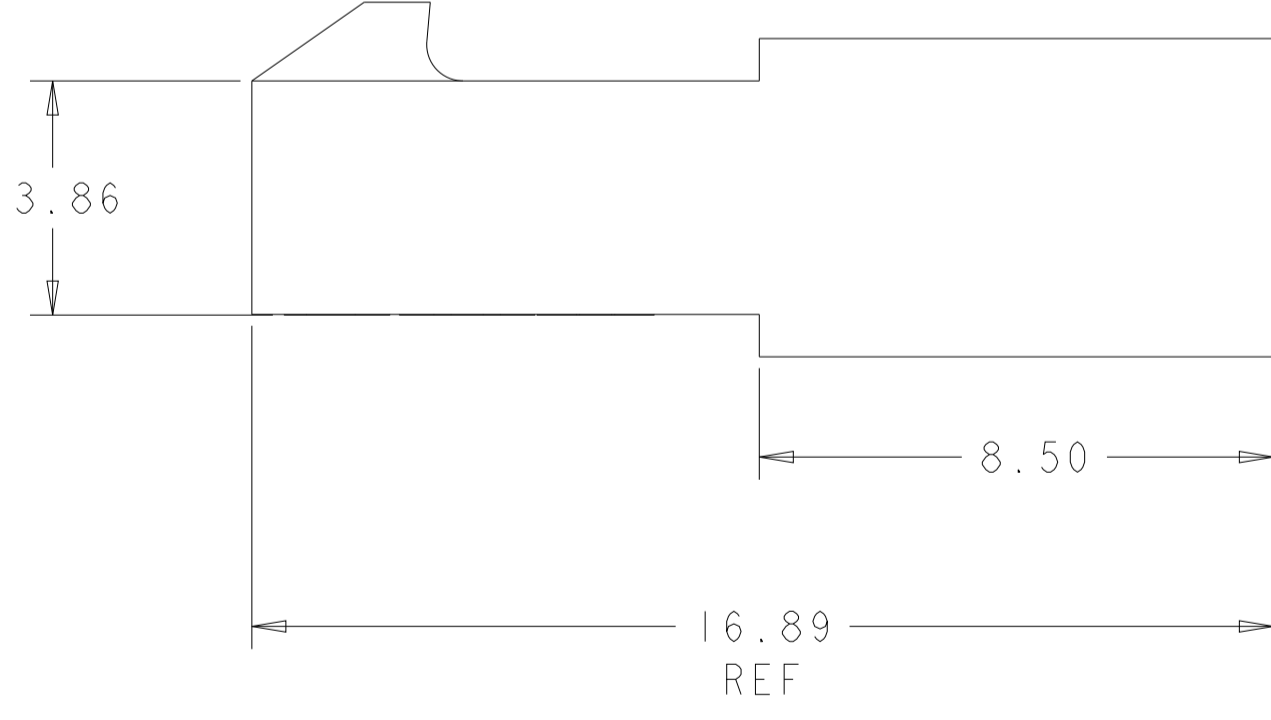
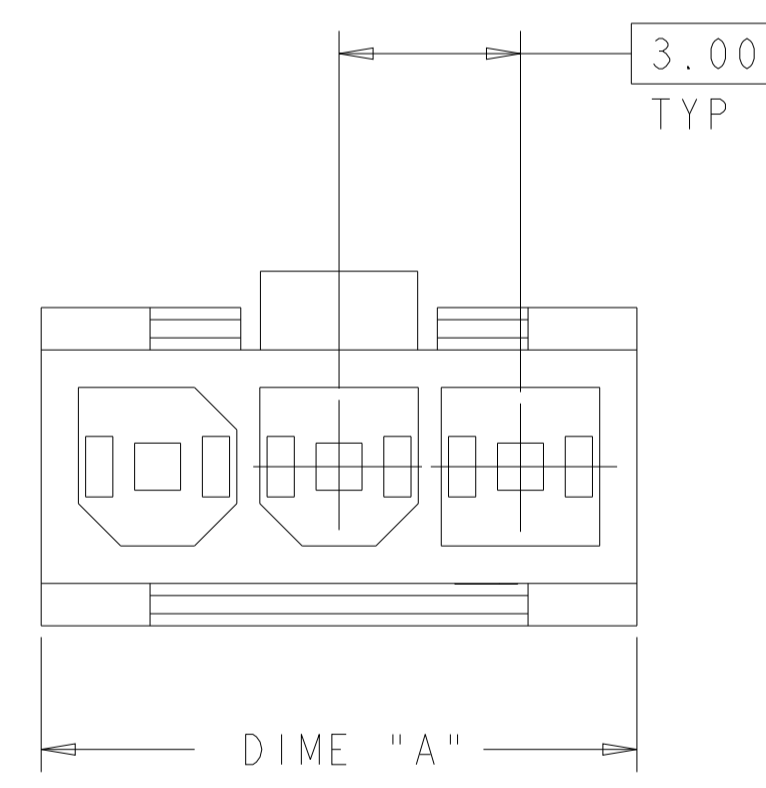
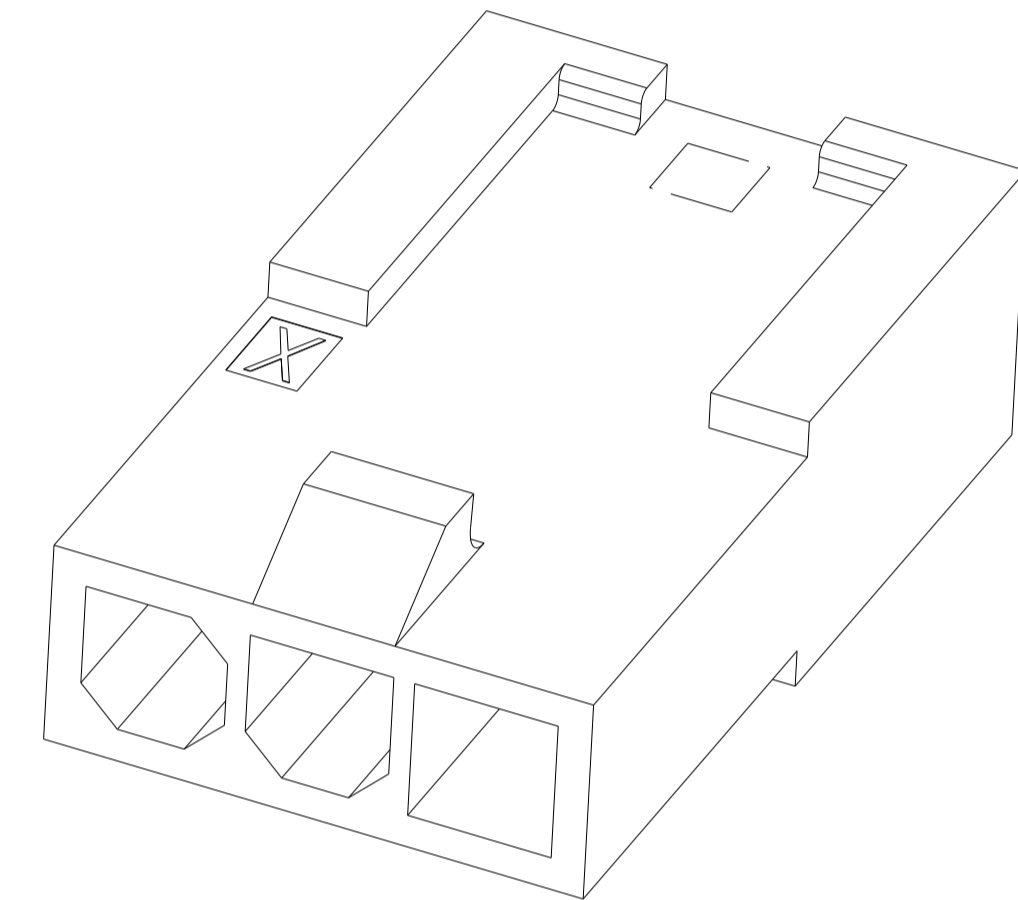
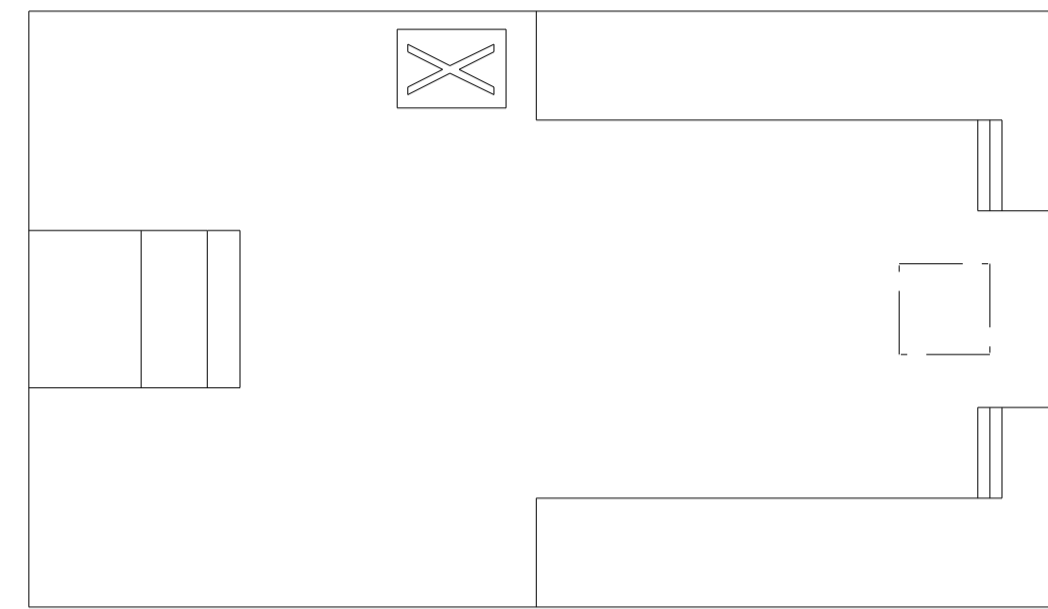


REVISIONS				
REV	LTN	DESCRIPTION	DATE	APPROV
A1		REVISED PER ECR-18-007792	21MAY2018	JB DZ
B		REVISED PER ECR-18-014008	04SEP2018	JB DZ
B1		REVISED PER ECN-24-270554	14JUN2024	WLS JP

△ MATERIAL PA66 UL94-V0, GW, COLOR-NATURAL



OBSOLETE	UL94-V0	12.85	4	2315785-4
	GW	9.85	3	2315785-3
		6.85	2	2315785-2
MATERIAL	DIM "A"	NO. OF POSITIONS		PART NUMBER

THIS DRAWING IS A CONTROLLED DOCUMENT.		DWN BASAVARAJA D A 02MAR2018 CHK JYOTIRMAYA 02MAR2018	<b>STE</b> TE Connectivity	
DIMENSIONS:	TOLERANCES UNLESS OTHERWISE SPECIFIED:	APVD DANIEL ZHANG 02MAR2018 PRODUCT SPEC	NAME PLUG HOUSING, SINGLE ROW, FREE HANGING MICRO MATE-N-LOK	
mm	0 PLC ± 2 PLC ±0.13 3 PLC ± 4 PLC ± ANGLES ± FINISH -	APPLICATION SPEC 108-1836 114-13000	SIZE A1	CAGE CODE 00779
MATERIAL	△	WEIGHT -	DRAWING NO. 2315785	
		CUSTOMER DRAWING	SCALE 8:1	SHEET 1 OF 1 REV B1