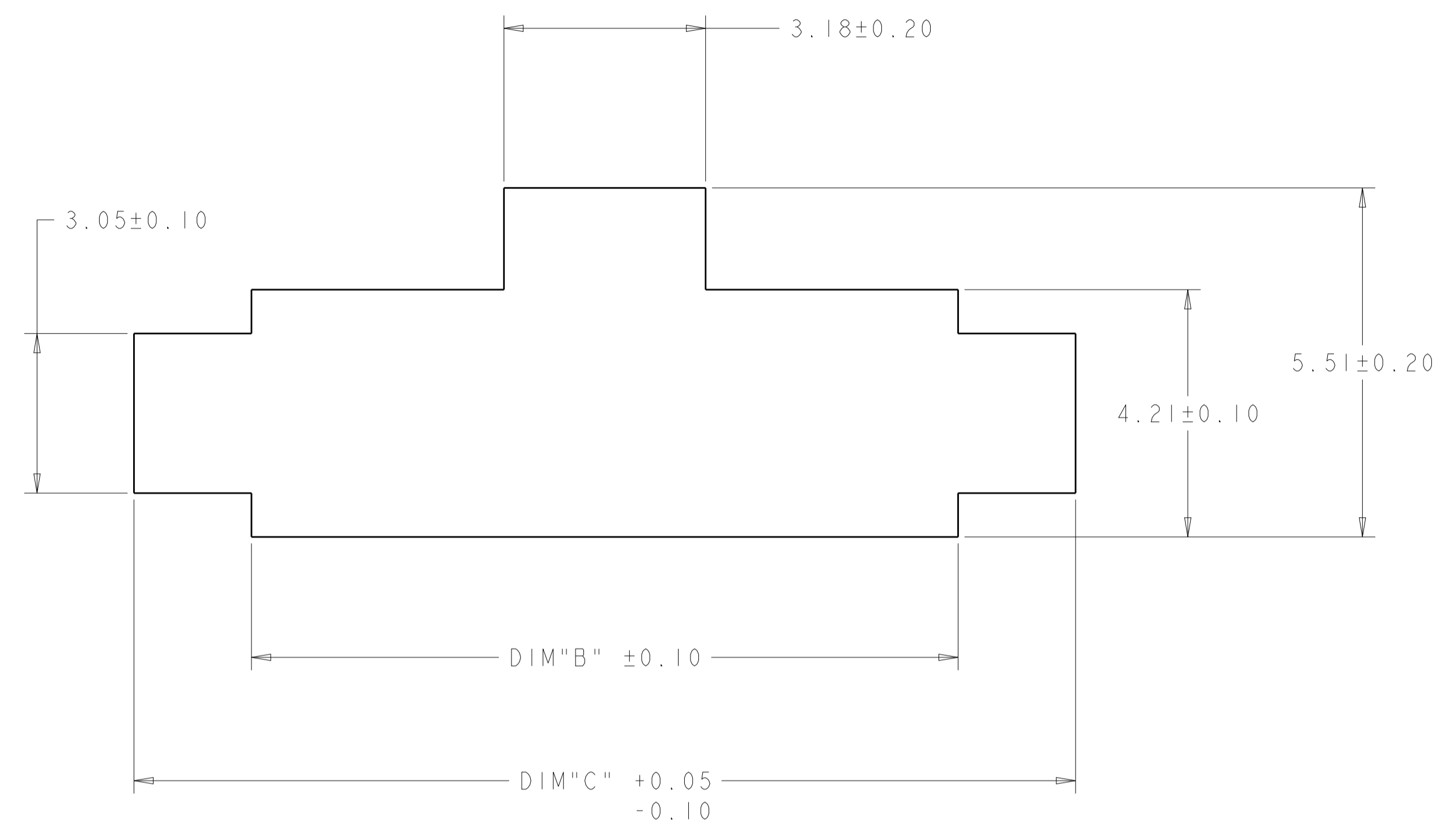
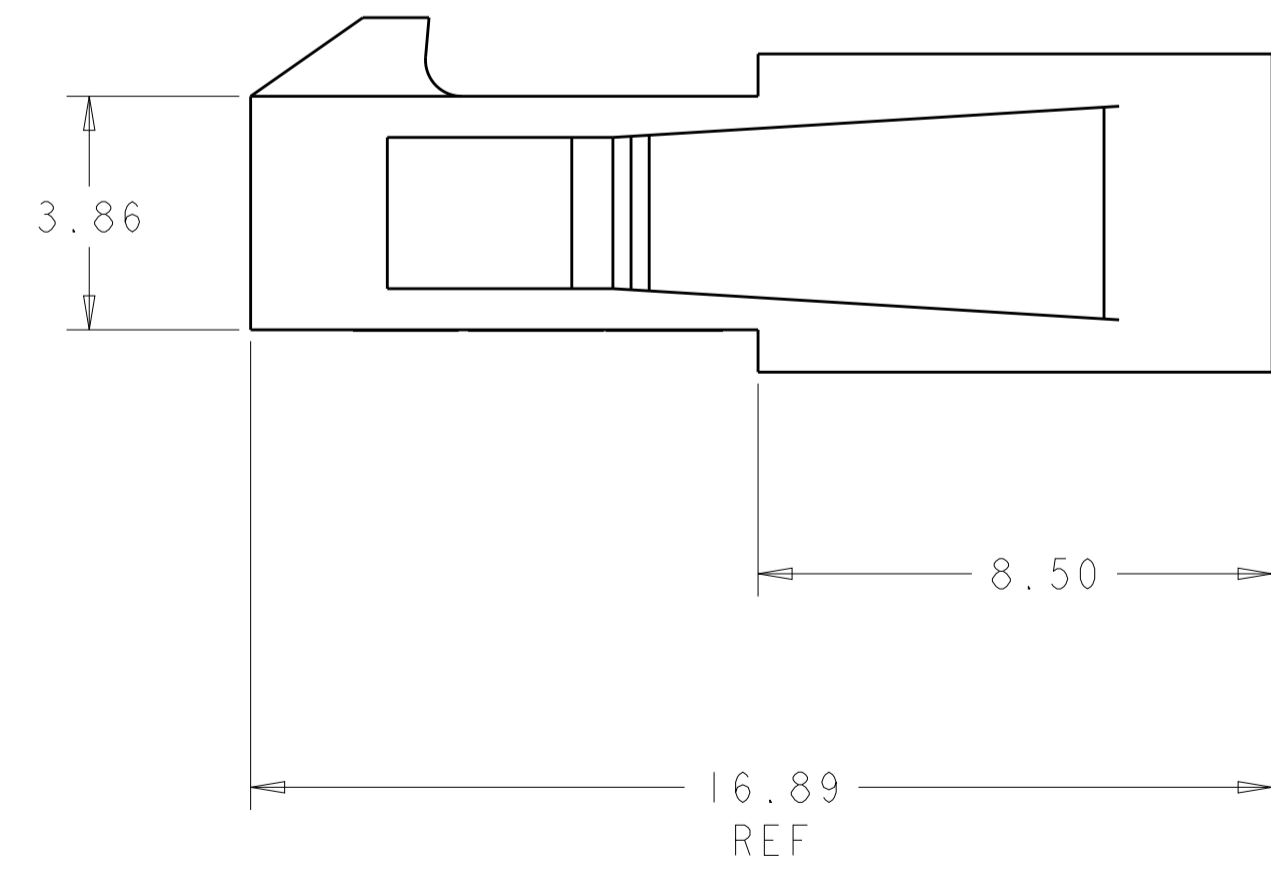
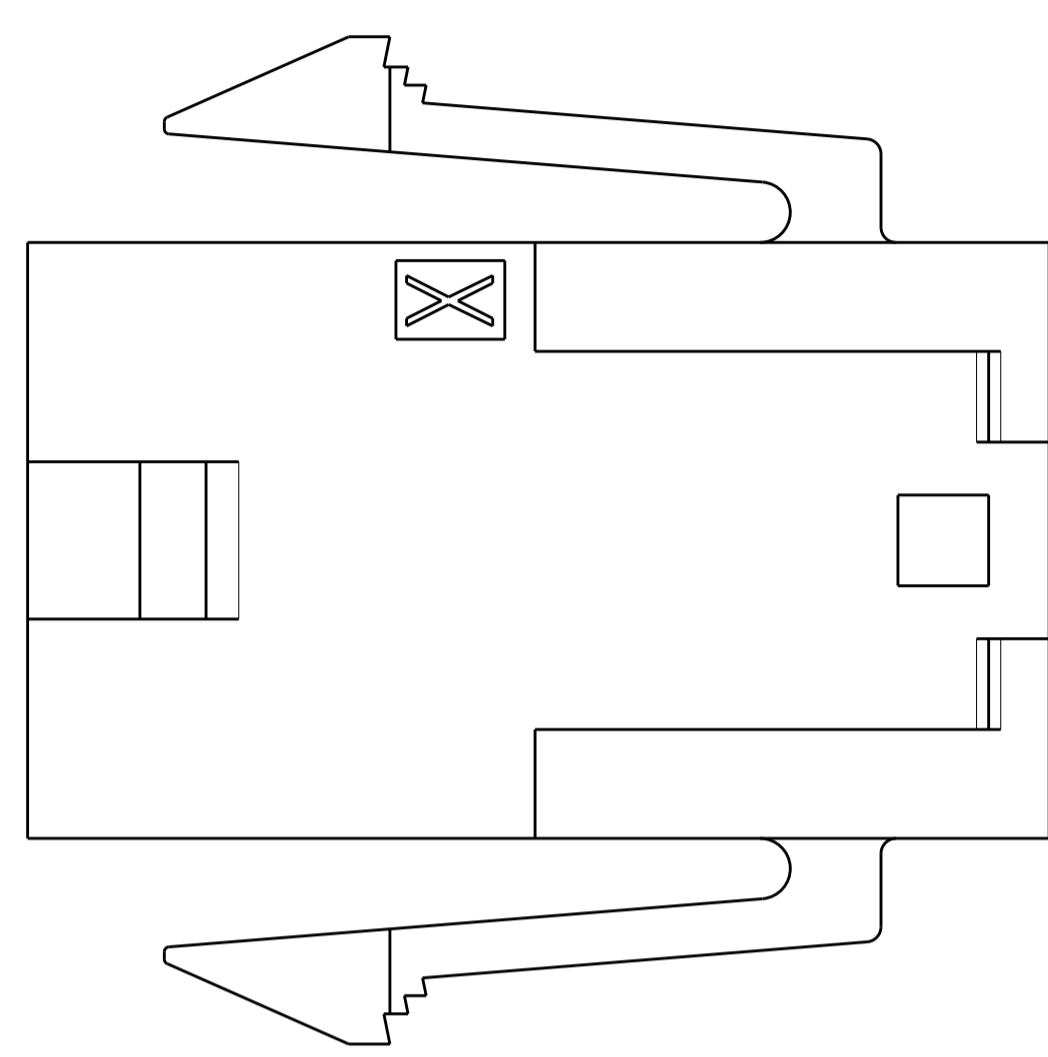
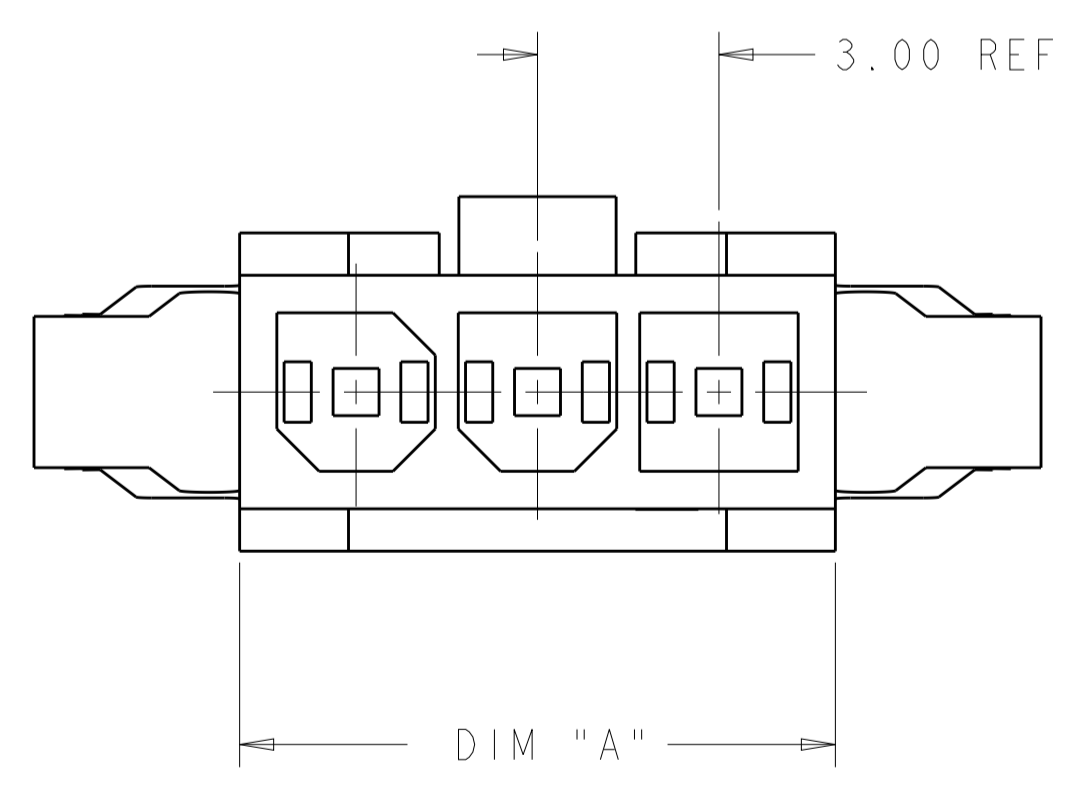


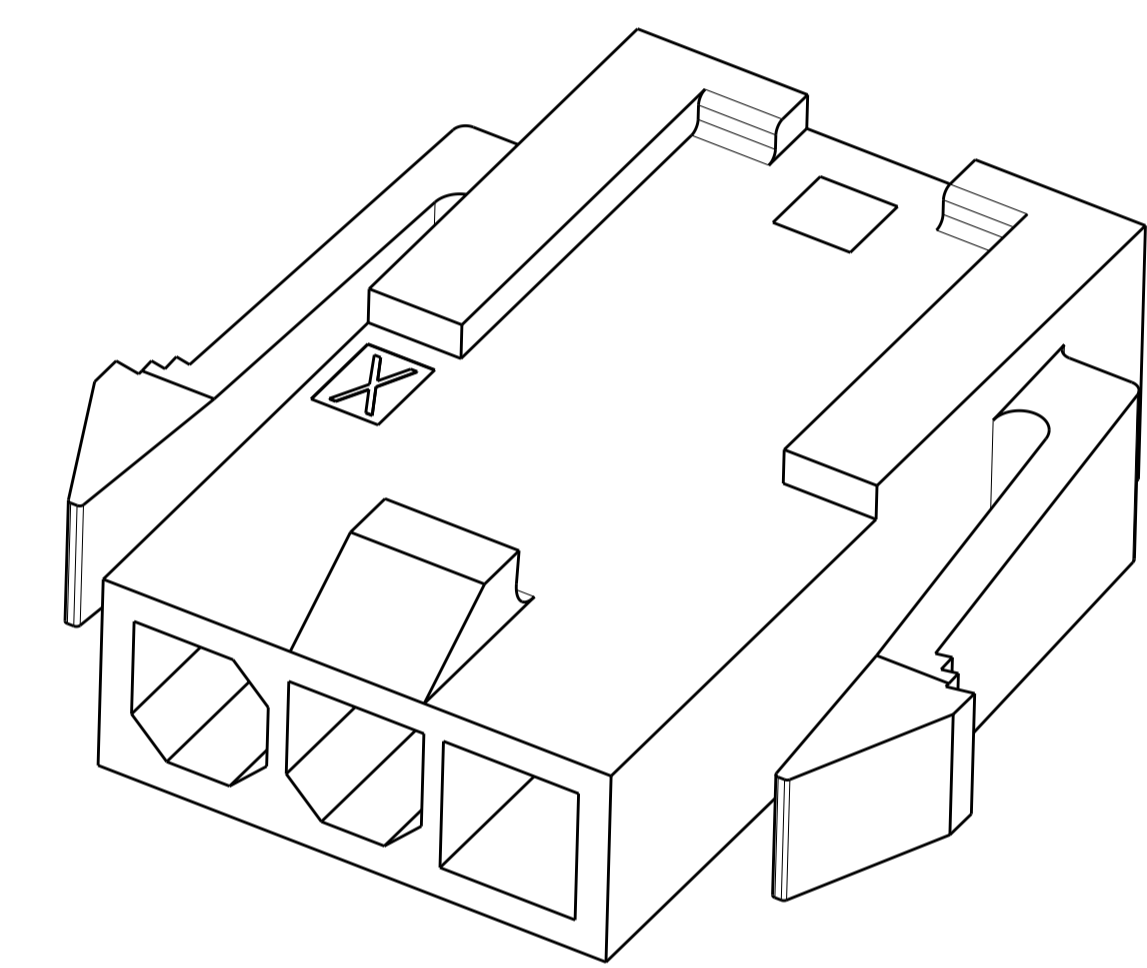
REVISIONS					
P.	LTN	DESCRIPTION	DATE	DWN	APVD
A1		REVISED PER ECR-18-007792	21MAY2018	JB	DZ
B		REVISED PER ECR-18-014008	04SEP2018	JB	DZ



PANEL CUT OUT



- RECOMMENDED PANEL THICKNESS 1.57-2.3
- 2 PANEL MUST BE PUNCHED SO THAT HOUSING ENTERS THE PANEL IN THE SAME DIRECTION AS THE PUNCH
- MATERIAL PA66 UL94-V0, GW , COLOR-NATURAL



MATERIAL	DIM "C"	DIM "A"	DIM "B"	NO. OF POSITIONS	PART NUMBER
UL94-V0 GWT	16.88	12.85	13.20	4	2315786-4
	13.88	9.85	10.20	3	2315786-3
	10.88	6.85	7.20	2	2315786-2

THIS DRAWING IS A CONTROLLED DOCUMENT.		DWN: 02MAR2018 BASAVARAJA D A	TE Connectivity
DIMENSIONS: mm		CHK: 02MAR2018 JYOTIRMAYA	
TOLERANCES UNLESS OTHERWISE SPECIFIED:		APVD: 02MAR2018 DANIEL ZHANG	NAME: PLUG HOUSING, SINGLE ROW, PANEL MOUNT MICRO MATE-N-LOK
0 PLC	±	PRODUCT SPEC	
2 PLC	±0.13	APPLICATION SPEC	
3 PLC	±	114-13000	
4 PLC	±	WEIGHT	
ANGLES	±	CUSTOMER DRAWING	
FINISH	-	SCALE: 8:1	