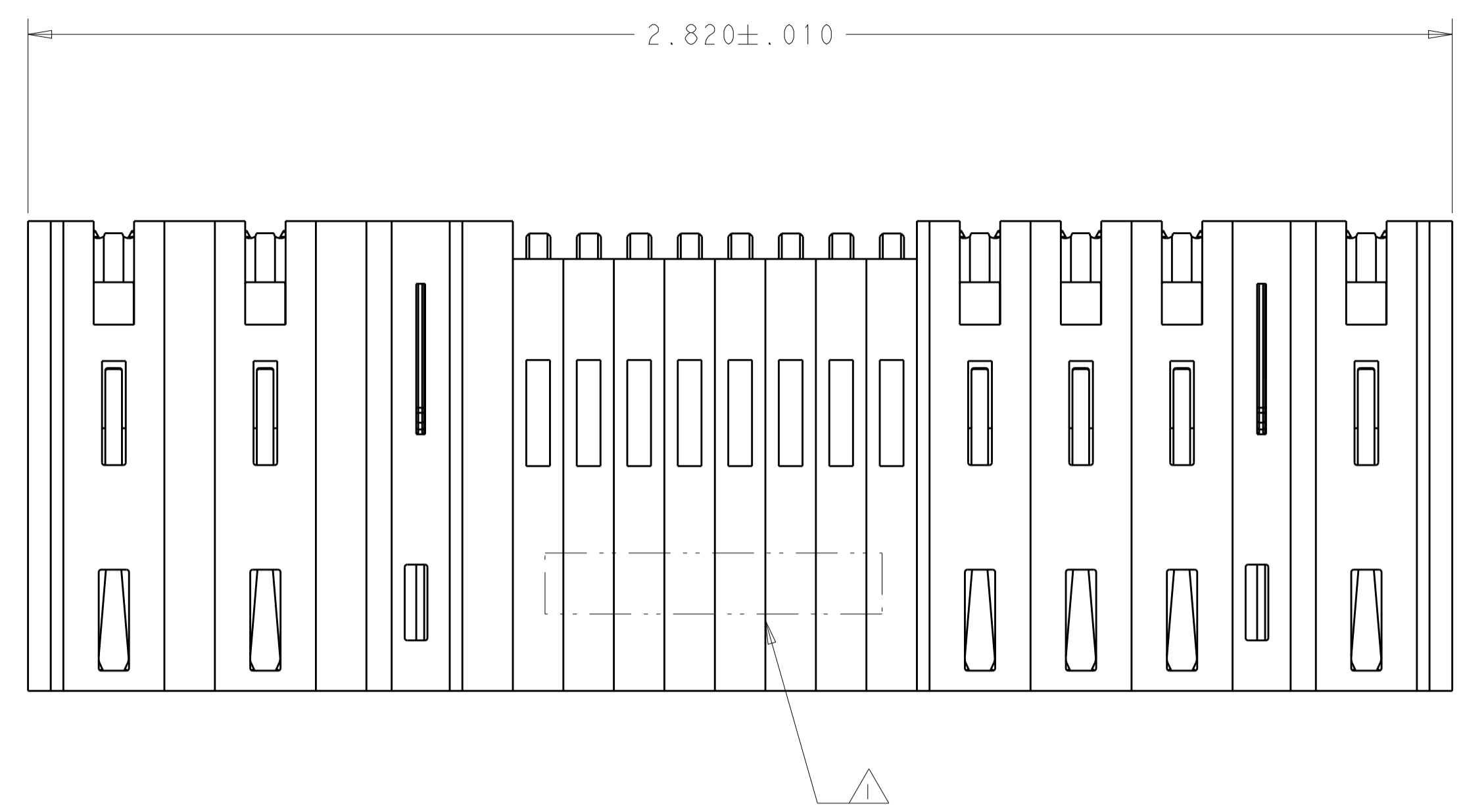
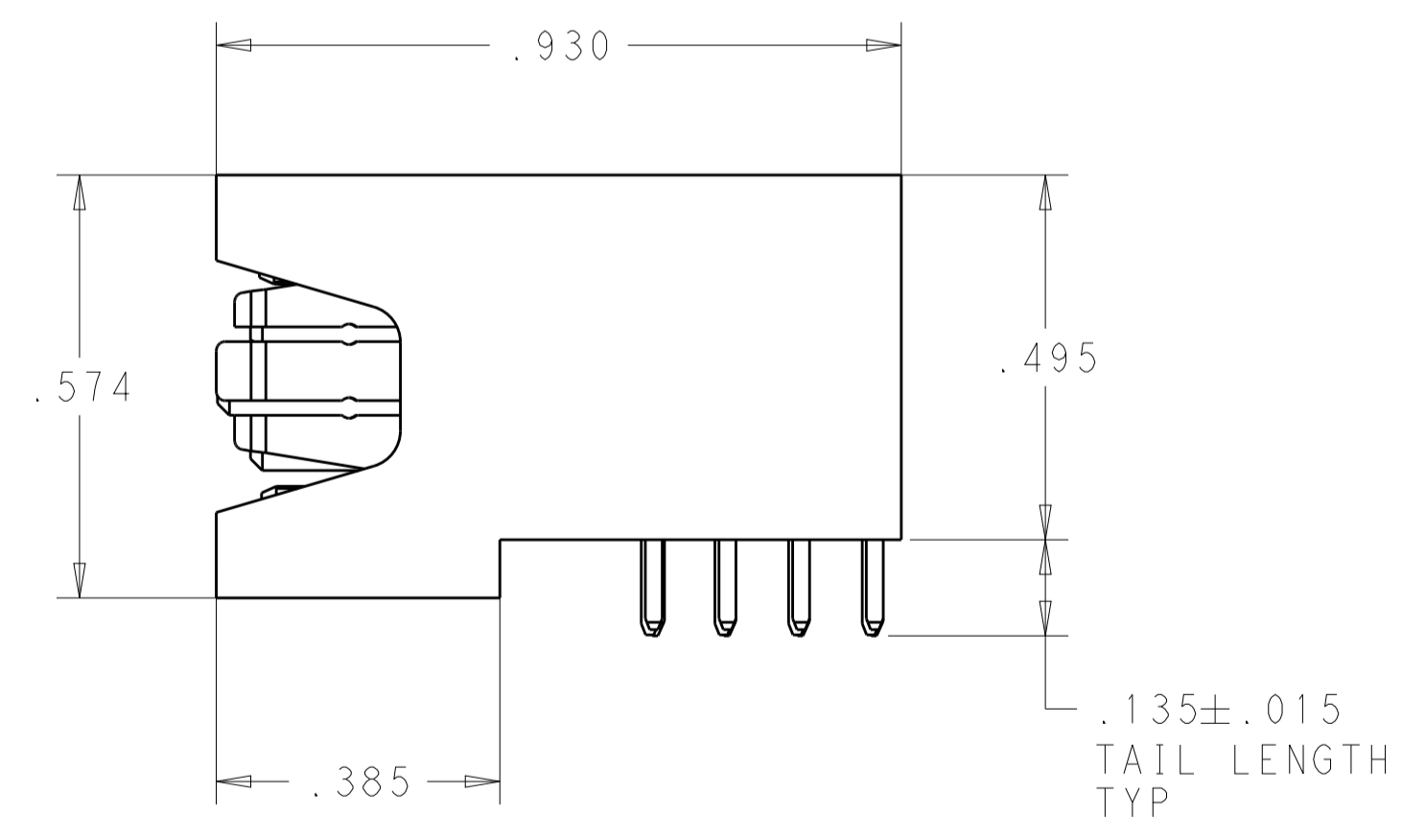
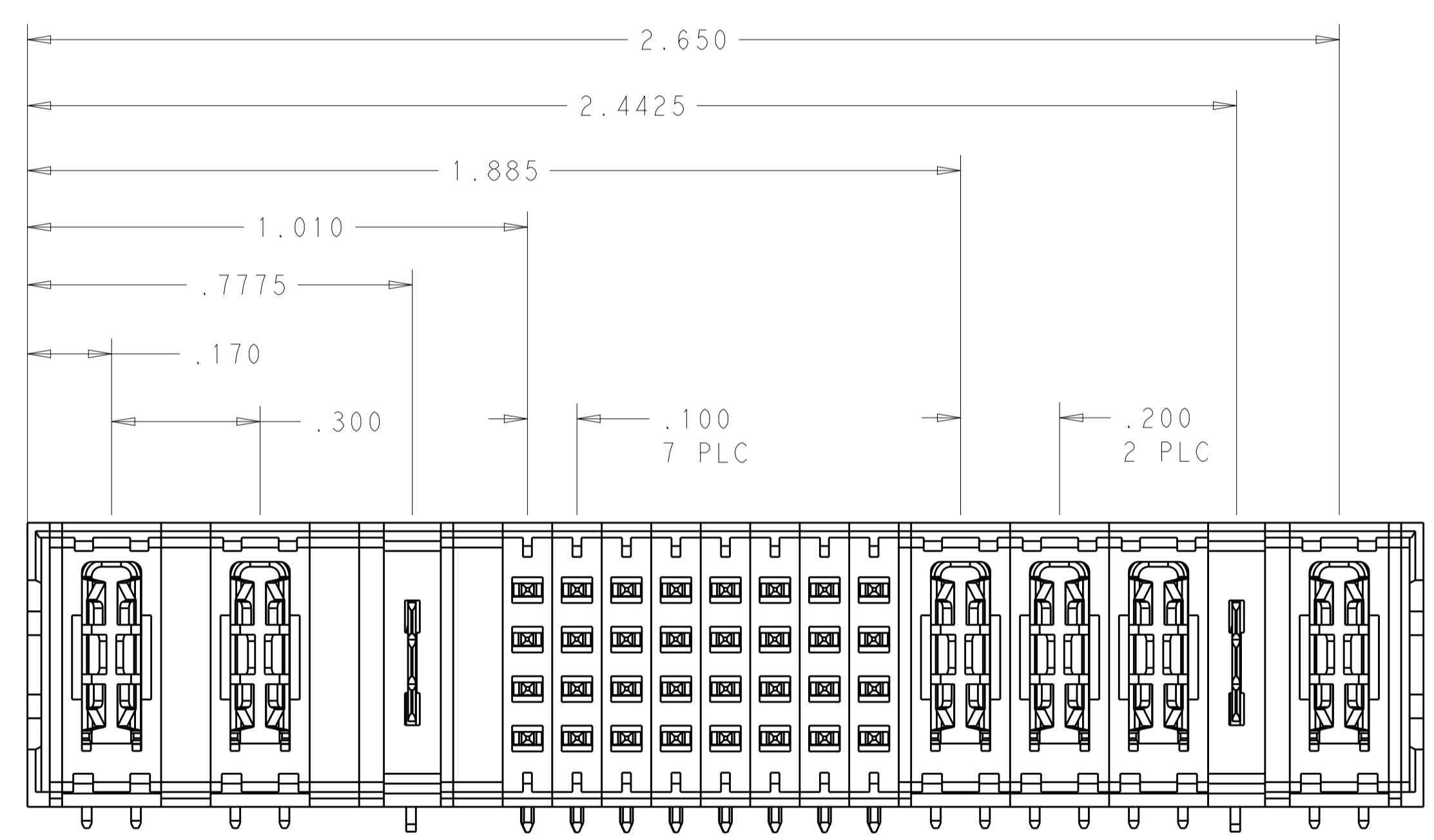


REVISIONS					
P.	LTN	DESCRIPTION	DATE	DMN	APVD
A		RELEASED	6-2-17	CT	DH



- 1 "TE", TE PART NUMBER, AND DATE CODE TO BE MARKED IN AREA SHOWN. PARTS UNDER 2.00 LONG MAY BE MARKED ON BOTH SIDES.
- 2 MATERIAL: HOUSING - GLASS FILLED HIGH TEMP THERMO PLASTIC, BLACK, UL94 V-0
 POWER CONTACT - HIGH CONDUCTIVITY COPPER ALLOY
 SIGNAL CONTACT - HIGH CONDUCTIVITY COPPER ALLOY
 LOW POWER CONTACT - HIGH CONDUCTIVITY COPPER ALLOY
- 3 CONTACT PLATING: SIGNAL CONTACTS - .000050 MIN Ni UNDER ALL
 .000050 MIN Au ON CONTACT AREA
 .000005 MIN Au AT PCB INTERFACE
 POWER CONTACTS - .000050 MIN Ni UNDER ALL
 .000050 MIN Au ON CONTACT AREA
 .000005 MIN Au AT PCB INTERFACE
 LOW POWER CONTACTS - .000050 MIN Ni UNDER ALL
 .000050 MIN Au ON CONTACT AREA
 .000005 MIN Au AT PCB INTERFACE
- 4 MECHANICAL CONNECTOR KEEP OUT ZONE.
- 5 DATUM AND BASIC DIMENSIONS ESTABLISHED BY CUSTOMER.
- 6 PCB - HOLE DIAMETERS ARE FINISHED HOLE SIZE.
- 7 PCB - .0453 ± .0010 DRILLED HOLES PLATED WITH .0003 MIN Sn OVER .001 TO .003 Cu PLATING TO ACHIEVE A .040 DIA HOLE.



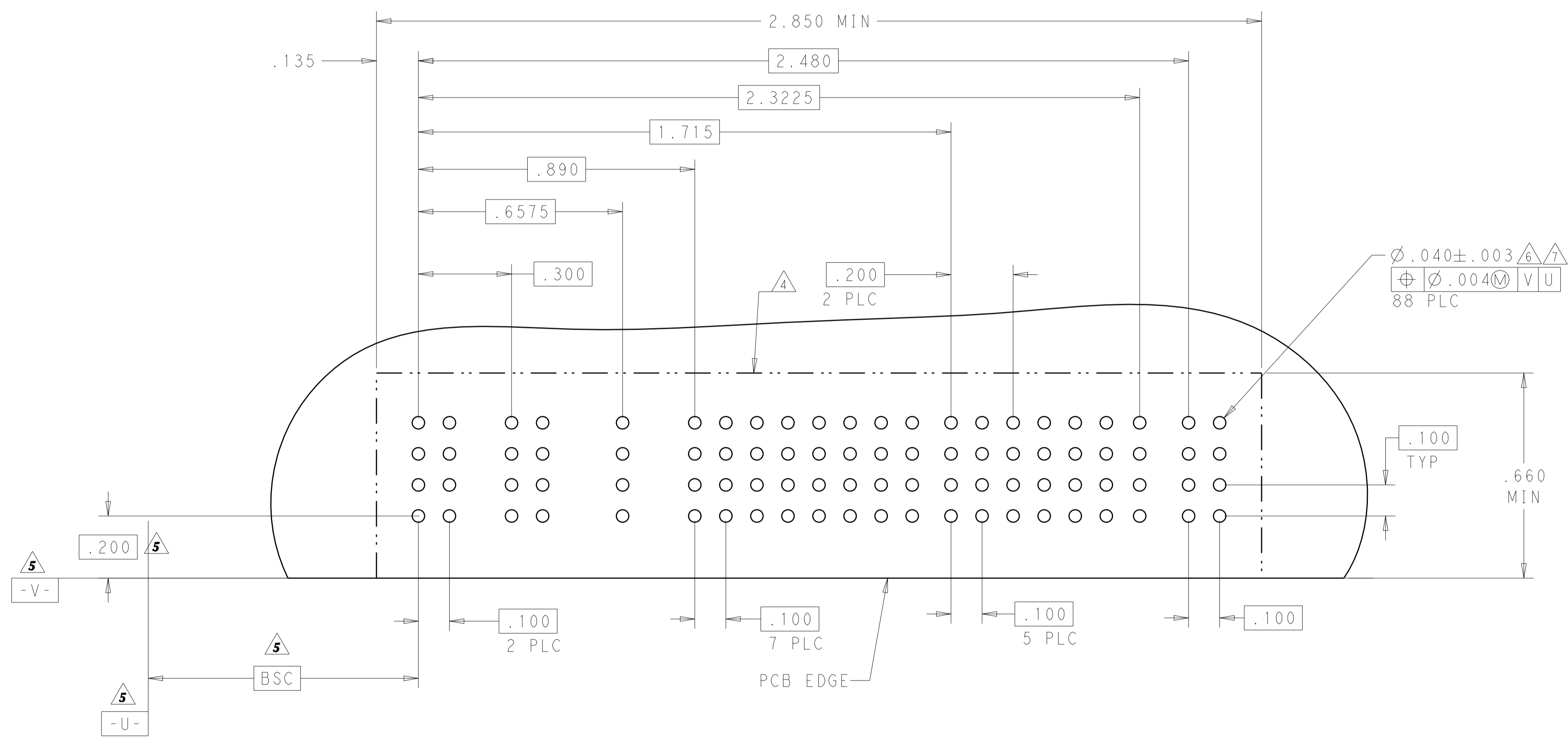
2ACP + 1LP + 32S + 3HDP + 1LP + 1HDP	2317477-1
DESCRIPTION	PART NUMBER

THIS DRAWING IS A CONTROLLED DOCUMENT.		DMN C.C. THOMAS 3-17-17	TE Connectivity
DIMENSIONS: INCHES		CHK D. HOANG 3-17-17	
TOLERANCES UNLESS OTHERWISE SPECIFIED:		APVD D. HOANG 3-17-17	NAME RIGHT ANGLE HEADER ASSEMBLY W/LP CONTACT WITH GUIDELESS MULTI BEAM XLE
0 PLC ±	1 PLC ±	2 PLC ±	PRODUCT SPEC 108-2292
3 PLC ±	4 PLC ±	ANGLES ±	APPLICATION SPEC 114-13251
MATERIAL	FINISH	WEIGHT	SIZE CAGE CODE DRAWING NO A100779C=2317477
CUSTOMER DRAWING			RESTRICTED TO SCALE 2:1 SHEET 1 OF 2 REV A

REVISIONS				
P	LTN	DESCRIPTION	DATE	APVD
-	-	SEE SHEET 1	-	-

PART NUMBER	ROWS	POWER			SIGNAL								POWER					
		P1	P2	LP1	1	2	3	4	5	6	7	8	P3	P4	P5	LP2	P6	
2317477-1	D				J	J	J	J	J	J	J	J						
	C	TM	TM	LM	K	K	K	K	K	K	K	K	TM	TM	TM	LM	TM	
	B				N	N	N	N	N	N	N	N						
	A				S	S	S	S	S	S	S	H						

2ACP+1LP+32S+3HDP+1LP+1HDP



.135 TAIL LENGTH SIGNAL CON, ROW A,MLBF	H
.135 TAIL LENGTH SIGNAL CON, ROW A,STD	S
.135 TAIL LENGTH SIGNAL CON, ROW B,STD	N
.135 TAIL LENGTH SIGNAL CON, ROW C,STD	K
.135 TAIL LENGTH SIGNAL CON, ROW D,STD	J
.135 TAIL LENGTH LOWER POWER CON,STD	LM
3 BEAM POWER CON .135 TAIL LENGTH	TM
DESCRIPTION	IDENTIFIER

THIS DRAWING IS A CONTROLLED DOCUMENT.

DIMENSIONS: INCHES	TOLERANCES UNLESS OTHERWISE SPECIFIED:	DWN: C.C. THOMAS 3-17-17	CHK: D. HOANG 3-17-17	APVD: D. HOANG 3-17-17	NAME: RIGHT ANGLE HEADER ASSEMBLY W/LP CONTACT WITH GUIDELESS MULTI BEAM XLE
	0 PLC ± 1 PLC ± 2 PLC ± 3 PLC ±.005 4 PLC ±.002 ANGLES ±.2	PRODUCT SPEC: 108-2292	APPLICATION SPEC: 114-13251	WEIGHT: -	RESTRICTED TO: -
MATERIAL: -	FINISH: -	CUSTOMER DRAWING		SCALE: 2:1	SHEET 2 OF 2

STC TE Connectivity

SIZE: A100779 C=2317477