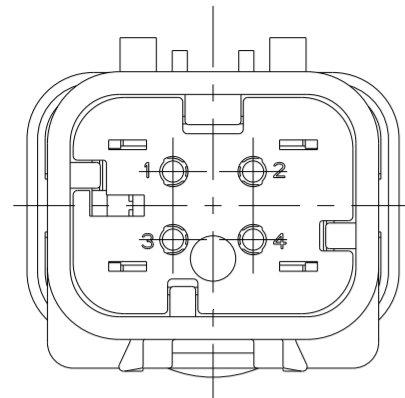
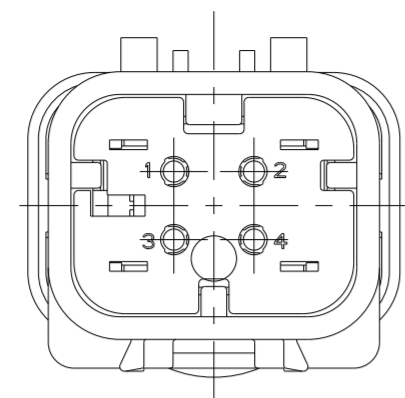


THIS DRAWING IS UNPUBLISHED. RELEASED FOR PUBLICATION
 © COPYRIGHT 20 BY - ALL RIGHTS RESERVED.

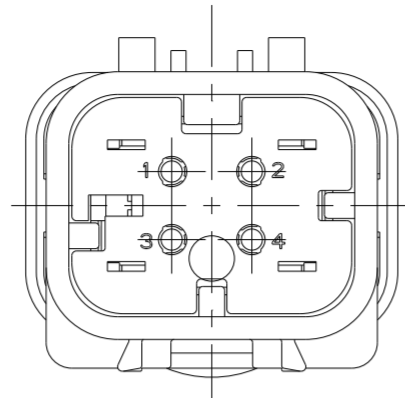
REVISIONS				
P	LTR	DESCRIPTION	DATE	APVD
A		NEW RELEASE	07APR2021	MK BC



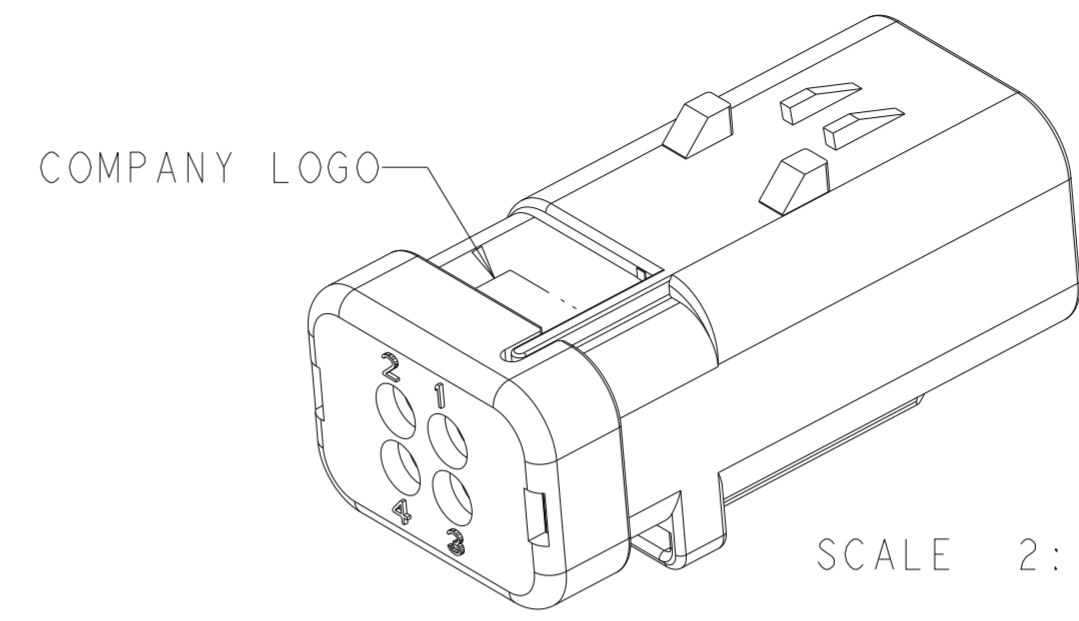
2320915-2
SCALE 2:1
KEY B



2320915-3
SCALE 2:1
KEY C

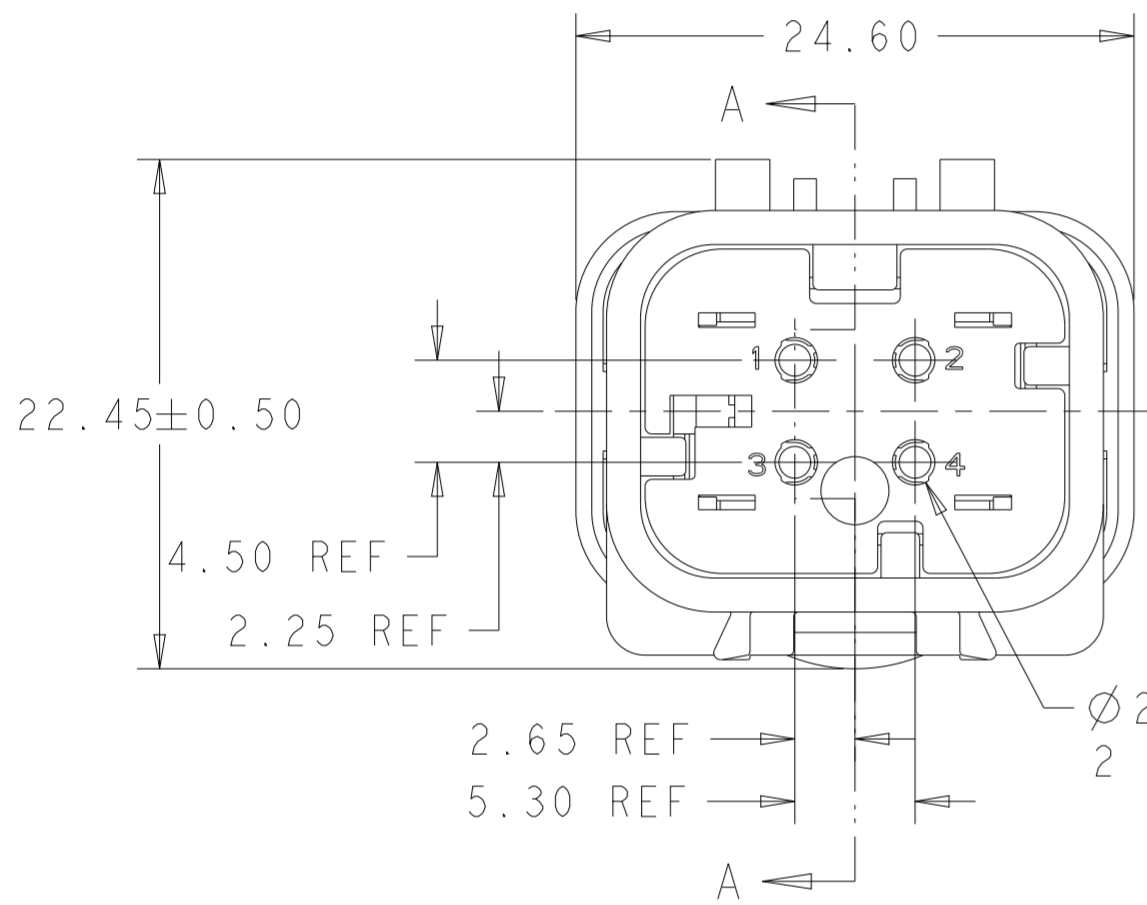
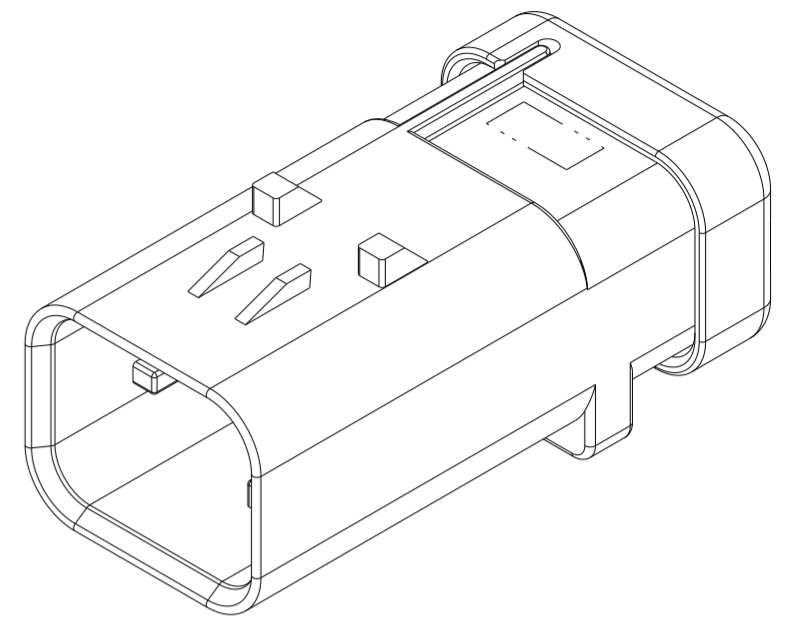


2320915-4
SCALE 2:1
KEY D

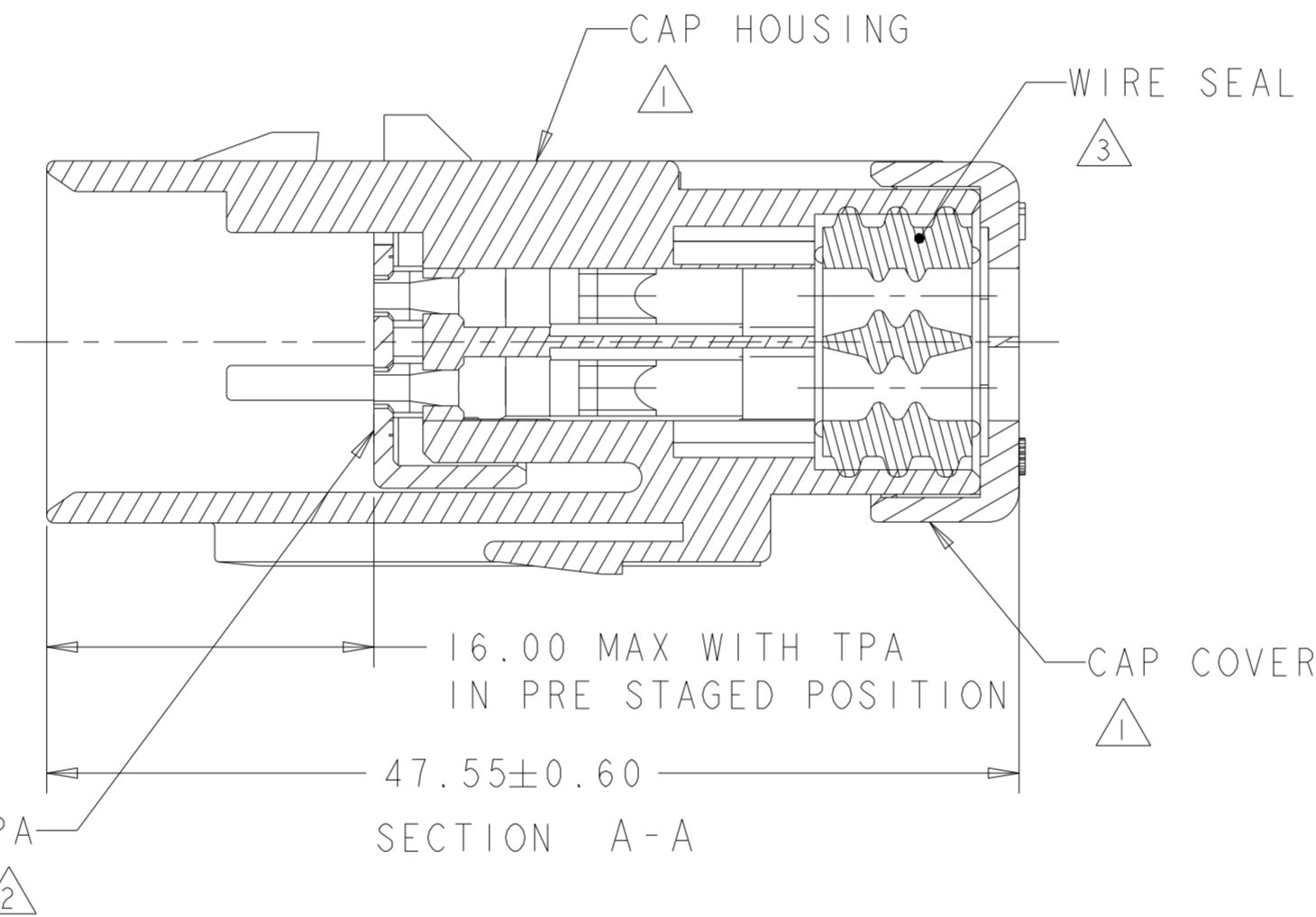


COMPANY LOGO

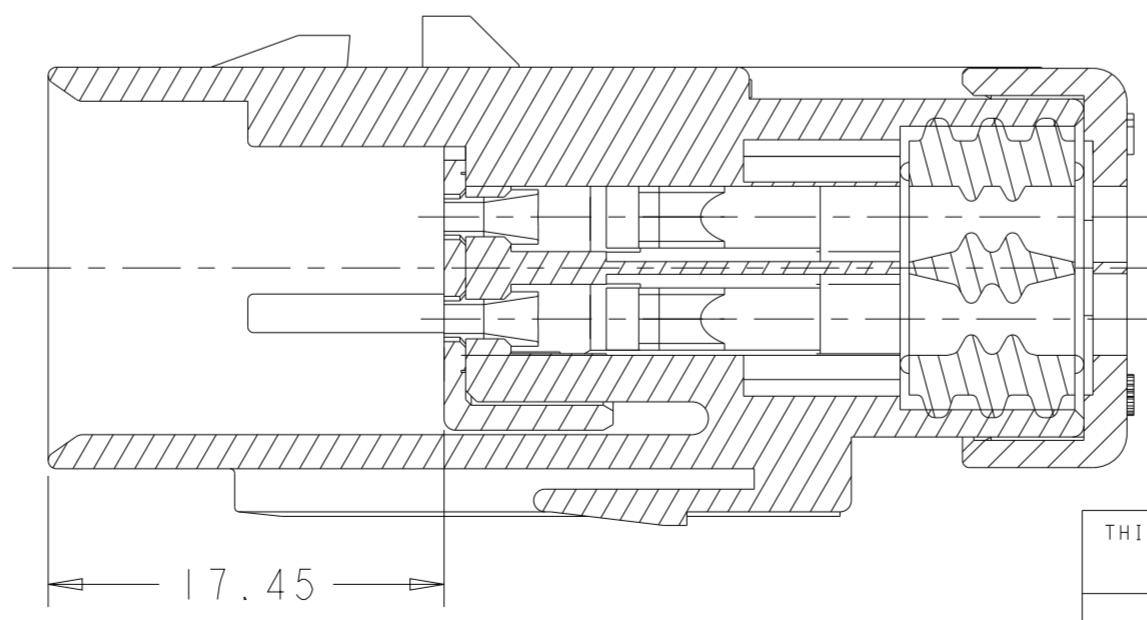
SCALE 2:1



2320915-1 SHOWN
KEY A



- 1 MATERIAL: 15% FIBERGLASS REINFORCED PBT
COLOR: GRAY
- 2 MATERIAL: 15% FIBERGLASS REINFORCED PBT
COLOR: (SEE TABLE)
- 3 MATERIAL: SILICONE
COLOR: GREEN
- 4. RECOMMENDED WIRE DIAMETER RANGE IS 2.18
TO 3.67mm.
- 5. RECOMMENDED BACKSHELLS:
STRAIGHT EXIT
A. 2292862-1 SMOOTH WIRE EXIT
B. 2292862-2 NC16/NW13 CONDUIT WIRE EXIT
C. 2292862-3 NC12/NW10 CONDUIT WIRE EXIT
90° EXIT
D. 2302483-1 SMOOTH WIRE EXIT
E. 2302483-2 NC16/NW13 CONDUIT WIRE EXIT
F. 2302483-3 NC12/NW10 CONDUIT WIRE EXIT
- 6. RECOMMENDED SEAL PLUG: 776363-1
- 7. MATING CONNECTOR: 2320922-X.



D	ORANGE	2320915-4
C	PURPLE	2320915-3
B	BLUE	2320915-2
A	TAN	2320915-1
KEY	TPA COLOR	PART NUMBER

THIS DRAWING IS A CONTROLLED DOCUMENT.		DWN J. MCNEAL 09FEB2018	TE Connectivity	
DIMENSIONS: mm		CHK R. BALTER 09FEB2018		
TOLERANCES UNLESS OTHERWISE SPECIFIED:		APVD R. BALTER 09FEB2018	NAME CAP ASSEMBLY, 4 POSITION, STD DIA SEAL, HIGH TEMP, AMPSEAL 16	
0 PLC	±	PRODUCT SPEC 108-32602	SIZE A2	
1 PLC	±	APPLICATION SPEC 114-32362	CAGE CODE 00779	DRAWING NO C-2320915
2 PLC	±0.30	WEIGHT 14g	RESTRICTED TO	
3 PLC	±	CUSTOMER DRAWING	SCALE 3:1	SHEET 1
4 PLC	±		OF	REV A
ANGLES	±			
FINISH	-			