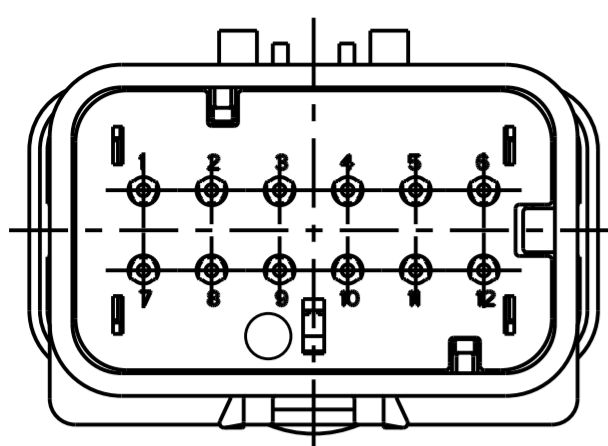
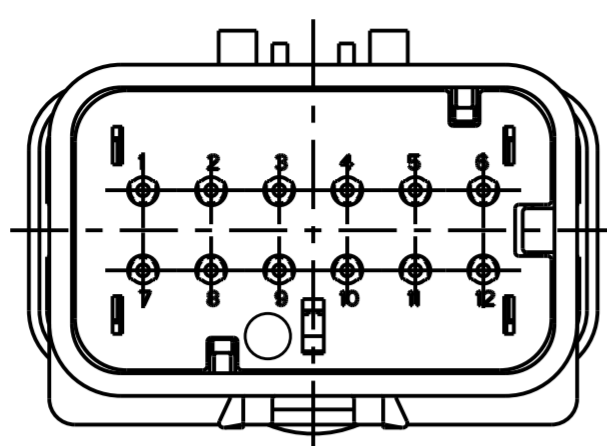


THIS DRAWING IS UNPUBLISHED
RELEASED FOR PUBLICATION
COPYRIGHT - ALL RIGHTS RESERVED.

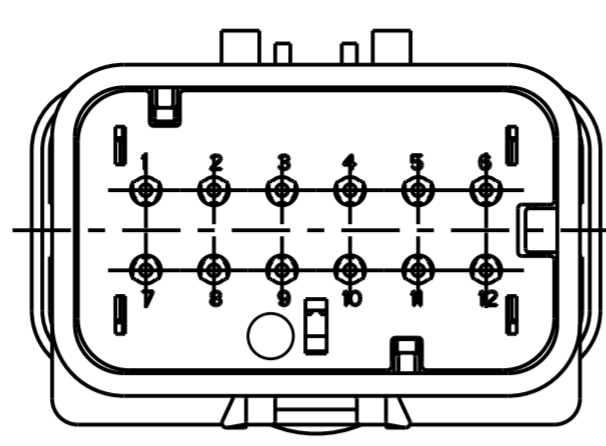
REVISIONS				
P	LTR	DESCRIPTION	DATE	APVD
A		NEW RELEASE	08APR2021	MK BC



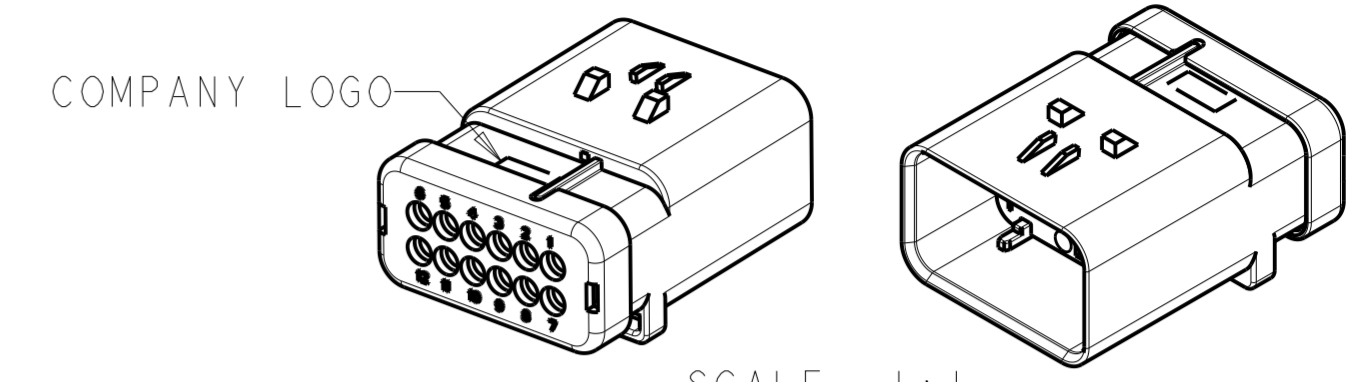
2320931-2
KEY B
SCALE 2:1



2320931-3
KEY C
SCALE 2:1

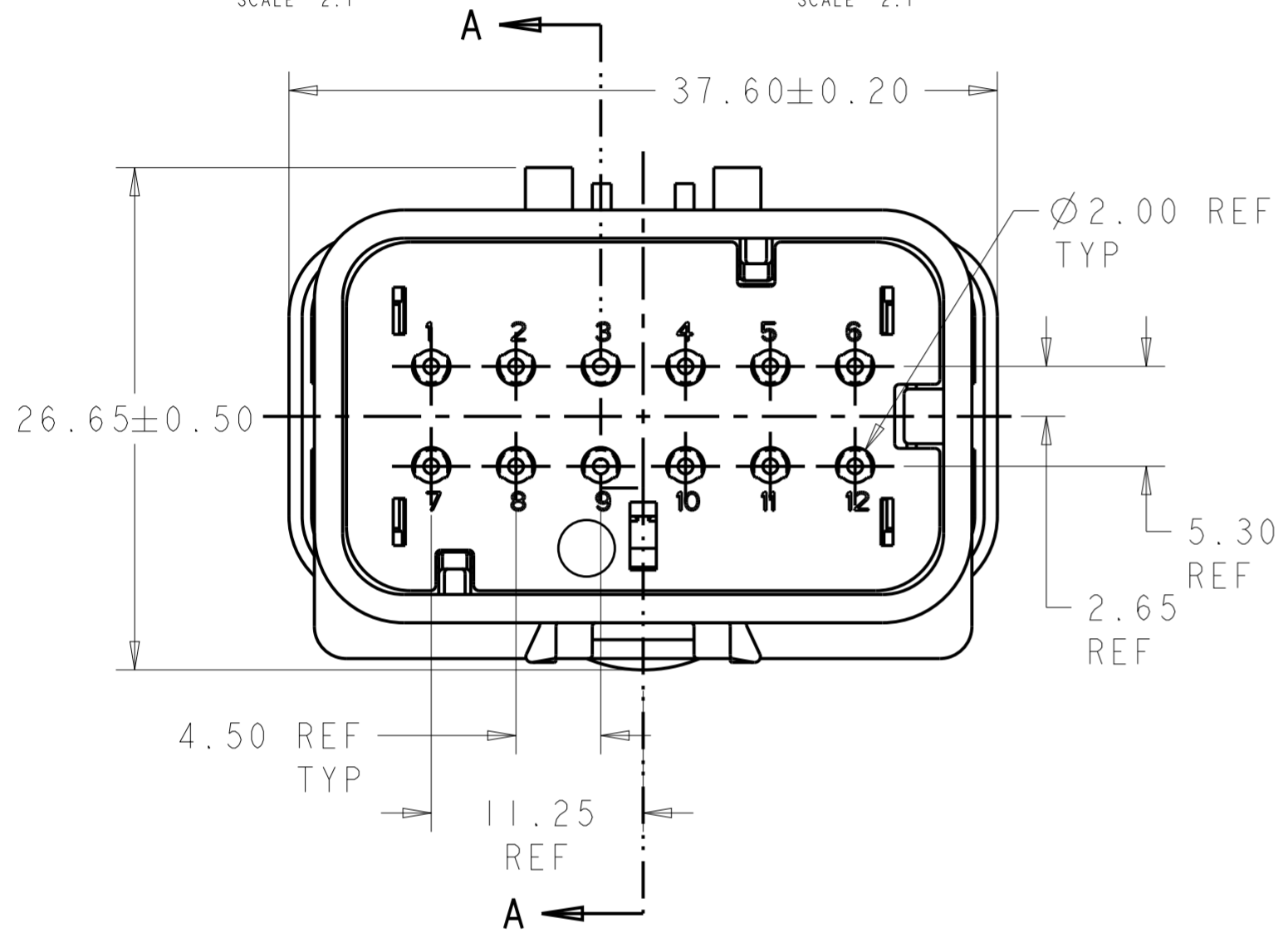


2320931-4
KEY D
SCALE 2:1

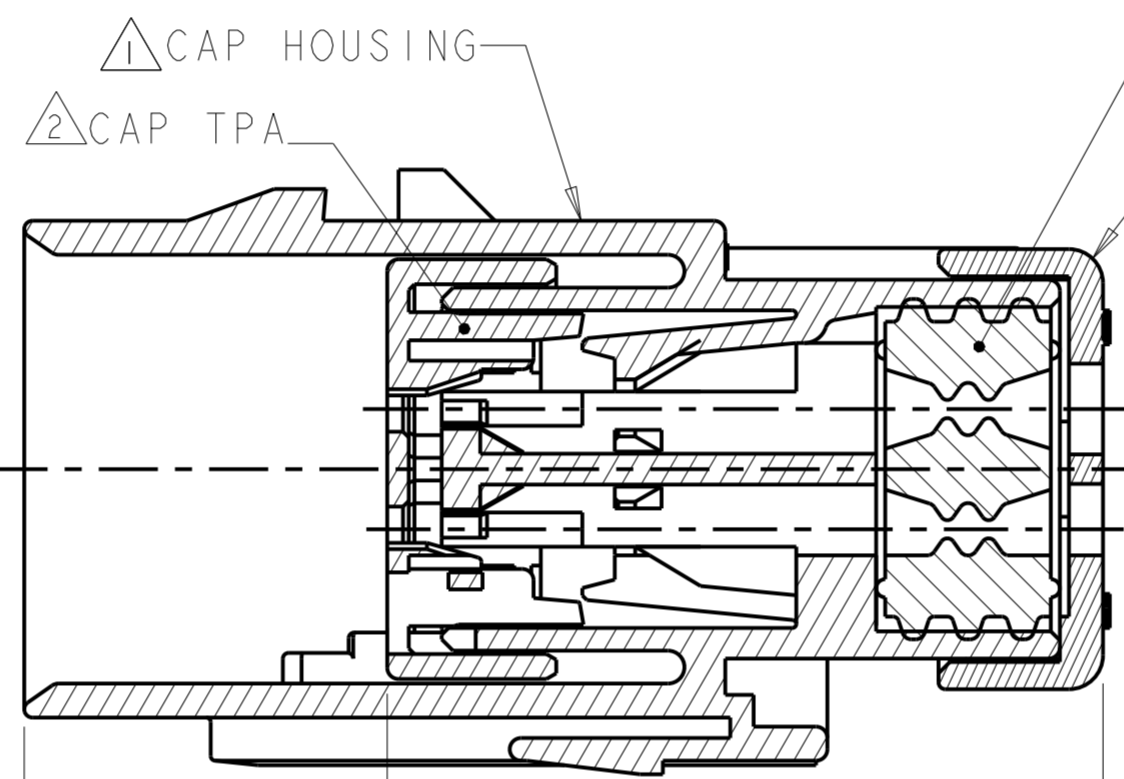


COMPANY LOGO

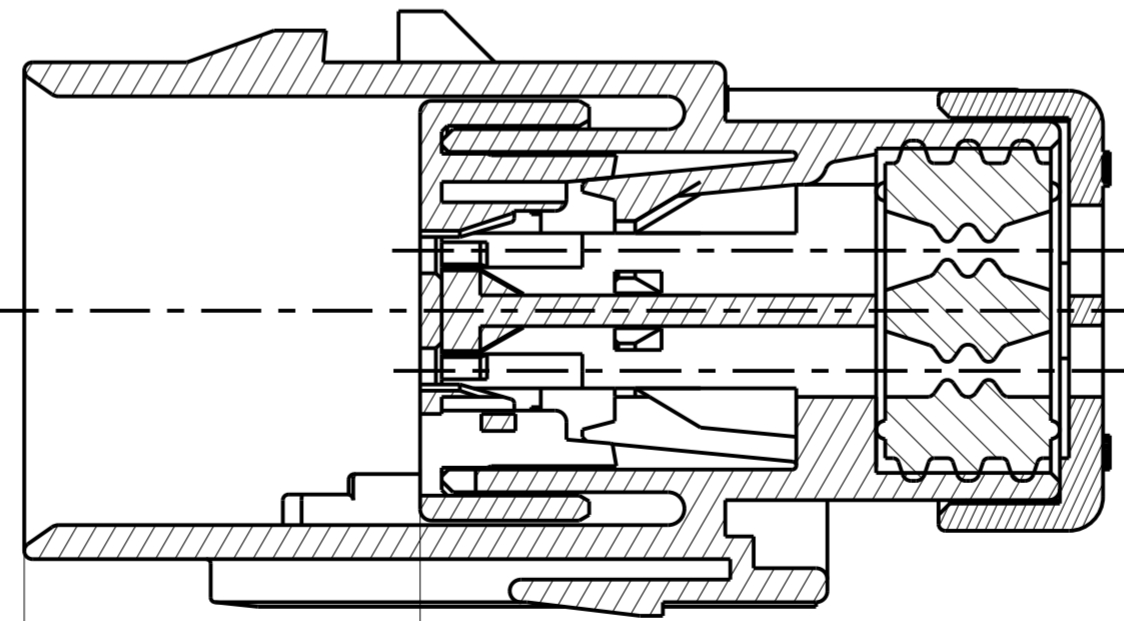
SCALE 1:1



2320931-1 SHOWN
KEY A



SECTION A-A



SECTION A-A

1 MATERIAL: 15% FIBERGLASS REINFORCED PBT
COLOR: GRAY

2 MATERIAL: 15% FIBERGLASS REINFORCED PBT
COLOR: (SEE TABLE)

3 MATERIAL: SILICONE
COLOR: RUST

4. RECOMMENDED WIRE DIAMETER RANGE IS 1.30 TO 2.54mm.

5. RECOMMENDED BACKSHELLS:

STRAIGHT EXIT

- A. 2292865-1 SMOOTH WIRE EXIT
- B. 2292865-2 NC20/NW17 CONDUIT WIRE EXIT
- C. 2292865-3 NC16/NW13 CONDUIT WIRE EXIT

90° EXIT

- D. 2302486-1 SMOOTH WIRE EXIT
- E. 2302486-2 NC20/NW17 CONDUIT WIRE EXIT
- F. 2302486-3 NC16/NW13 CONDUIT WIRE EXIT

6. RECOMMENDED SEAL PLUG: 776363-1

7. MATING CONNECTOR: 2320937-X.

D	ORANGE	23209131-4
C	PURPLE	2320931-3
B	BLUE	2320931-2
A	TAN	2320931-1
KEY	TPA COLOR	PART NUMBER

THIS DRAWING IS A CONTROLLED DOCUMENT.

DIMENSIONS:	TOLERANCES UNLESS OTHERWISE SPECIFIED:	DWN J MCNEAL 20MAR2018	TE Connectivity
mm	0 PLC ±	CHK R BALTER 20MAR2018	
	1 PLC ±	APVD R BALTER 20MAR2018	
	2 PLC ±0.30	PRODUCT SPEC 108-32602	
	3 PLC ±	APPLICATION SPEC 114-32362	NAME
	4 PLC ±	WEIGHT 22.5±1g	SIZE
	ANGLES ±	CUSTOMER DRAWING	CAGE CODE
	FINISH		DRAWING NO
			RESTRICTED TO

SCALE 3:1 SHEET 1 OF 1 REV A