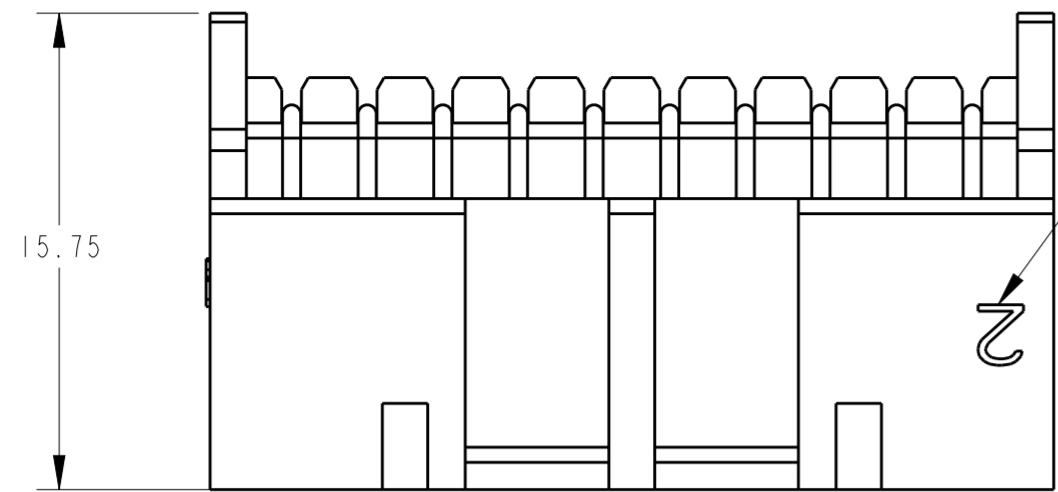
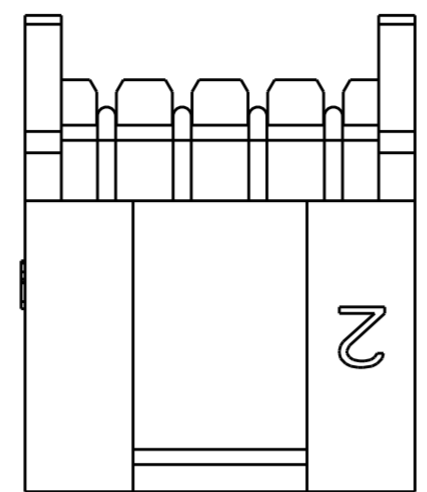


THIS DRAWING IS UNPUBLISHED. RELEASED FOR PUBLICATION 20
 ALL RIGHTS RESERVED.
 © COPYRIGHT 20

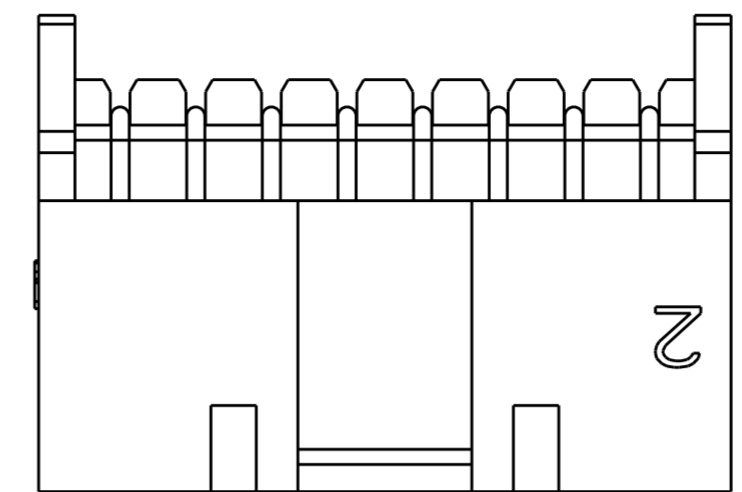
LOC		DIST		REVISIONS				
P	LTR	DESCRIPTION	DATE	DWN	APVD			
AF	50	A	FIRST RELEASED	22AUG2019	WH	DZ		



DUAL LATCH DETAIL FOR
1-2323750-8 THRU 4-2323750-0



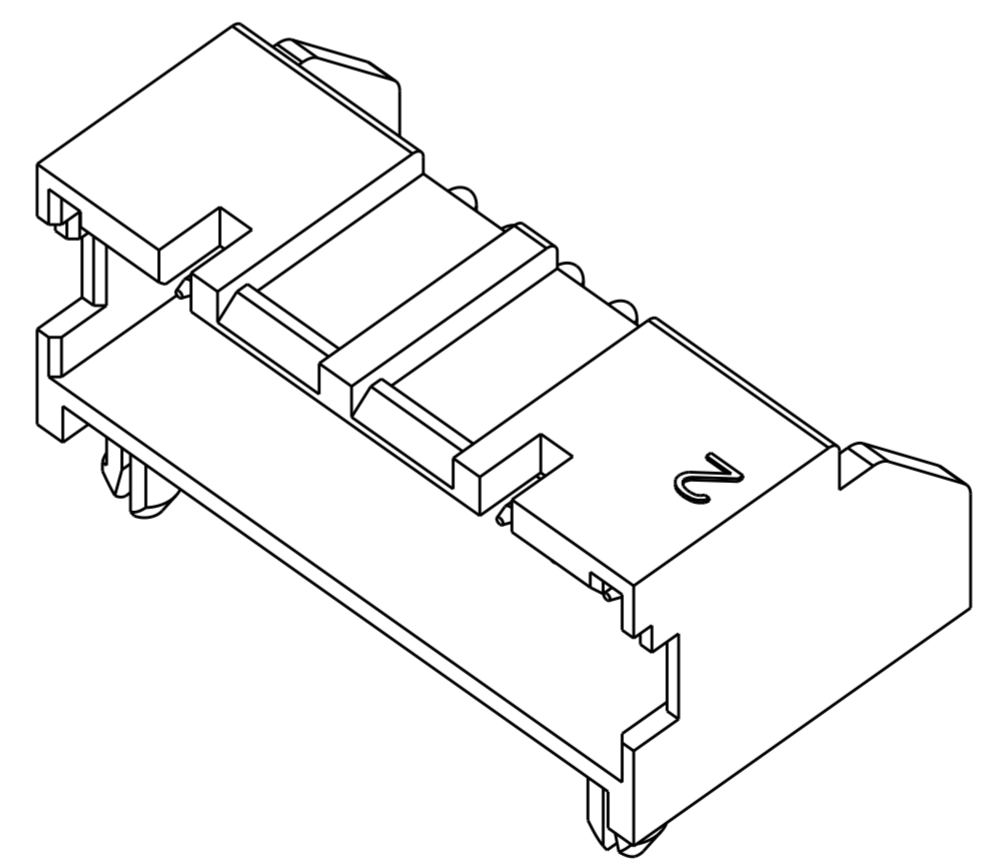
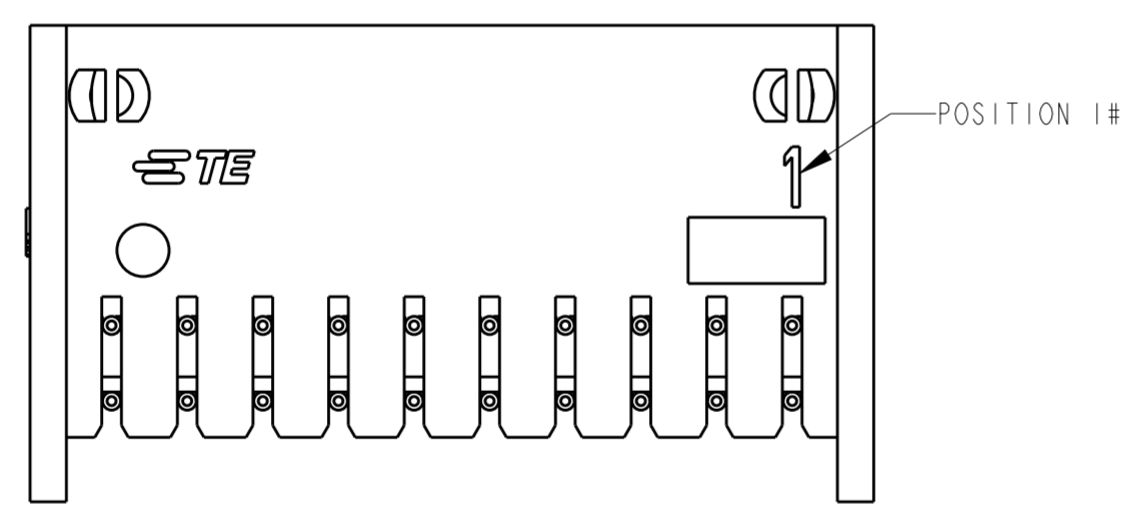
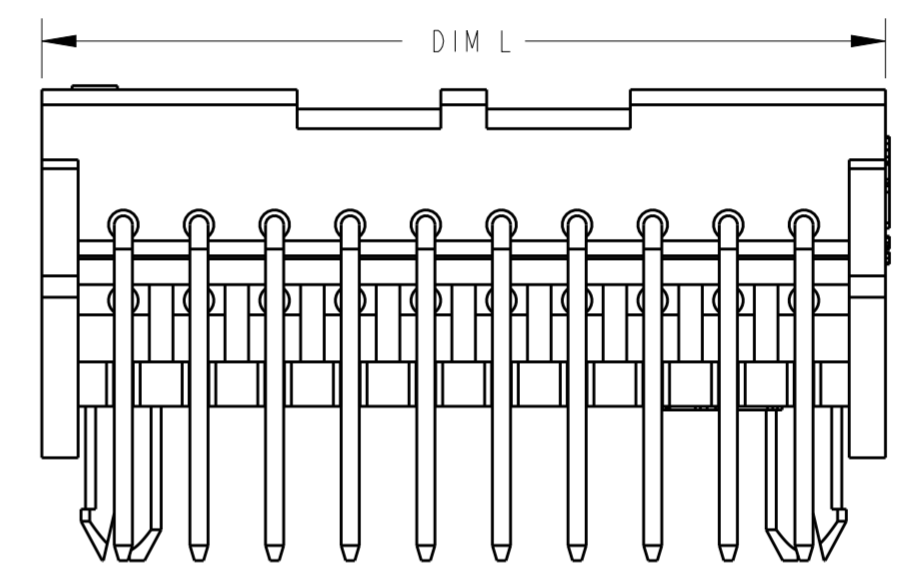
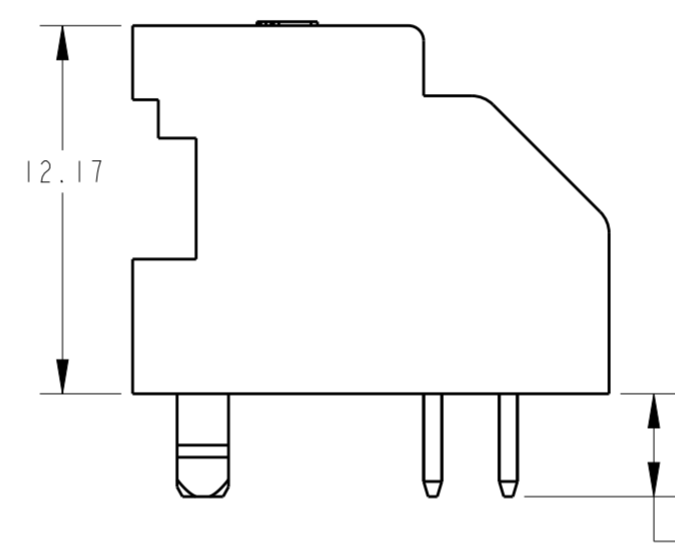
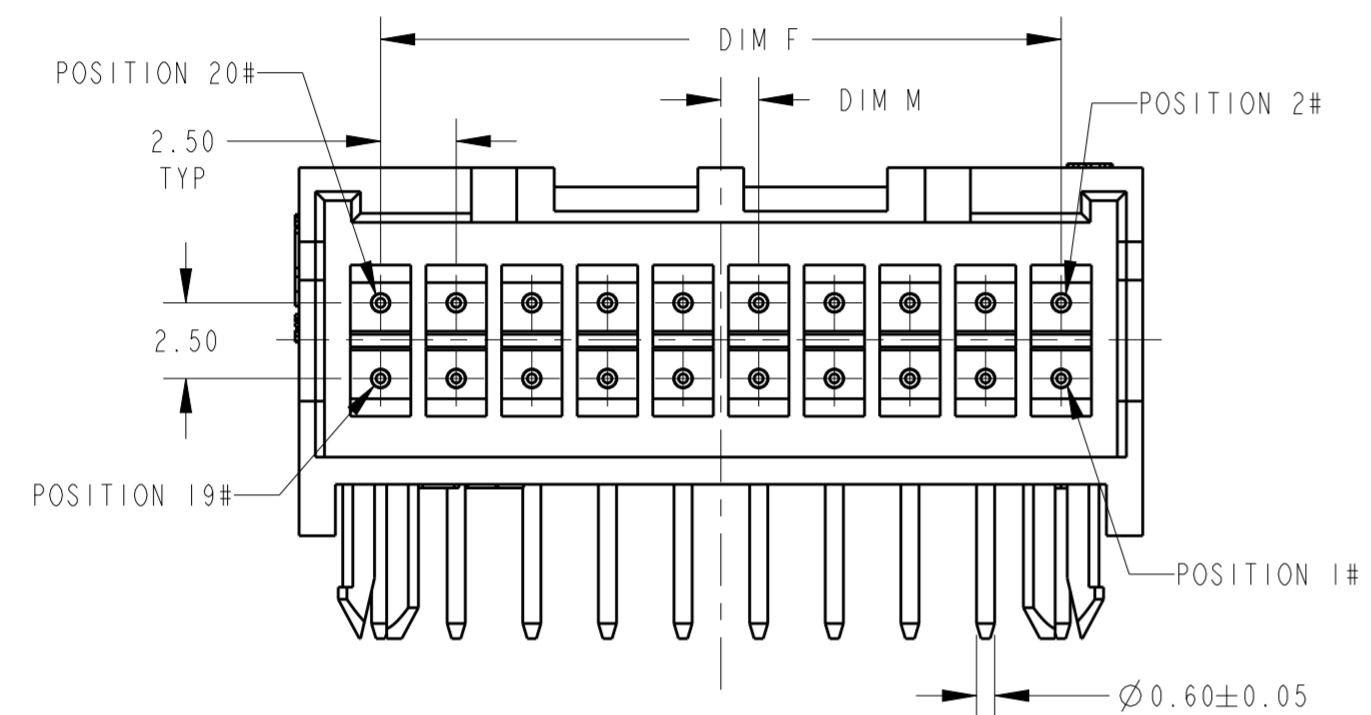
SINGLE LATCH DETAIL FOR
2323750-8 AND 1-2323750-0



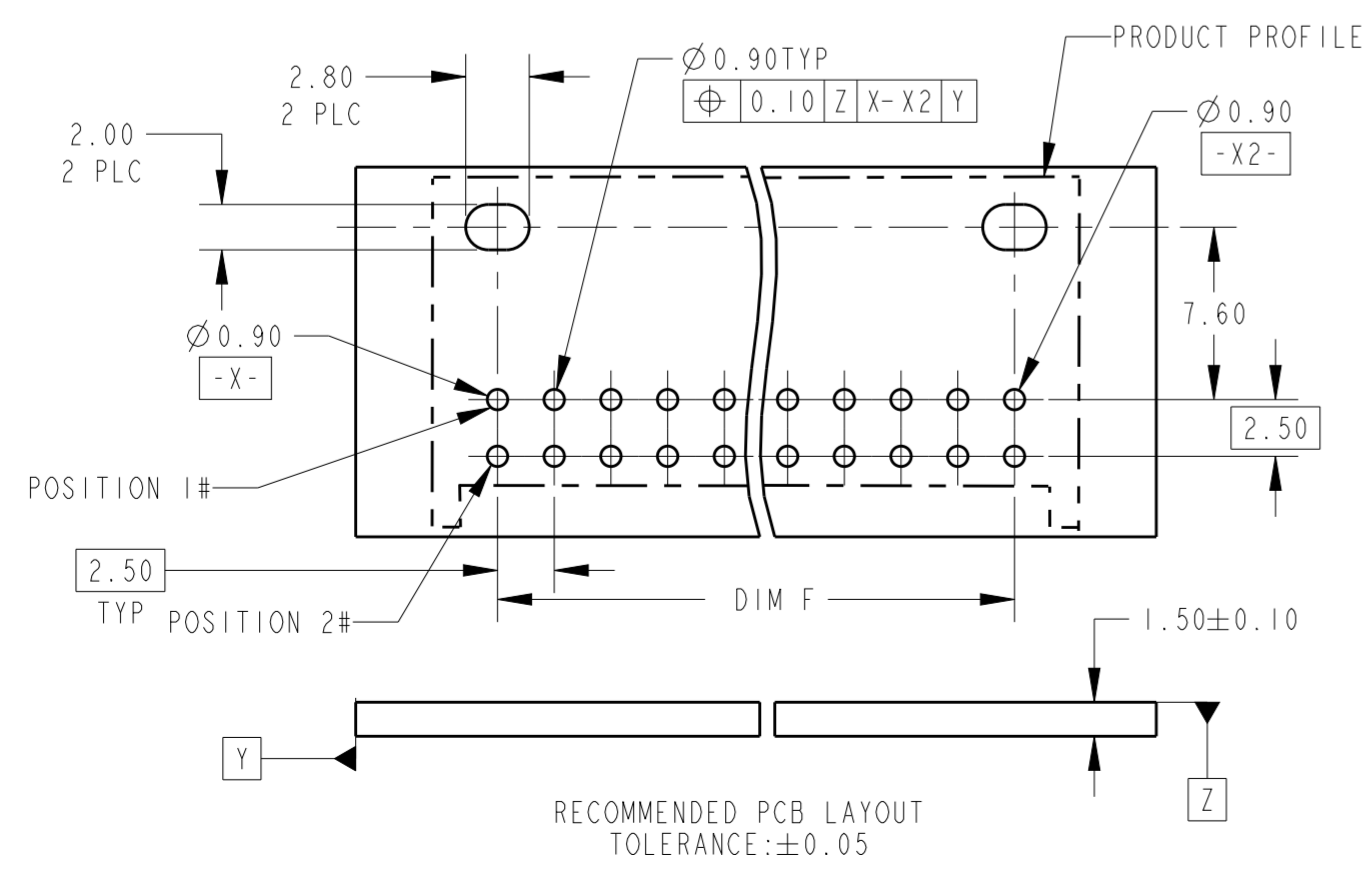
SINGLE LATCH DETAIL FOR
1-2323750-2 THRU 1-2323750-6

NOTES:

- 1 MATERIAL:
HOUSING: NYLON 66, UL94V-0, COLOR NATURAL
TERMINAL: COPPER ALLOY, 2µm MIN TIN OVERALL
- 2 RECOMMENDED MATING PART: []-2323743-[]
- 3 COMPLY WITH GLOW WIRE REQUIREMENTS FOR PARTS OF NON-METALLIC MATERIAL SUPPORTING A CURRENT-CARRYING CONNECTION DETAILED IN IEC 60335-1, SECTION 30(GWT)



1.25	2	47.50	52.89	40	4-2323750-0
0.00	2	45.00	50.39	38	3-2323750-8
1.25	2	42.50	47.89	36	3-2323750-6
0.00	2	40.00	45.39	34	3-2323750-4
1.25	2	37.50	42.89	32	3-2323750-2
0.00	2	35.00	40.39	30	3-2323750-0
1.25	2	32.50	37.89	28	2-2323750-8
0.00	2	30.00	35.39	26	2-2323750-6
1.25	2	27.50	32.89	24	2-2323750-4
0.00	2	25.00	30.39	22	2-2323750-2
1.25	2	22.50	27.89	20	2-2323750-0
0.00	2	20.00	25.39	18	1-2323750-8
1.25	1	17.50	22.89	16	1-2323750-6
0.00	1	15.00	20.39	14	1-2323750-4
1.25	1	12.50	17.89	12	1-2323750-2
0.00	1	10.00	15.39	10	1-2323750-0
1.25	1	7.50	12.89	8	2323750-8
DIM M	NO. OF LATCH CUT-OUTS	DIM F	DIM L	NO. OF POSITION	PART NO.



RECOMMENDED PCB LAYOUT
TOLERANCE: ±0.05

THIS DRAWING IS A CONTROLLED DOCUMENT.

DIMENSIONS: mm	TOLERANCES UNLESS OTHERWISE SPECIFIED:	DWN WARREN HUO 26AUG2018	 TE Connectivity NAME: HEADER ASSEMBLY, EP2.5 DUAL ROW RIGHT ANGLE, GWT SIZE: A2 CAGE CODE: 00779 DRAWING NO: C-2323750 RESTRICTED TO: -
	0 PLC ±	CHK DANIEL ZHANG 27AUG2018	
	1 PLC ±	APVD DANIEL ZHANG 27AUG2018	
	2 PLC ±0.25	PRODUCT SPEC: 108-106357	
	3 PLC ±	APPLICATION SPEC: 114-13315	SCALE: N/A SHEET 1 OF 1 REV A
	4 PLC ±	WEIGHT: -	
MATERIAL	ANGLES ±5°	CUSTOMER DRAWING	
	FINISH		