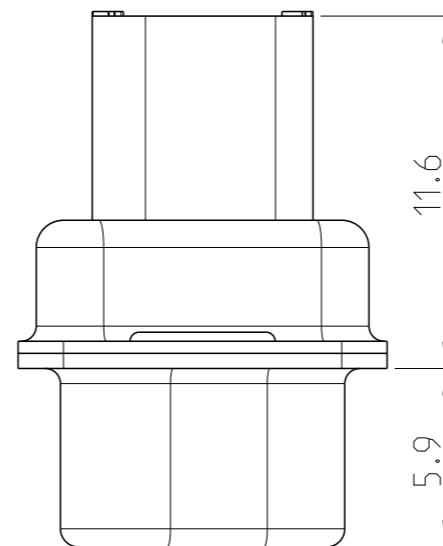
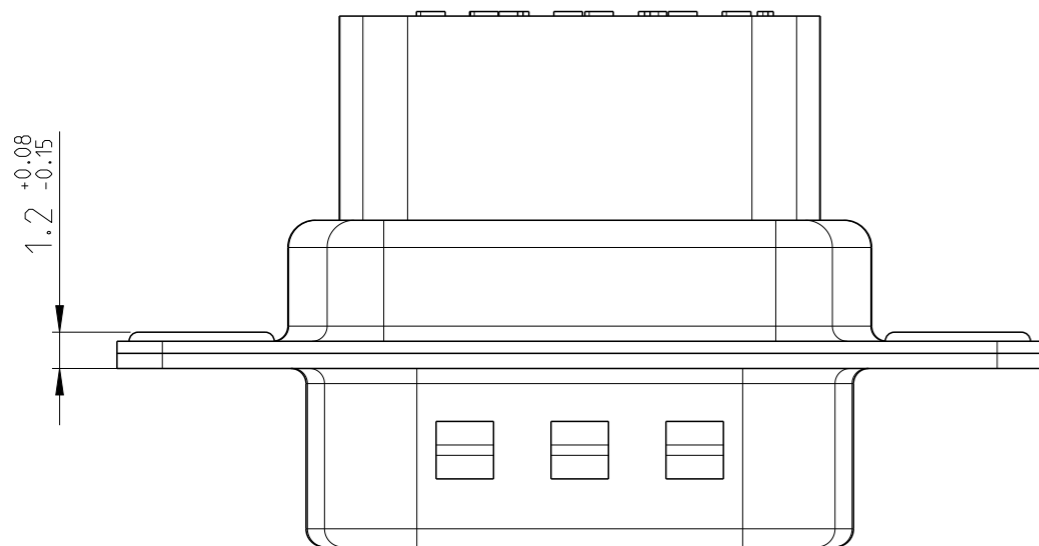


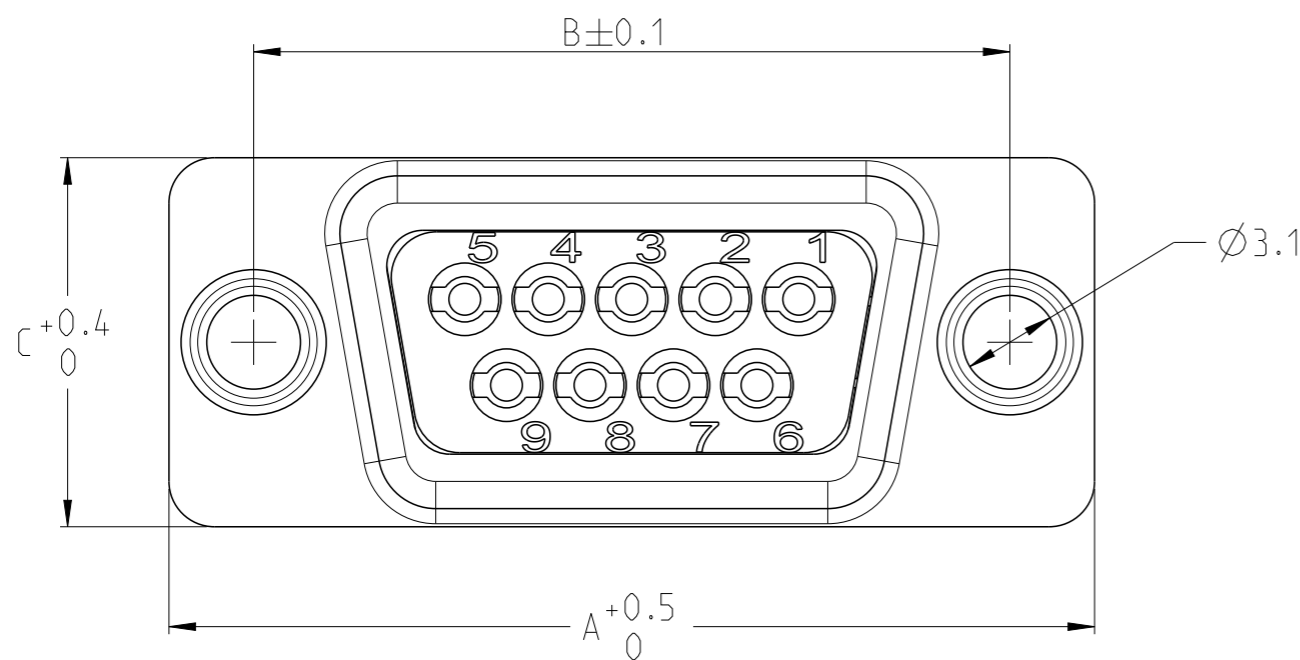
REFER PAGE 2 FOR CRIMP CONTACT DETAILS

REVISIONS

P	LTR	DESCRIPTION	DATE	DWN	APVD
	A	INITIAL RELEASE	12APR2018	GK	ES
	A1	EN45545 COMPLIANT VERSIONS ADDED	29SEP2020	GK	SE



- 1 MATERIAL  
MOLDED PARTS:  
THERMOPLASTIC (PA66 GF-15), 94V-0 RATED,  
FLAME RETARDANT, BLACK.  
SHELL: STEEL  
CONTACTS: COPPER ALLOY.
- 2 SHELL: TIN PLATED.  
CONTACTS: GOLD PLATED OVER NICKEL.

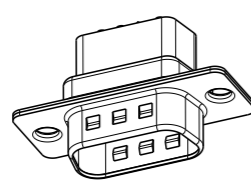
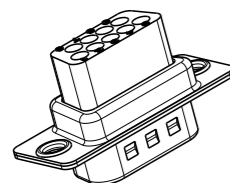


EN45545 COMPLIANT VERSIONS	12.3	15.2	61.1	66.6	50	1-2334100-5
	11.2	12.2	63.5	69.2	37	1-2334100-4
	8.4	12.2	47.0	52.8	25	1-2334100-3
	6.0	12.2	33.3	39.0	15	1-2334100-2
	4.6	12.2	25.0	30.6	9	1-2334100-1
-	12.3	15.2	61.1	66.6	50	2334100-5
-	11.2	12.2	63.5	69.2	37	2334100-4
-	8.4	12.2	47.0	52.8	25	2334100-3
-	6.0	12.2	33.3	39.0	15	2334100-2
-	4.6	12.2	25.0	30.6	9	2334100-1
NOTES	WEIGHT (g)	C	B	A	NO OF POS	PART NO

SHOWN 2334100-1

1:1

1:1



THIS DRAWING IS A CONTROLLED DOCUMENT.

DIMENSIONS:	TOLERANCES UNLESS OTHERWISE SPECIFIED:
mm	
	0 PLC ±
	1 PLC ±
	2 PLC ±
	3 PLC ±
	4 PLC ±
	ANGLES ±
MATERIAL	FINISH
1	2

DWN	09APR2018	GOPALAKRISHNA HV
CHK	09APR2018	E STELLINGA
APVD	09APR2018	E STELLINGA
PRODUCT SPEC	-	
APPLICATION SPEC	-	
WEIGHT	SEE TABLE A3	
CUSTOMER DRAWING		

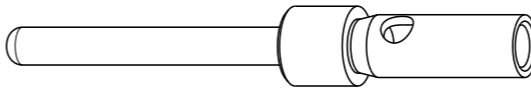


NAME				D-SUB CRIMP MALE 9-50 POS	
SIZE				A3	
CAGE CODE		DRAWING NO		RESTRICTED TO	
00779		C-2334100			
SCALE			SHEET	OF	REV
4:1			1	2	A1

REVISIONS

P	LTR	DESCRIPTION	DATE	DWN	APVD
	-	SEE SHEET 1	-	-	-

CRIMP CONTACT DETAILS

WIRE SIZE	PIN(MALE)	PICTORIAL VIEW
AWG 20	2334110-2	
AWG 22	2334110-3	
AWG 24-28	2334110-4	


CONTACT CRIMP TOOL

PICTORIAL VIEW

601966-1 (COMPACT)  
601967-1 (STANDARD)



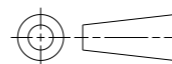
CONTACT POSITIONER DETAILS (CONTACT TYPE:SOCKET)

CRIMP TOOL	PART NUMBER	PICTORIAL VIEW
COMPACT	601966-2	
STANDARD	1-2823582-4	

THIS DRAWING IS A CONTROLLED DOCUMENT.

DIMENSIONS:

mm



TOLERANCES UNLESS OTHERWISE SPECIFIED:

- 0 PLC ±
- 1 PLC ±
- 2 PLC ±
- 3 PLC ±
- 4 PLC ±
- ANGLES ±
- FINISH ±

MATERIAL

DWN 09APR2018

GOPALAKRISHNA HV

CHK 09APR2018

E STELLINGA

APVD 09APR2018

F STELLINGA

PRODUCT SPEC

-

APPLICATION SPEC

-

WEIGHT

SEE TABLE A 3



TE Connectivity

NAME D-SUB CRIMP MALE 9-50 POS

-

-

SIZE CAGE CODE DRAWING NO RESTRICTED TO

A 3 00779 C-2334100

CUSTOMER DRAWING

SCALE 4:1

SHEET 2 OF 2

REV A1