

2018

RELEASED FOR PUBLICATION

THIS DRAWING IS UNPUBLISHED.

BY Tyco Electronics AMP GmbH ALL RIGHTS RESERVED.

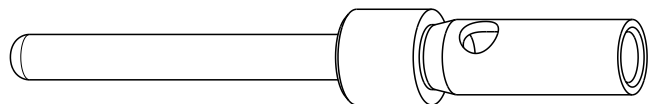
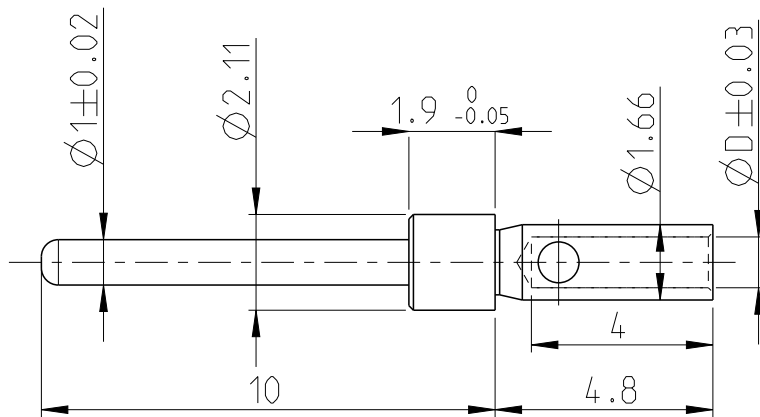
© COPYRIGHT 2018

REVISIONS

P	LTR	DESCRIPTION	DATE	DWN	APVD
	A	INITIAL RELEASE	11JUL2018	GK	ES

NOTES:

- 1. COPPER ALLOY.
- 2. GOLD PLATED OVER NICKEL
- 3. DURABILITY: 250 MATING CYCLES
- 4. MAX CURRENT 7A
MAX CONTACT RESISTANCE 10MΩ



	0.18	0.64	24-28	2334110-4
NOT IN PRODUCTION	0.17	0.90	22-24	2334110-3
	0.16	1.12	20-24	2334110-2
NOT IN PRODUCTION	0.18	1.36	18	2334110-1
	WEIGHT (g)	D	AWG	PART NO

DIMENSIONS: mm	DWN GOPALAKRISHNA HV	18APR2018	MATERIAL	1	FINISH	2
	CHK E STELLINGA	18APR2018	TE Connectivity			
TOLERANCES UNLESS OTHERWISE SPECIFIED:	APVD E STELLINGA	18APR2018				
	0 PLC ± 1 PLC ± 2 PLC ± 3 PLC ± 4 PLC ± ANGLES ±	PRODUCT SPEC -	APPLICATION SPEC -	SIZE A 4	CAGE CODE 00779	DRAWING NO C=2334110
	WEIGHT SEE TABLE	CUSTOMER DRAWING		SCALE 6:1	SHEET 1 OF 1	REV A