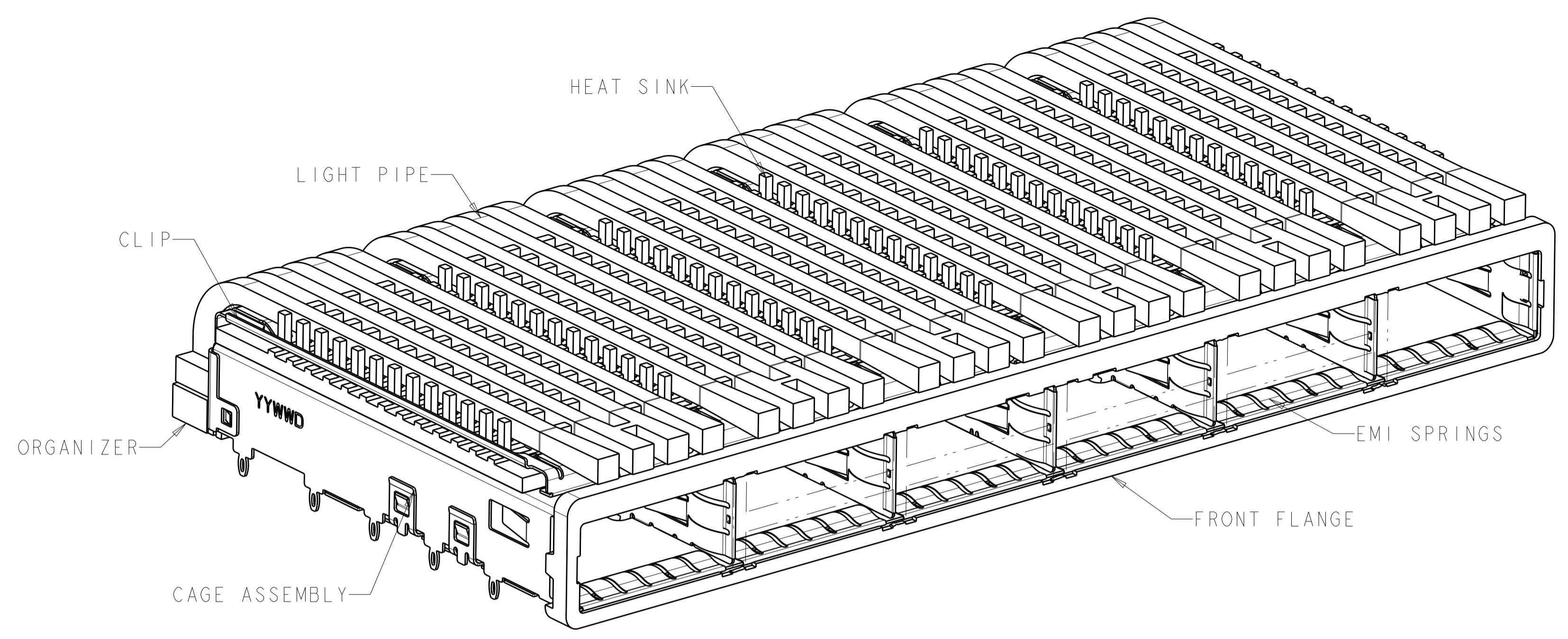
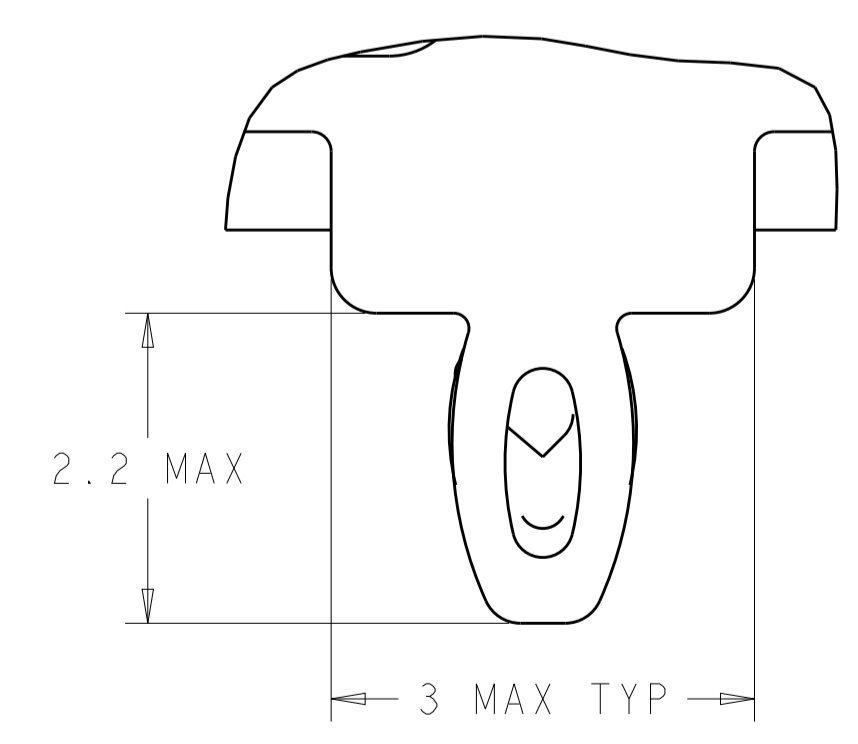
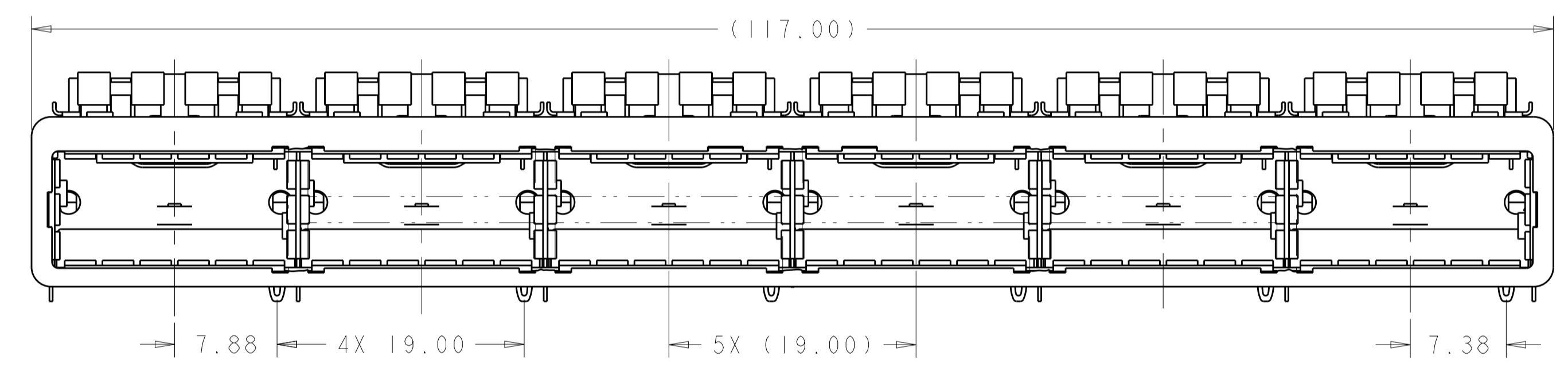
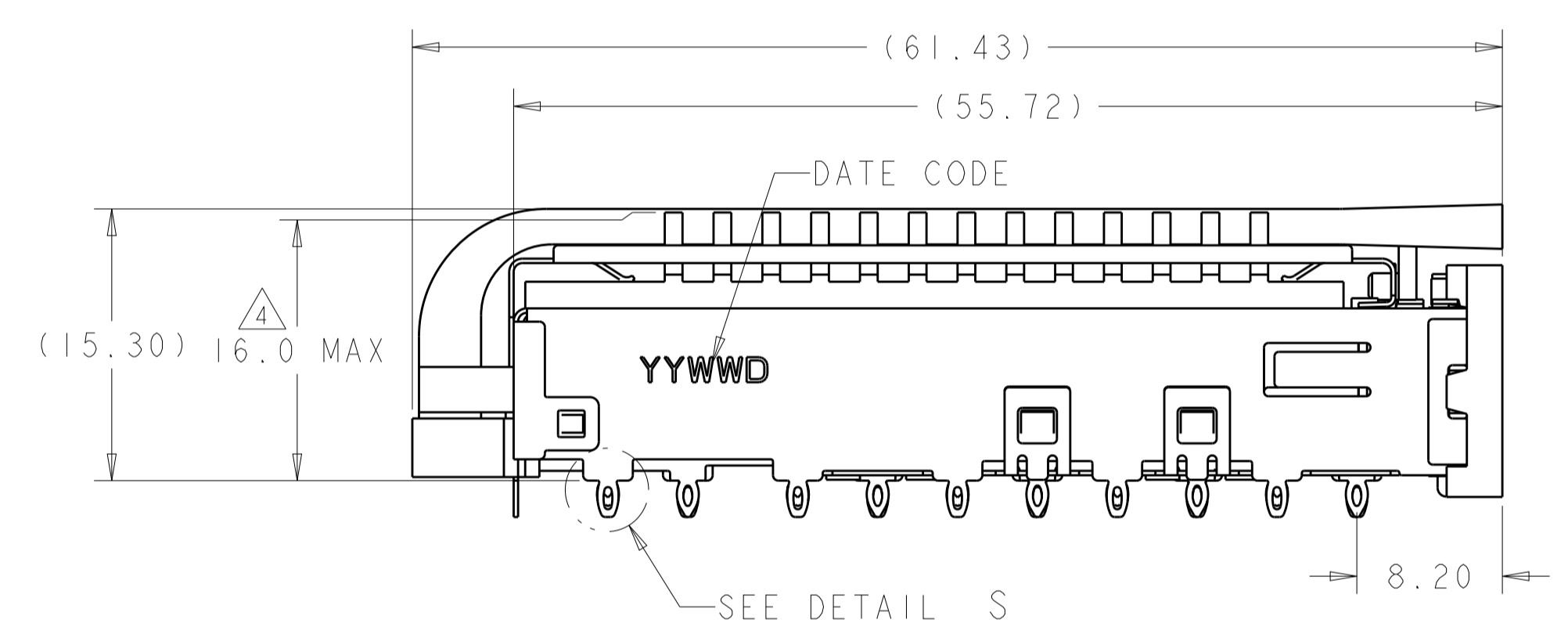


LOC	DIST	REVISIONS			
GP	00	REV	DATE	BY	CHK
		A	RELEASE TO A	25APR2019	JY SH



- 1 MATERIALS/FINISH:
 CAGE ASSEMBLY - NICKEL-SILVER ALLOY, (0.25) THICK
 EMI SPRINGS - COPPER ALLOY/TIN PLATING
 FRONT FLANGE - ZINC ALLOY/NICKEL OVER COPPER
 HEAT SINK - ALUMINUM/ANODIZE BLACK
 LIGHT PIPE - PC
- 2 SPACING BETWEEN CAGES ON THE SAME PCB TO BE SPECIFIED BY THE CUSTOMER, MUST COMPLY WITH MINIMUM DIMENSION SHOWN
- 3 REFERENCE APPLICATION SPECIFICATION 114-32023 FOR RECOMMENDED DRILL HOLE DIAMETER AND PLATING THICKNESS
- 4 DATUMS AND BASIC DIMENSIONS ESTABLISHED BY CUSTOMER
- 5 UNPLATED THRU HOLE
- 6 MATES WITH QSFP MSA COMPATIBLE TRANSCEIVER
- 7 DATE CODE (YYWWD) IS MARKED ON CAGE.
- 8 DATUM Z IS TOP SURFACE OF PC BOARD.

2334626-1 WITH LIGHT PIPE
 SCALE 3:1

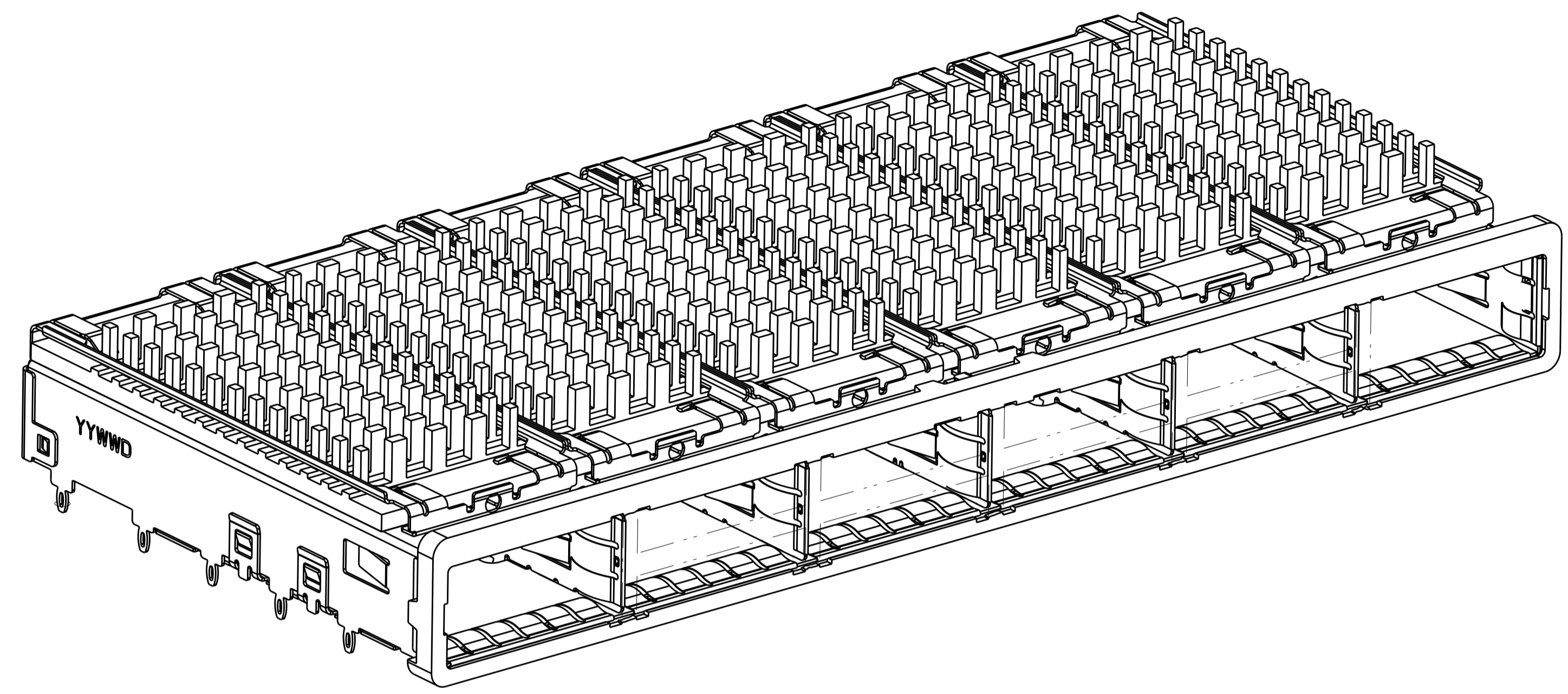


DETAIL S
 SCALE 20:1

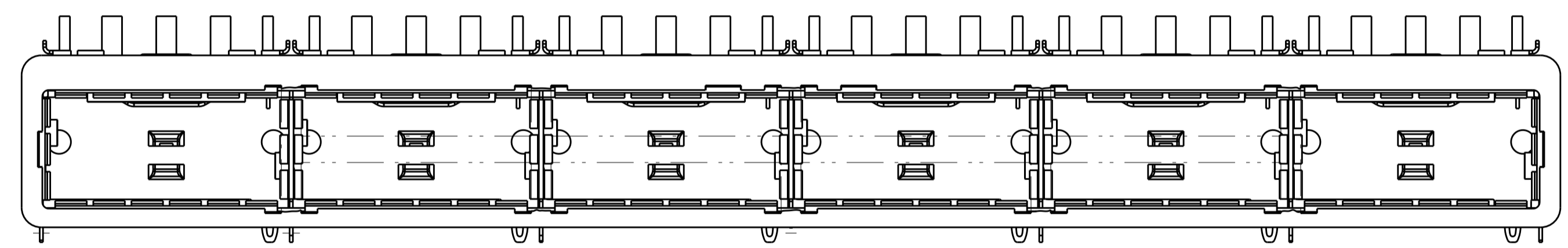
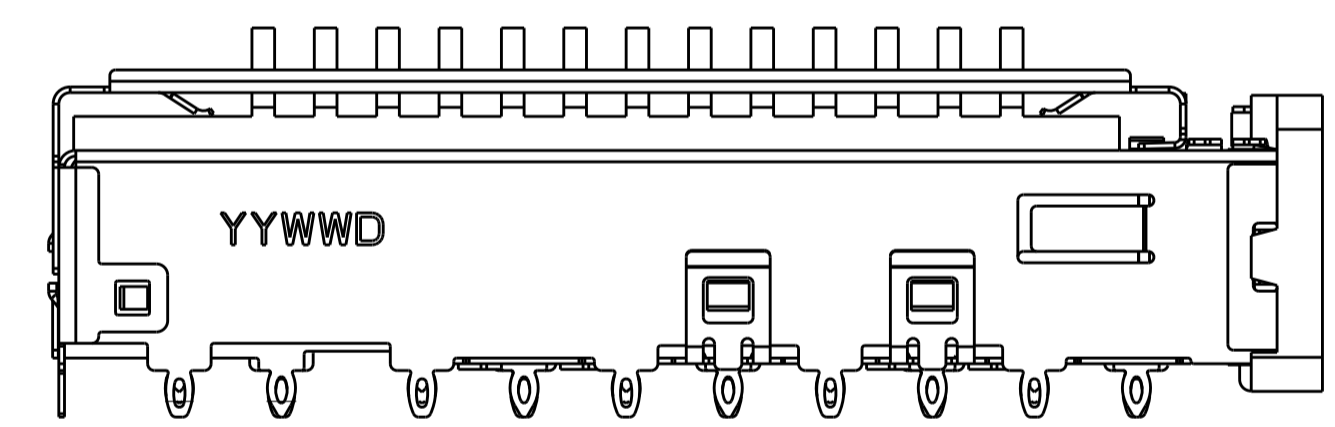
NO	2334626-2
YES	2334626-1
LIGHT PIPE OPTION	PART NUMBER

THIS DRAWING IS A CONTROLLED DOCUMENT.		OWN: JASON YANG 10APR2018	TE Connectivity	
		CHK: SEAN HAN 10APR2018		
DIMENSIONS:		TOLERANCES UNLESS OTHERWISE SPECIFIED:		NAME: 1X6 CAGE ASSEMBLY, BEHIND BEZEL, W/ HEAT SINKS, LIGHT PIPE
mm	0 PLC ±0.25	PRODUCT SPEC: 108-19428		SIZE: CAGE CODE DRAWING NO: A100779C=2334626
	1 PLC ±0.25	APPLICATION SPEC: 114-32023		RESTRICTED TO: -
	2 PLC ±0.20	WEIGHT: -		SCALE: 3:1 SHEET 1 OF 6 REV A
	3 PLC ±	CUSTOMER DRAWING		
	4 PLC ±			
	ANGLES ±			
	FINISH -			

LOC	DIST	REVISIONS			
P	LYR	DESCRIPTION	DATE	OWN	APVD
GP	00	- SEE SHEET 1	-	-	-



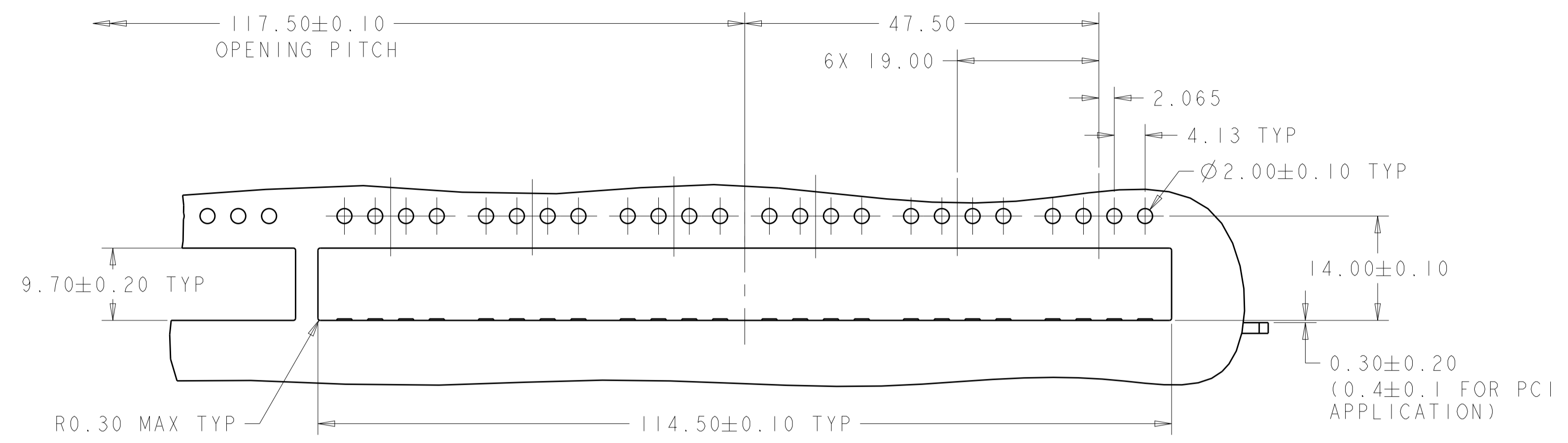
2334626-2 WITHOUT LIGHT PIPE
 IS SAME AS 2334626-1 EXCEPT WITHOUT LIGHT PIPE
 SCALE 3:1



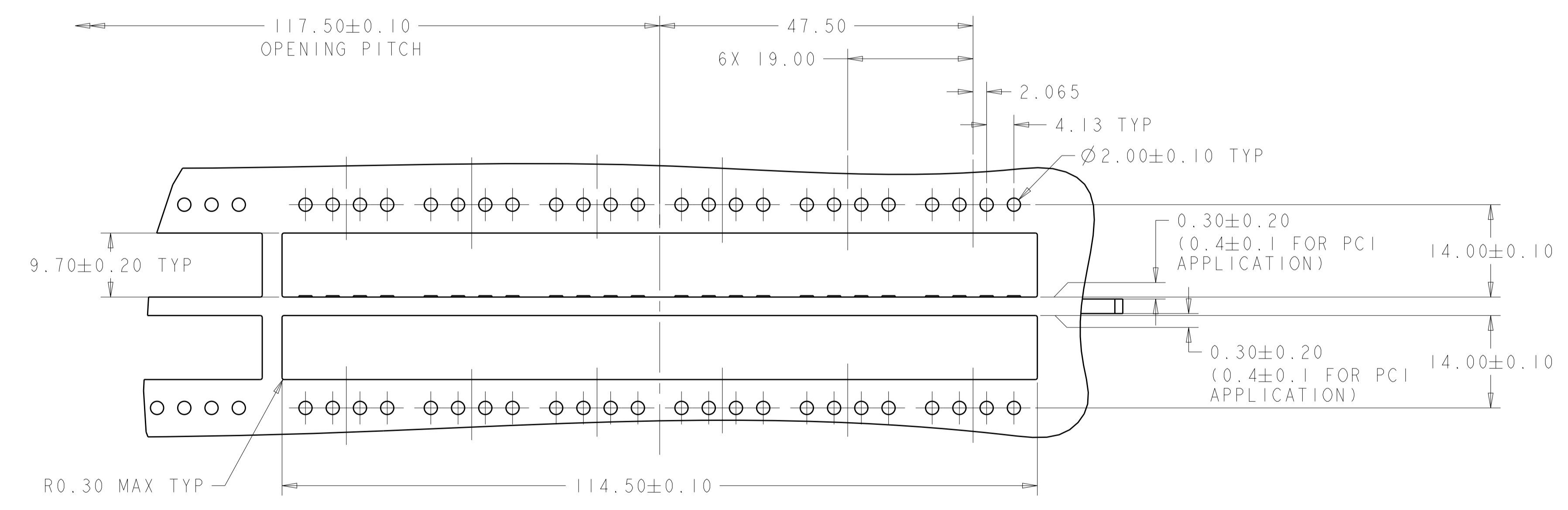
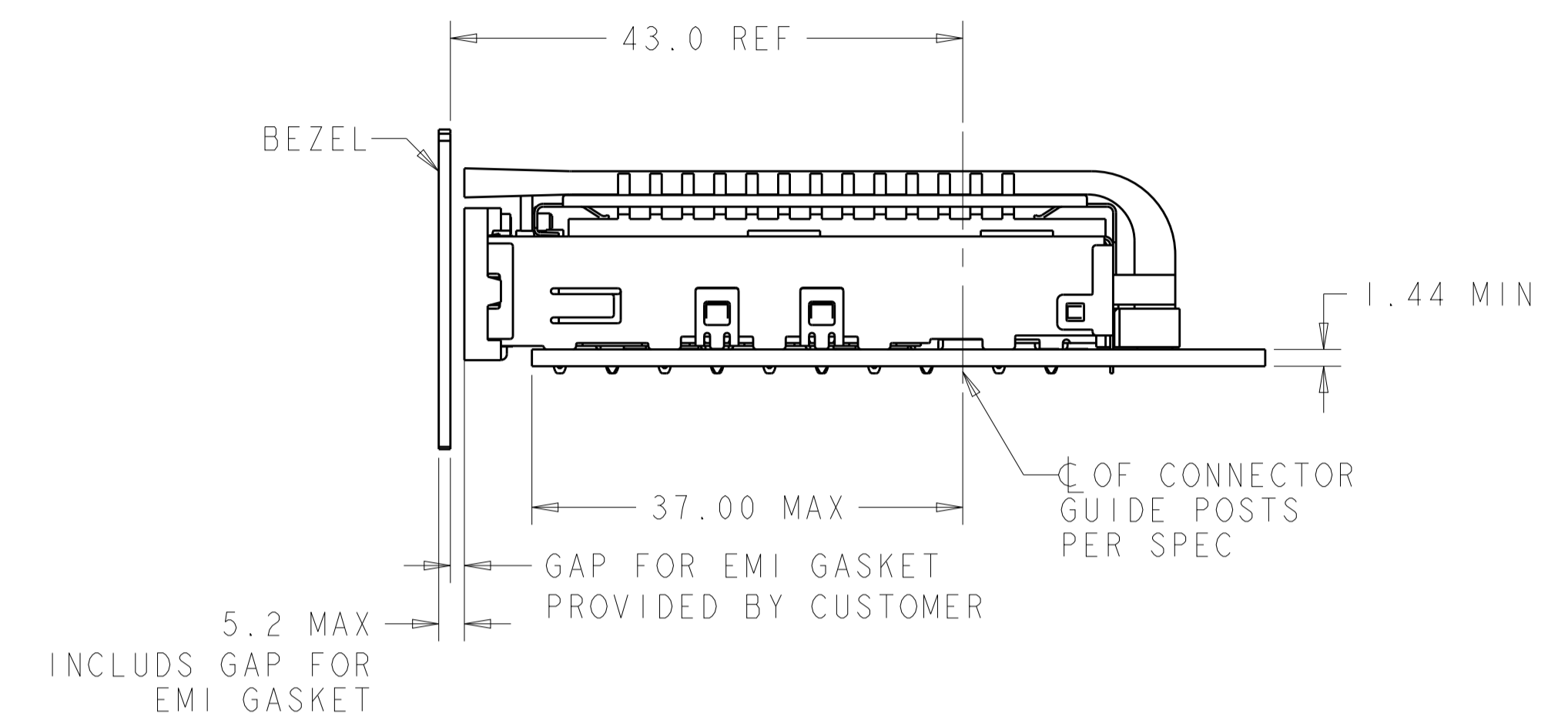
SCALE 3:1

THIS DRAWING IS A CONTROLLED DOCUMENT.		OWN: JASON YANG 10APR2018	TE Connectivity
		CHK: SEAN HAN 10APR2018	
DIMENSIONS:		APVD:	NAME:
mm	0 PLC ±0.25 1 PLC ±0.25 2 PLC ±0.20 3 PLC ± 4 PLC ± ANGLES ±	PRODUCT SPEC: 108-19428	1X6 CAGE ASSEMBLY, BEHIND BEZEL, W/ HEAT SINKS, LIGHT PIPE
MATERIAL:		APPLICATION SPEC: 114-32023	SIZE: A1
		WEIGHT:	CAGE CODE: C=2334626
		CUSTOMER DRAWING	RESTRICTED TO:
		SCALE: 3:1	SHEET 2 OF 6
			REV: A

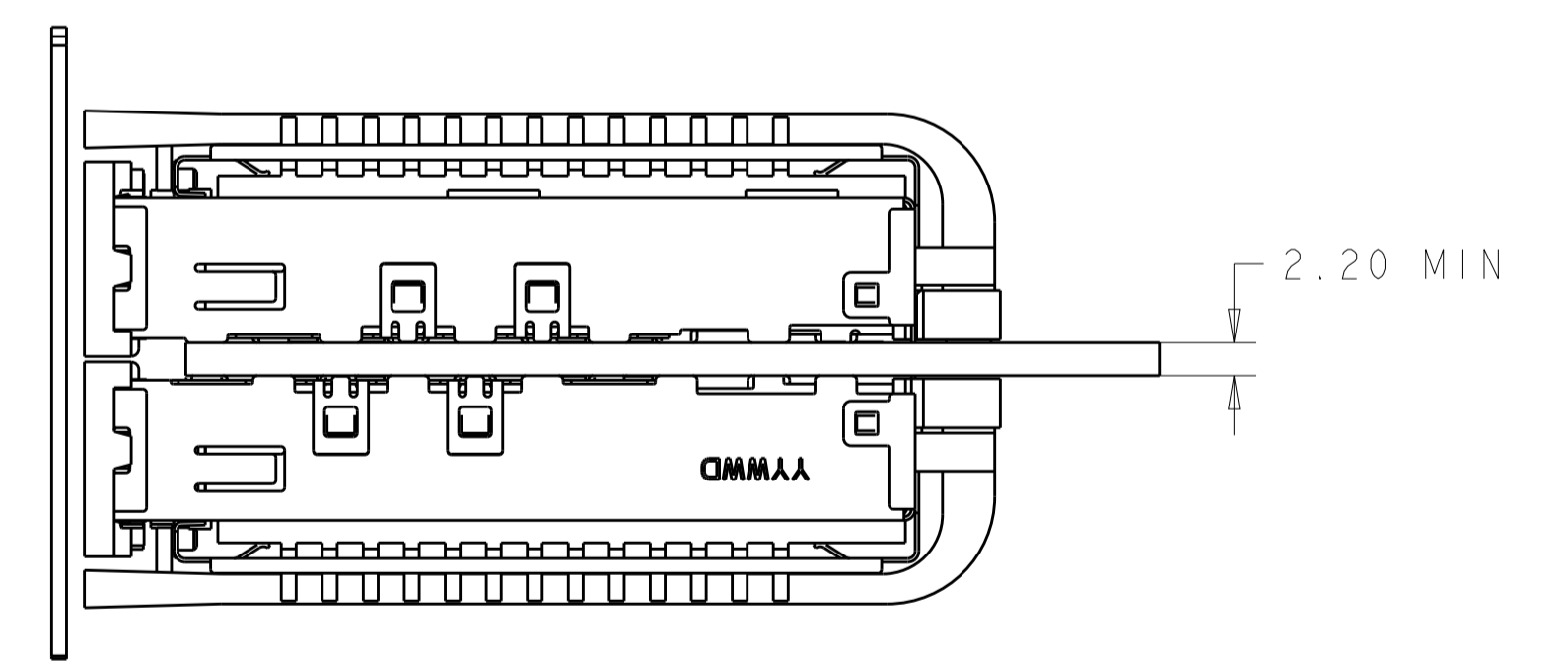
LOC	DIST	REVISIONS			
GP	00	REV	DATE	BY	APPD
-	-	SEE SHEET 1	-	-	-



ONE SIDED CONFIGURATION
 SCALE 2:1

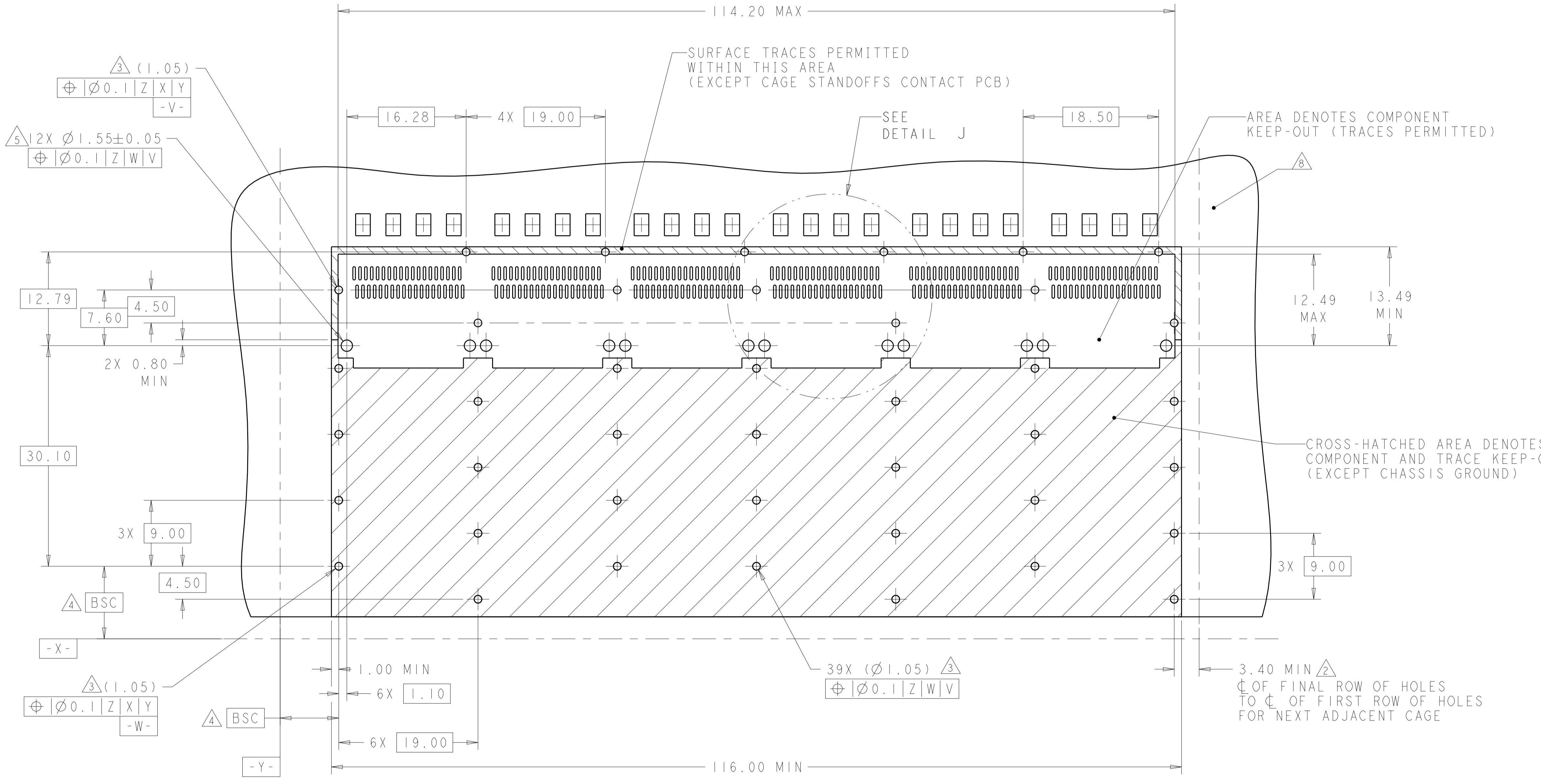


BELLY TO BELLY CONFIGURATION
 SIMILAR WITH ONE SIDED EXCEPT WHERE NOTED
 SCALE 2:1



THIS DRAWING IS A CONTROLLED DOCUMENT.		OWN: JASON YANG 10APR2018	TE Connectivity
		CHK: SEAN HAN 10APR2018	
DIMENSIONS:		NAME: 1X6 CAGE ASSEMBLY, BEHIND BEZEL, W/ HEAT SINKS, LIGHT PIPE	
TOLERANCES UNLESS OTHERWISE SPECIFIED:		PRODUCT SPEC: 108-19428	
0 PLC ±0.25		APPLICATION SPEC: 114-32023	
1 PLC ±0.25		SIZE: A100779C=2334626	
2 PLC ±0.20		RESTRICTED TO: -	
3 PLC ±		SCALE: 3:1 SHEET 3 OF 6 REV A	
4 PLC ±			
ANGLES ±			
FINISH ±			
MATERIAL: -		CUSTOMER DRAWING	

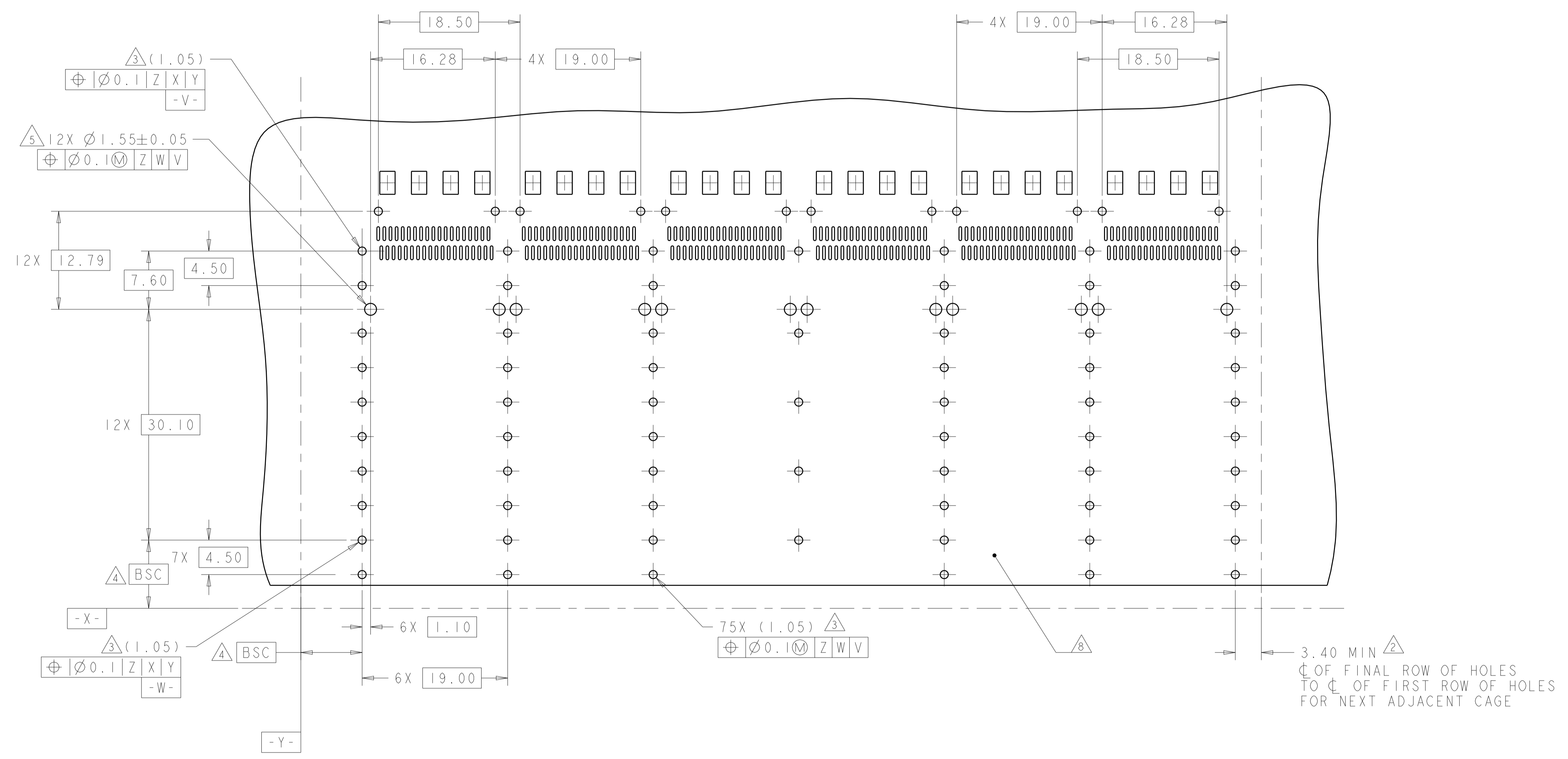
LOC	DIST	REV	DATE	BY	APPD
GP	00				
REVISIONS					



RECOMMENDED PC BOARD LAYOUT
 SINGLE SIDE MOUNT CONFIGURATION
 TOLERANCE: ±0.05
 SCALE 3:1

THIS DRAWING IS A CONTROLLED DOCUMENT.		DWN: JASON YANG 10APR2018 CHK: SEAN HAN 10APR2018 APVD:	TE Connectivity
DIMENSIONS: mm 	TOLERANCES UNLESS OTHERWISE SPECIFIED: 0 PLC ±0.25 1 PLC ±0.25 2 PLC ±0.20 3 PLC ± 4 PLC ± ANGLES ± FINISH	PRODUCT SPEC: 108-19428 APPLICATION SPEC: 114-32023 WEIGHT:	
MATERIAL:		CUSTOMER DRAWING	SCALE: 4:1 SHEET: 4 OF 6 REV: A

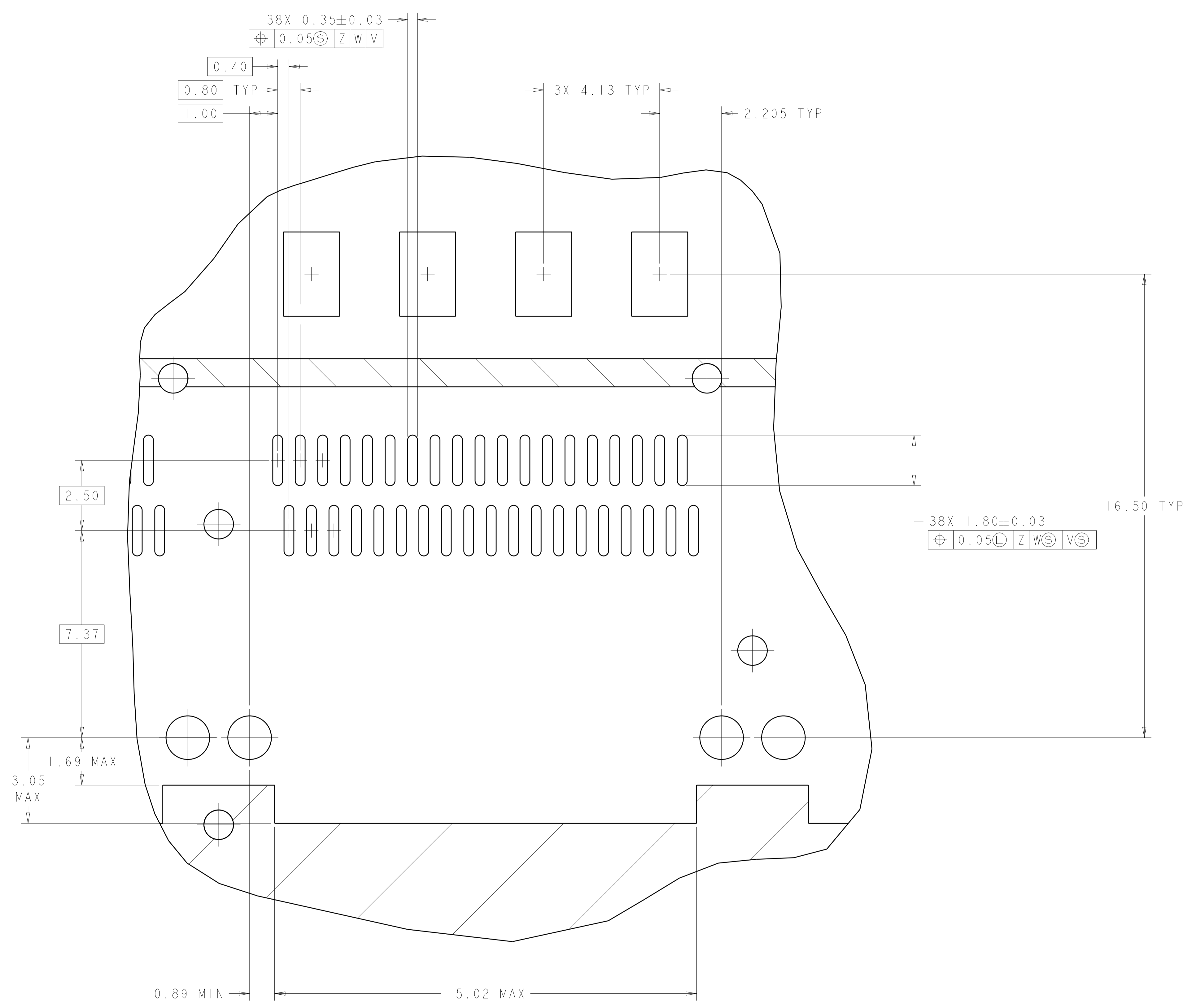
LOC	DIST	REVISIONS			
P	LTN	DESCRIPTION	DATE	DWN	APVD
GP	00	SEE SHEET 1			



RECOMMENDED PC BOARD LAYOUT
 BELLY TO BELLY CONFIGURATION
 UNSPECIFIED DIMENSIONS ARE SAME AS SINGLE SIDE LAYOUT
 TOLERANCE: ±0.05
 SCALE: 3:1

THIS DRAWING IS A CONTROLLED DOCUMENT.		DWN: JASON YANG 10APR2018	TE Connectivity
DIMENSIONS: mm		CHK: SEAN HAN 10APR2018	
TOLERANCES UNLESS OTHERWISE SPECIFIED:		APVD:	NAME: 1X6 CAGE ASSEMBLY, BEHIND BEZEL, W/ HEAT SINKS, LIGHT PIPE
0 PLC ±0.25	1 PLC ±0.25	PRODUCT SPEC: 108-19428	SIZE: A1
2 PLC ±0.20	3 PLC ±0.20	APPLICATION SPEC: 114-32023	CAGE CODE: 2334626
4 PLC ±0.20	5 PLC ±0.20	WEIGHT: -	RESTRICTED TO: -
ANGLES ±0.1	FINISH: -	CUSTOMER DRAWING	SCALE: 4:1 SHEET 5 OF 6 REV A

LOC	DIST	REVISIONS			
GP	00	REV	DATE	BY	APPD
-	-	SEE SHEET 1	-	-	-



DETAIL J
 6 PLACES
 SCALE 12:1

THIS DRAWING IS A CONTROLLED DOCUMENT.		DWN: JASON YANG 10APR2018 CHK: SEAN HAN 10APR2018 APVD:	TE Connectivity
DIMENSIONS: mm TOLERANCES UNLESS OTHERWISE SPECIFIED: 0 PLC ±0.25 1 PLC ±0.25 2 PLC ±0.20 3 PLC ± 4 PLC ± ANGLES FINISH		NAME: 1X6 CAGE ASSEMBLY, BEHIND BEZEL, W/ HEAT SINKS, LIGHT PIPE PRODUCT SPEC: 108-19428 APPLICATION SPEC: 114-32023 WEIGHT:	
MATERIAL: -		SIZE: A100779 CAGE CODE: C=2334626 DRAWING NO:	RESTRICTED TO: - SCALE: 3:1 SHEET 6 OF 6 REV A