

THIS DRAWING IS UNPUBLISHED.

RELEASED FOR PUBLICATION

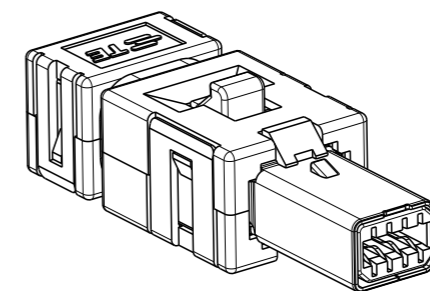
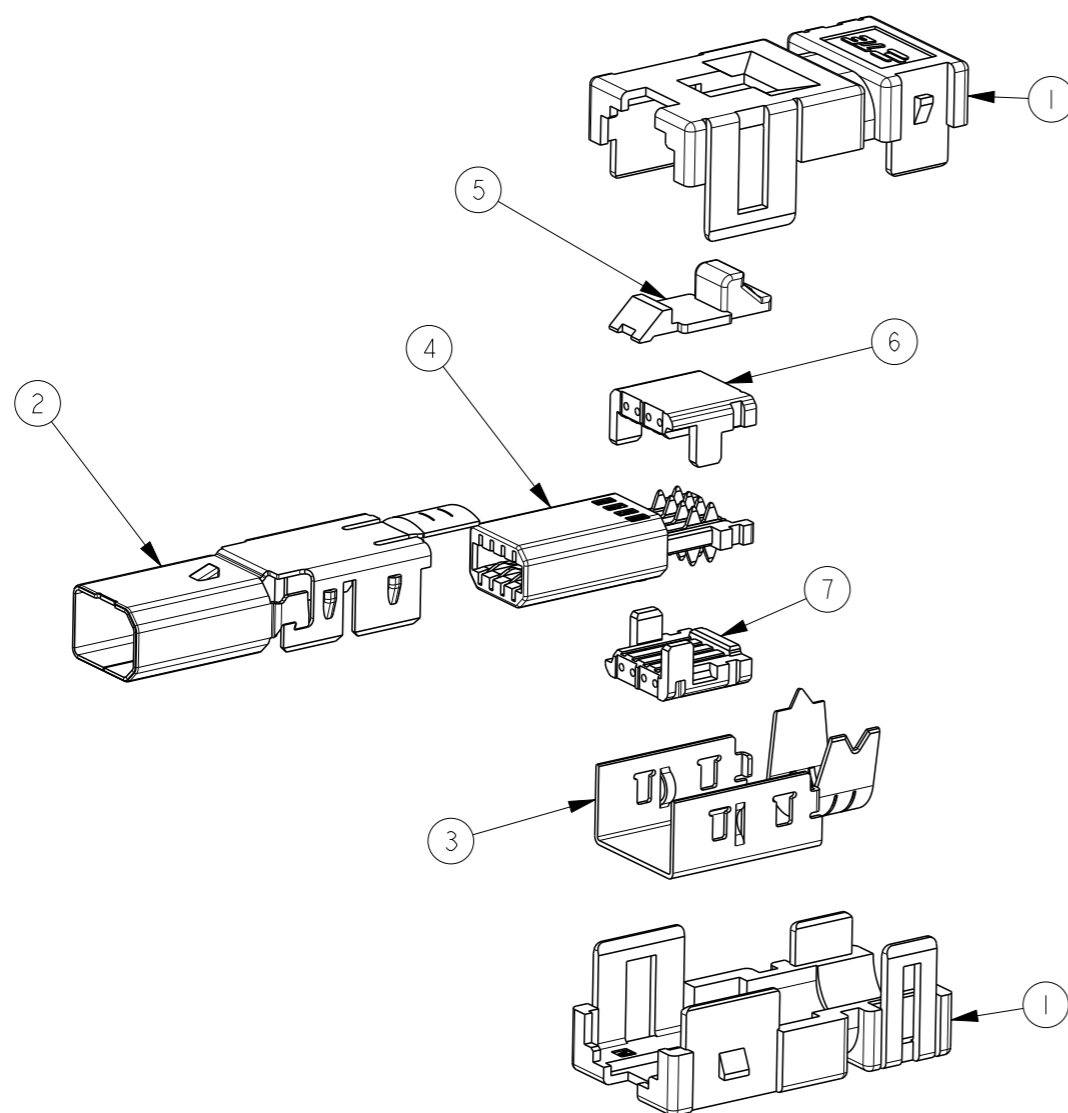
20

© COPYRIGHT 20 BY -

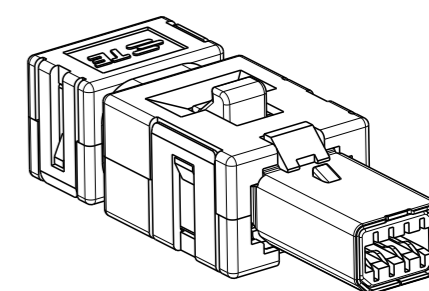
ALL RIGHTS RESERVED.

REVISIONS

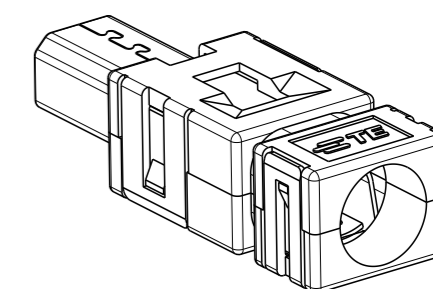
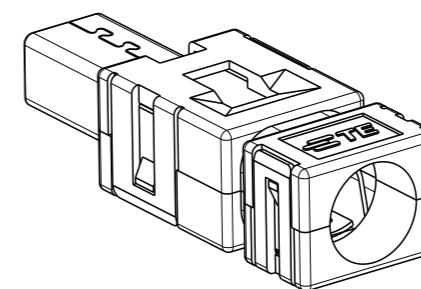
P	LTR	DESCRIPTION	DATE	DWN	APVD
	A	INITIAL RELEASE	04FEB2019	SR	PP
	AI	NAMING SYSTEM CHANGE	23APR2019	PP	PP



P/N 2335145-2  
(TYPE 1)




P/N 1-2335145-2  
(TYPE 2)



NOTES:

- 1. WEIGHT 4.38g
- 2. CADMIUM CONTENT: 5ppm UNDER (ONLY PLASTIC/RUBBER)
- 3. PACKAGE SINGLE PIECE BLISTER
- 4. FOR BULK KIT 100PCS (BAGS/BOX) SEE DRAWING 2294893.

1	1	CABLE HOUSING M	7
1	1	CABLE HOUSING M	6
1	1	LOCK HOUSING WITH WHITE ARROW	5
-	-	LOCK HOUSING W/O WHITE ARROW	
1	1	PLUG SUB ASSY	4
1	1	BOTTOM SHELL	3
1	-	PLUG TOP SHELL TYPE II	2
-	1	PLUG TOP SHELL TYPE I	
2	2	PLUG COVER HOUSING YELLOW	1
1	-2	-2	
		DESCRIPTION	ITEM
		PARTNUMBER	

THIS DRAWING IS A CONTROLLED DOCUMENT.		DWN 23-Apr-19 RANE SAMUEL	 TE Connectivity													
DIMENSIONS: mm		CHK 01-Feb-19 P. Poorter														
TOLERANCES UNLESS OTHERWISE SPECIFIED:		APVD 01-Feb-19 P. Poorter	NAME INDUSTRIAL MINI I/O PIERCING PLUG SINGLE PIECE BLISTER													
<table border="0"> <tr> <td>Ø PLC</td> <td>±0.1</td> </tr> <tr> <td>1 PLC</td> <td>±0.5</td> </tr> <tr> <td>2 PLC</td> <td>±0.13</td> </tr> <tr> <td>3 PLC</td> <td>±0.013</td> </tr> <tr> <td>4 PLC</td> <td>±0.0001</td> </tr> <tr> <td>ANGLES</td> <td>±1</td> </tr> </table>		Ø PLC	±0.1	1 PLC	±0.5	2 PLC	±0.13	3 PLC	±0.013	4 PLC	±0.0001	ANGLES	±1	PRODUCT SPEC 108-78955	SIZE A300779	
Ø PLC	±0.1															
1 PLC	±0.5															
2 PLC	±0.13															
3 PLC	±0.013															
4 PLC	±0.0001															
ANGLES	±1															
MATERIAL		APPLICATION SPEC 114-5506	DRAWING NO C-2335145													
FINISH		WEIGHT -	RESTRICTED TO													
		CUSTOMER DRAWING	SCALE 2:1	SHEET 1 OF 1												
			REV AI													