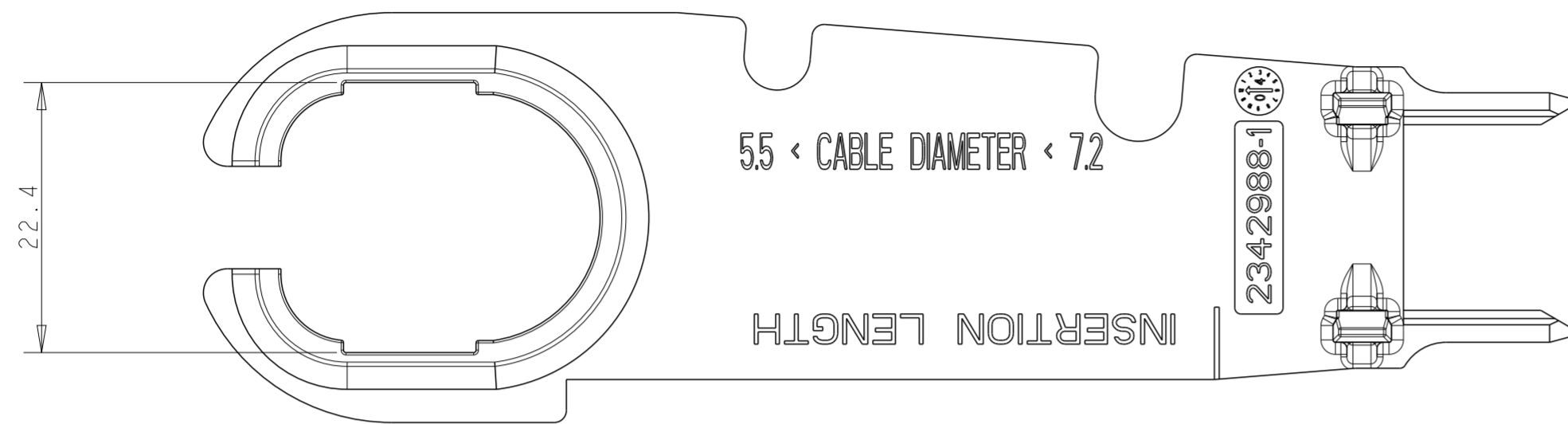
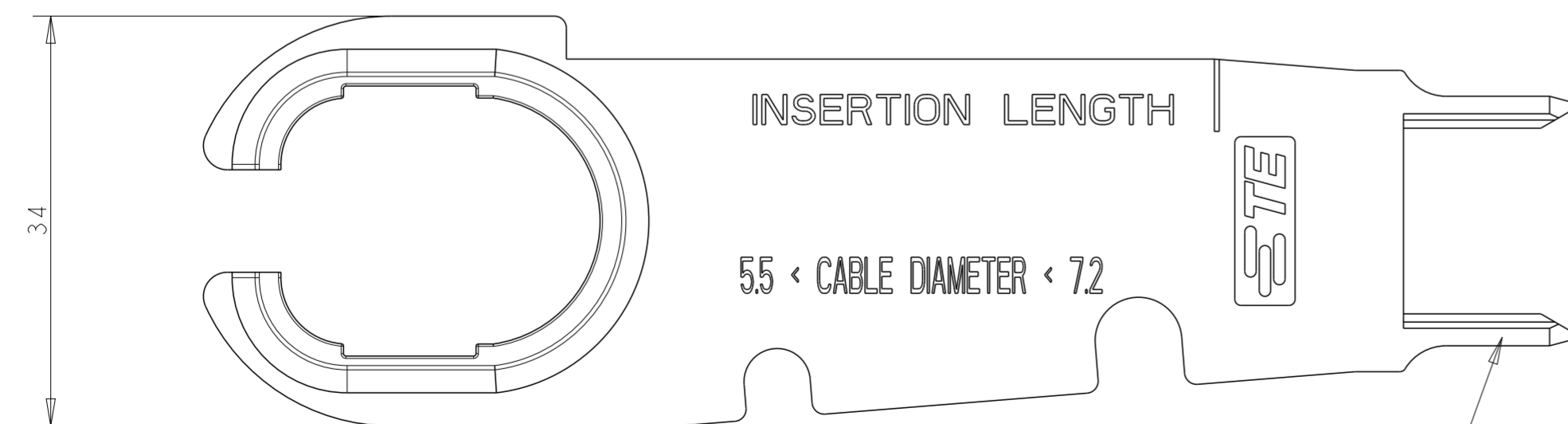
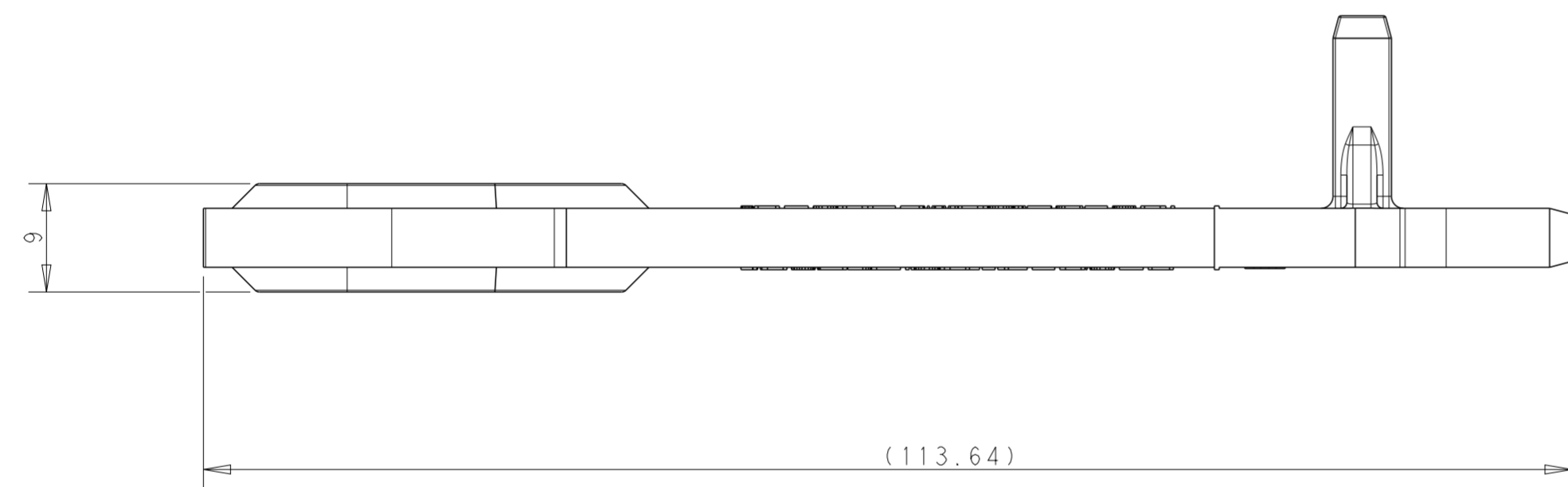
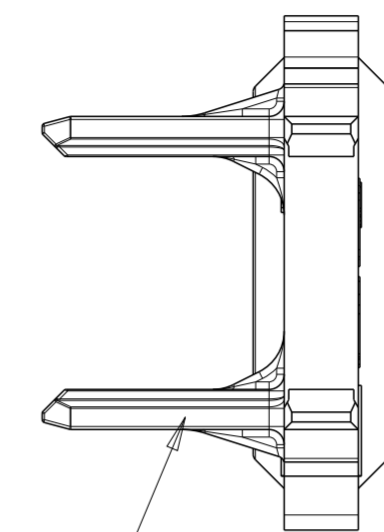


THIS DRAWING IS UNPUBLISHED. RELEASED FOR PUBLICATION  
 © COPYRIGHT copyright.d8ye- ALL RIGHTS RESERVED.

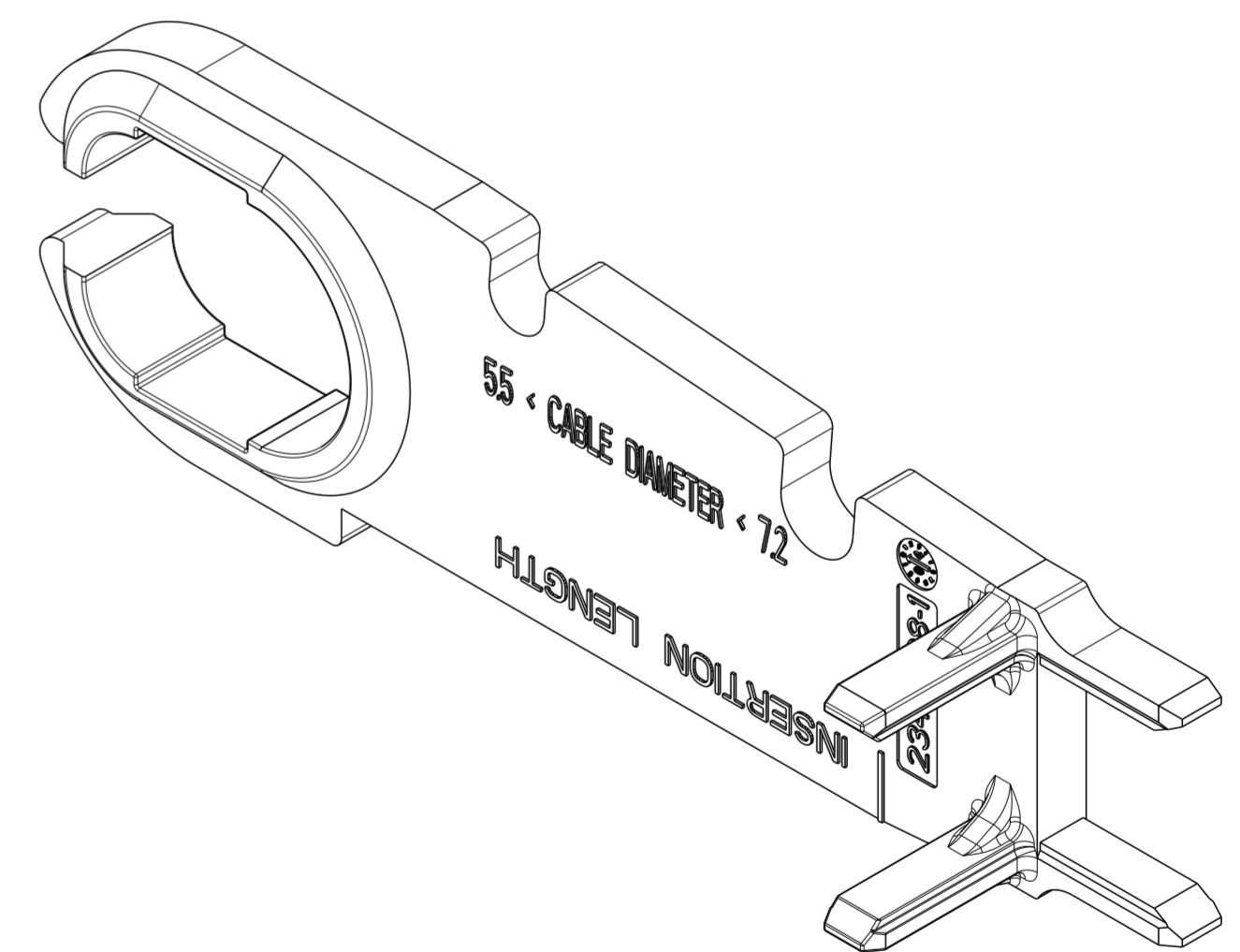
REVISIONS				
P	LTR	DESCRIPTION	DATE	APVD
1		NEW DRAWING	06062019	HM HM
2		Title block redrawn	19JUN2019	HM HM



FOR DISCONNECT PV4-PM CONNECTOR



FOR DISCONNECT PV4-S CONNECTOR



MATERIAL: PA6 GF30  
 COLOUR: ORANGE  
 NET WEIGHT: XXXg

**PRELIMINARY**

1	DELATCH GAUGE TOOL	2342988-1
REV	DESCRIPTION	PART NO

THIS DRAWING IS A CONTROLLED DOCUMENT.		DWN	06062019	<b>STE</b> TE Connectivity
		CHK	06062019	
DIMENSIONS:		APVD	-	NAME DELATCH GAUGE TOOL
TOLERANCES UNLESS OTHERWISE SPECIFIED:		PRODUCT SPEC	-	
mm	0 PLC ±0.5	APPLICATION SPEC	-	SIZE CAGE CODE DRAWING NO RESTRICTED TO
	1 PLC ±0.2	WEIGHT	-	
	2 PLC ±.	CUSTOMER DRAWING	-	A2100779 C-2342988
	3 PLC ±.	SCALE	2:1	SHEET 1 OF 1
	4 PLC ±.	REV	2	
	ANGLES ±.			
	FINISH -			