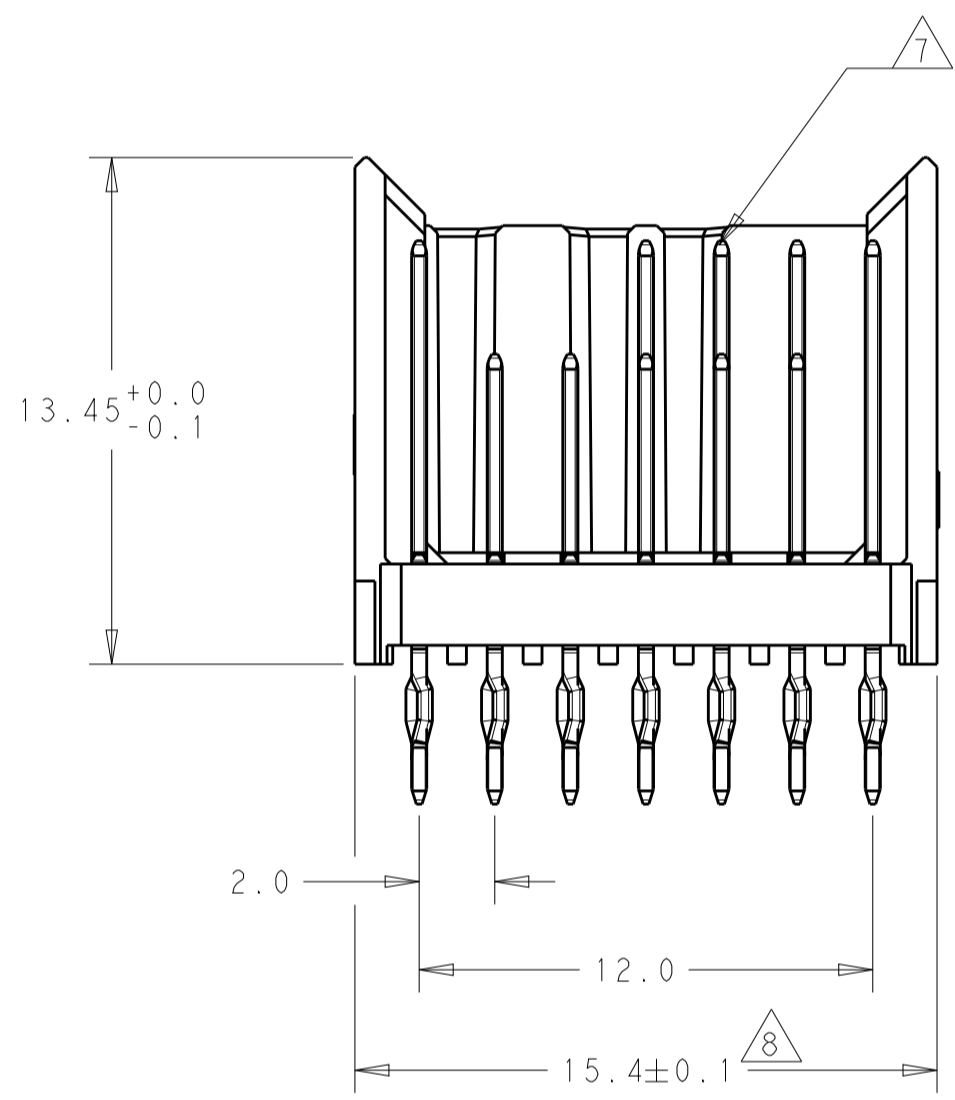
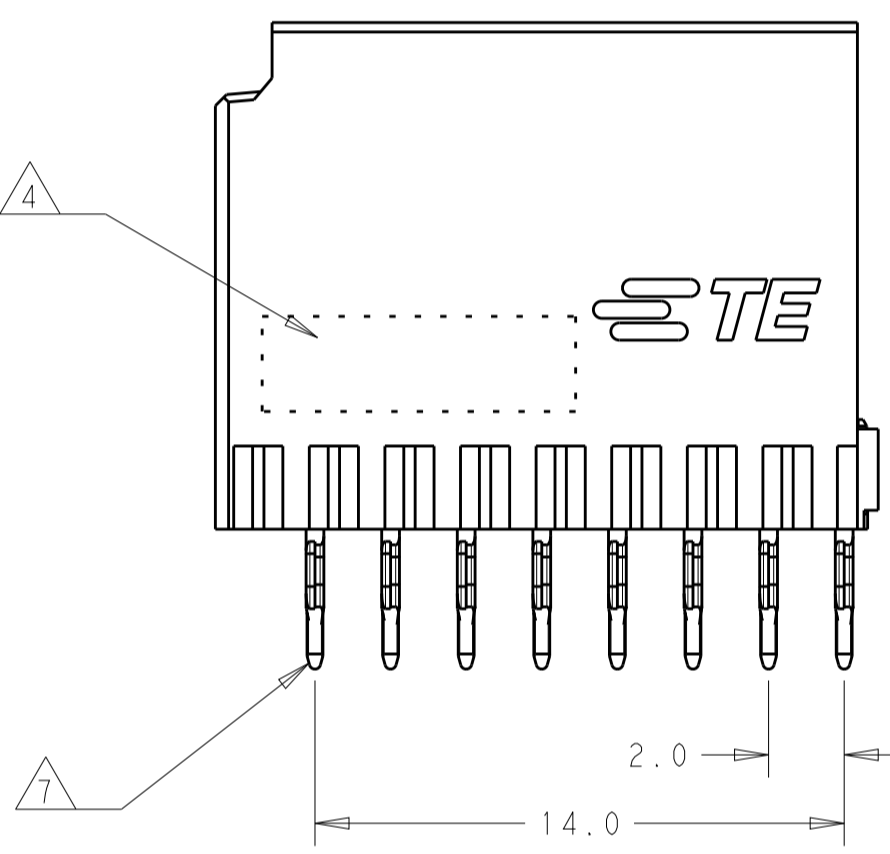
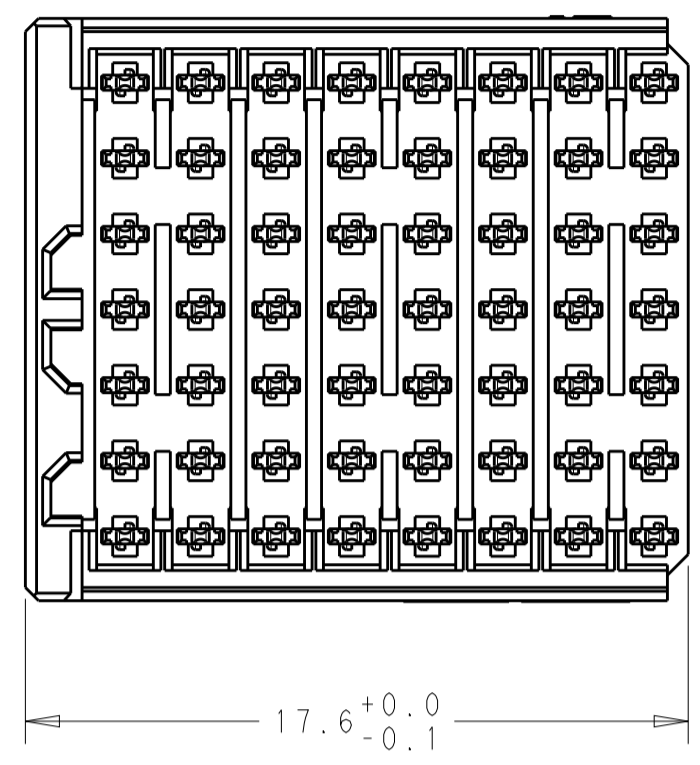
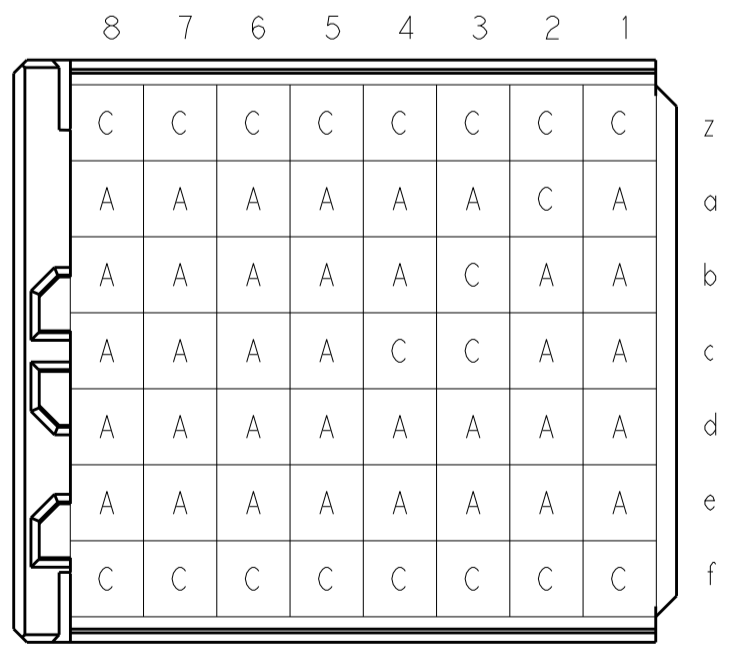


REVISIONS				
P.	LTN.	DESCRIPTION	DATE	APPROV.
1		INITIAL PROPOSAL	31OCT2018	FL HL

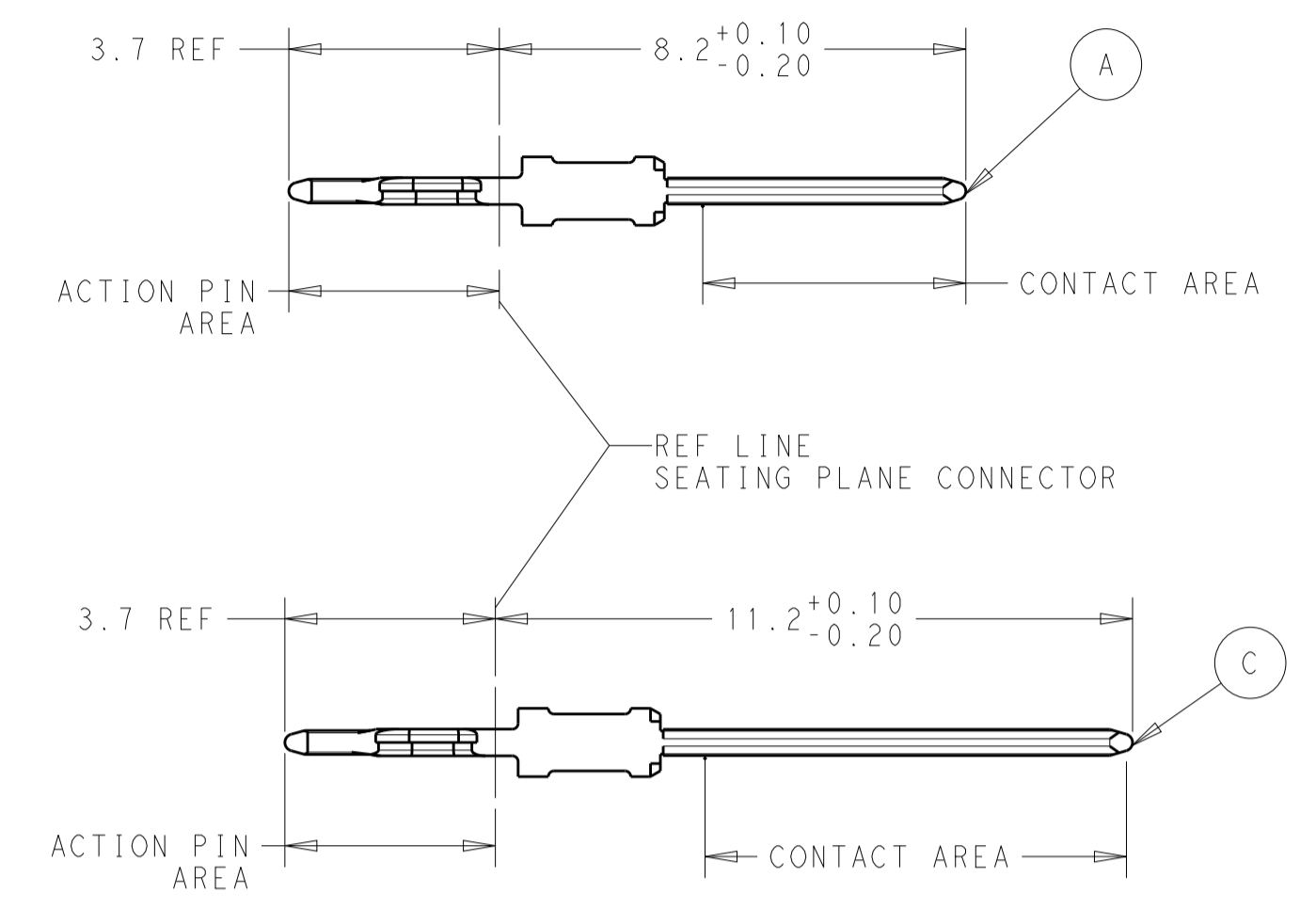
CONNECTOR ASSEMBLY EXAMPLARY LOADED



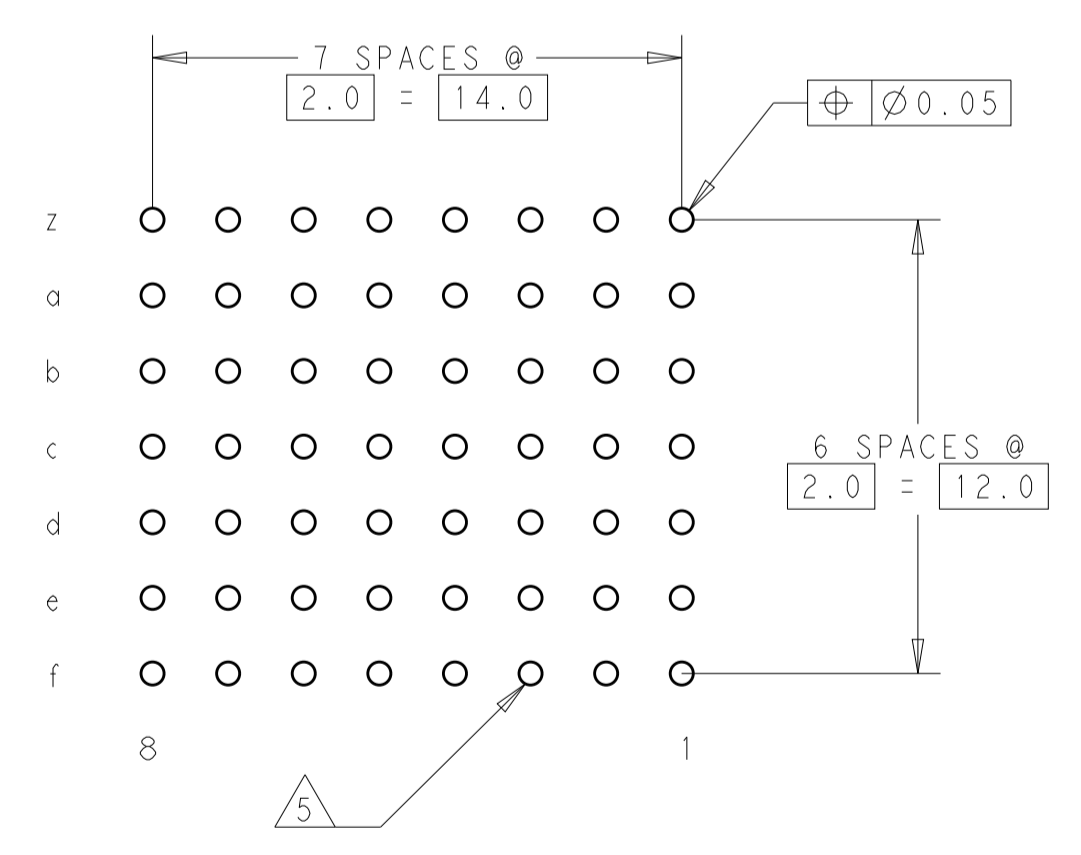
CONTACT LAYOUT



CONTACT DIMENSIONS



RECOMMENDED PCB-HOLE LAYOUT COMPONENT SIDE SHOWN



PLATED THRU HOLES PARAMETERS REFERENCE APPLICATION SPECIFICATION

- 1. MATERIAL:
CONTACT: PHOSPHOR BRONZE.
HOUSING: GLASS-FILLED POLYESTER.
- 2. GENERAL PLATING SPECIFICATION: UNDERPLATING (ENTIRE CONTACT): 1.27µm MIN NICKEL AND ACTION PIN: 0.5µm MIN TIN.
FOR PLATING OF MATING SURFACES SEE APPLICABLE SPECIFICATION REFERENCE FOR EACH DASH NUMBER.
- 3. CONFORMS TO ALL TESTING ACCORDING TO IEC 61076-4-101 PERFORMANCE LEVEL 2.
- 4. CONNECTOR MARKED WITH PART NUMBER AND DATE CODE. ADDITIONAL CHARACTERS OR MARKINGS, AS WELL AS THE LOCATION OF THE MARKINGS, MAY BE ADDED FOR TRACEABILITY BASED UPON MANUFACTURERS DISCRETION.
- 5. PLATED-THROUGH HOLES AT 2x2mm SQUARE GRID PATTERN DEFINED BY CONTACT LAYOUT.
- 6. FOR ACTUAL PIN LOADING SEE "CONTACT LAYOUT".
- 7. FOR ACTUAL PIN DIMENSIONS SEE "CONTACT DIMENSIONS".
- 8. TO BE MEASURED AT BOTTOM OF SHROUD.

DESIGN APPROVED THIS PRINT IS
PRELIMINARY
TO FIRST PIECE APPROVAL
CONTACT PRODUCT ENGINEERING
BEFORE USING THIS PRINT

2	3	2347091-1
FINISH		PART NUMBER

THIS DRAWING IS A CONTROLLED DOCUMENT.		DWN: FRED LIU 31OCT2018	TE Connectivity	
DIMENSIONS: mm		CHK: ALEX SHOAL 31OCT2018	NAME: MALE ASSEMBLY, Z-PACK 2mm HM, 8 COLUMN, TYPE 1	
TOLERANCES UNLESS OTHERWISE SPECIFIED:		APPR: HOPF LIU 31OCT2018	PRODUCT SPEC: 108-60123	
0 PLC ±		APPLICATION SPEC: 114-19029	SIZE: A1	
1 PLC ±0.2		WEIGHT: -	CAGE CODE: -	
2 PLC ±0.2		CUSTOMER DRAWING	DRAWING NO: 2347091	
3 PLC ±0.2		SCALE: 6:1	SHEET 1 OF 1	
4 PLC ±		RESTRICTED TO:	REV 1	
ANGLES ±				
FINISH: SEE TABLE				