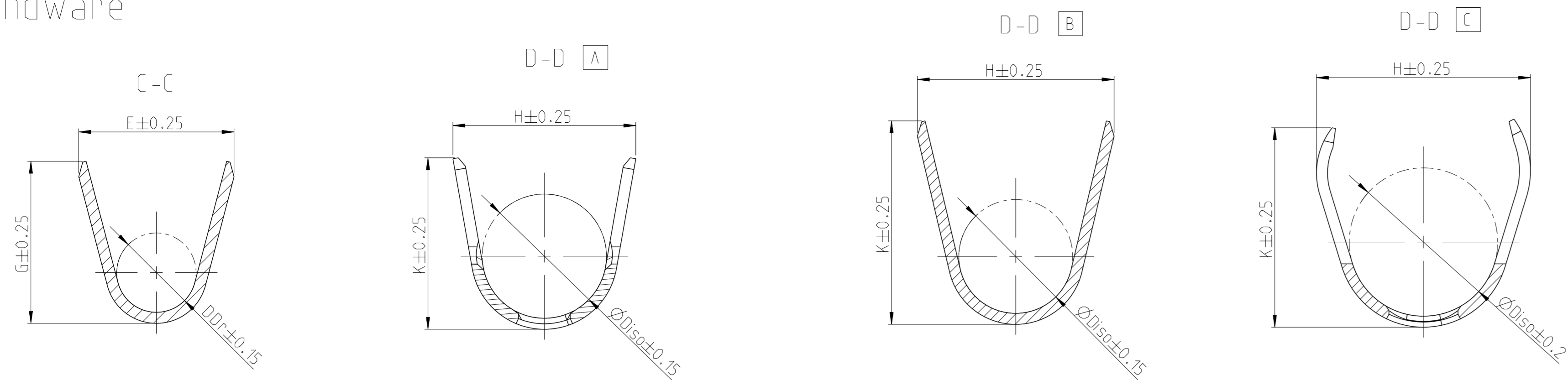


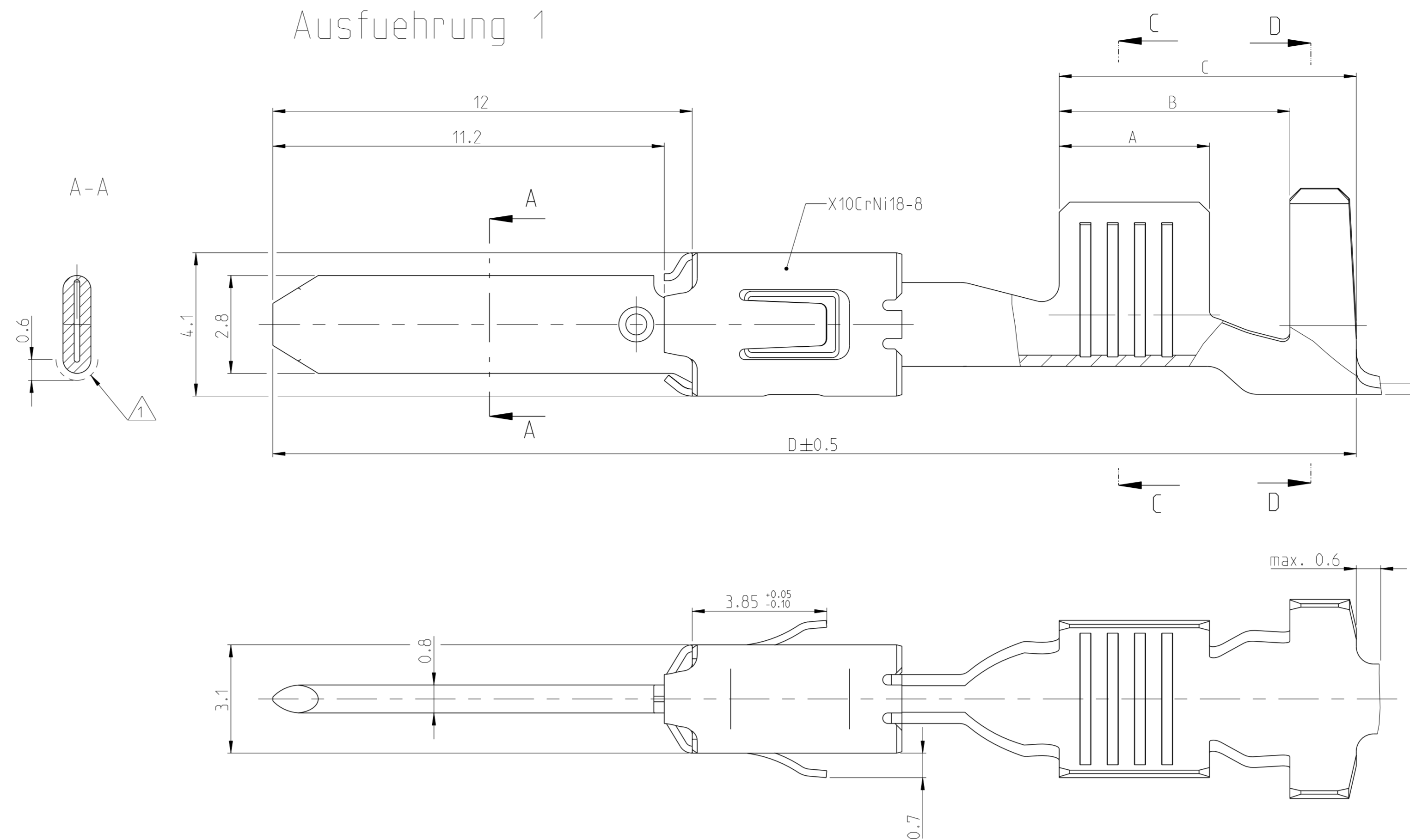
STRIP FORM Bandware



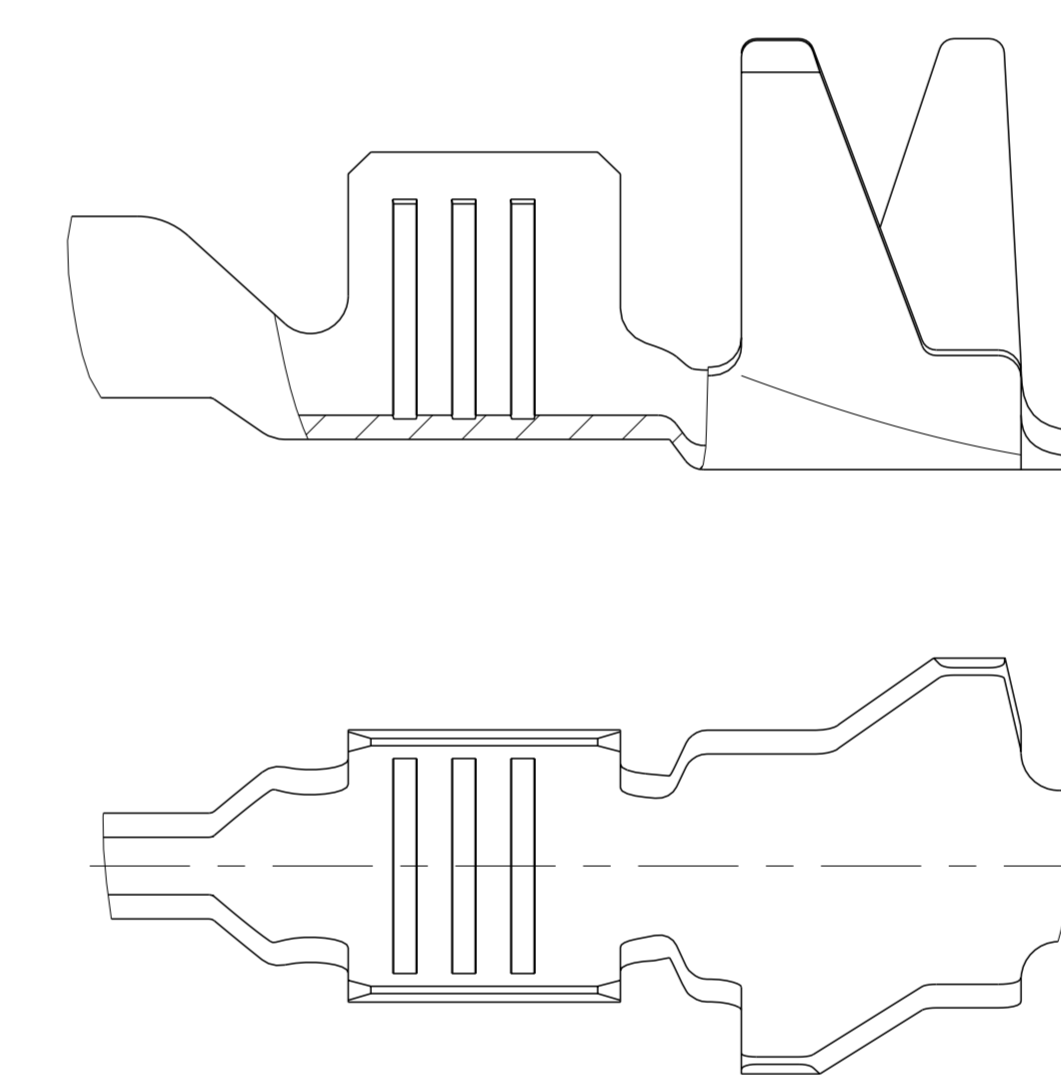
NOTES  
Bemerkungen

- 1 IN THIS AREA CRACK SHAPING AT THE SURFACE PERMISSIBLE  
In diesem Bereich Rissbildung in der Oberflaeche zulaessig
- 2 "Ag+" MARKING ON SILVER PLATED VERSIONS FOR INCREASED LIMIT TEMPERATURE  
"Ag+" Markierung auf versilberter Variante fuer erhoehrte Grenztemperatur
- 3 LENGTHENED TAB FOR APPLICATIONS WITH HVA 280 HOUSINGS  
Verlaengerter Flachstecker fuer Anwendungen mit HVA 280 Gehaeusen

DESIGN 1  
Ausfuehrung 1

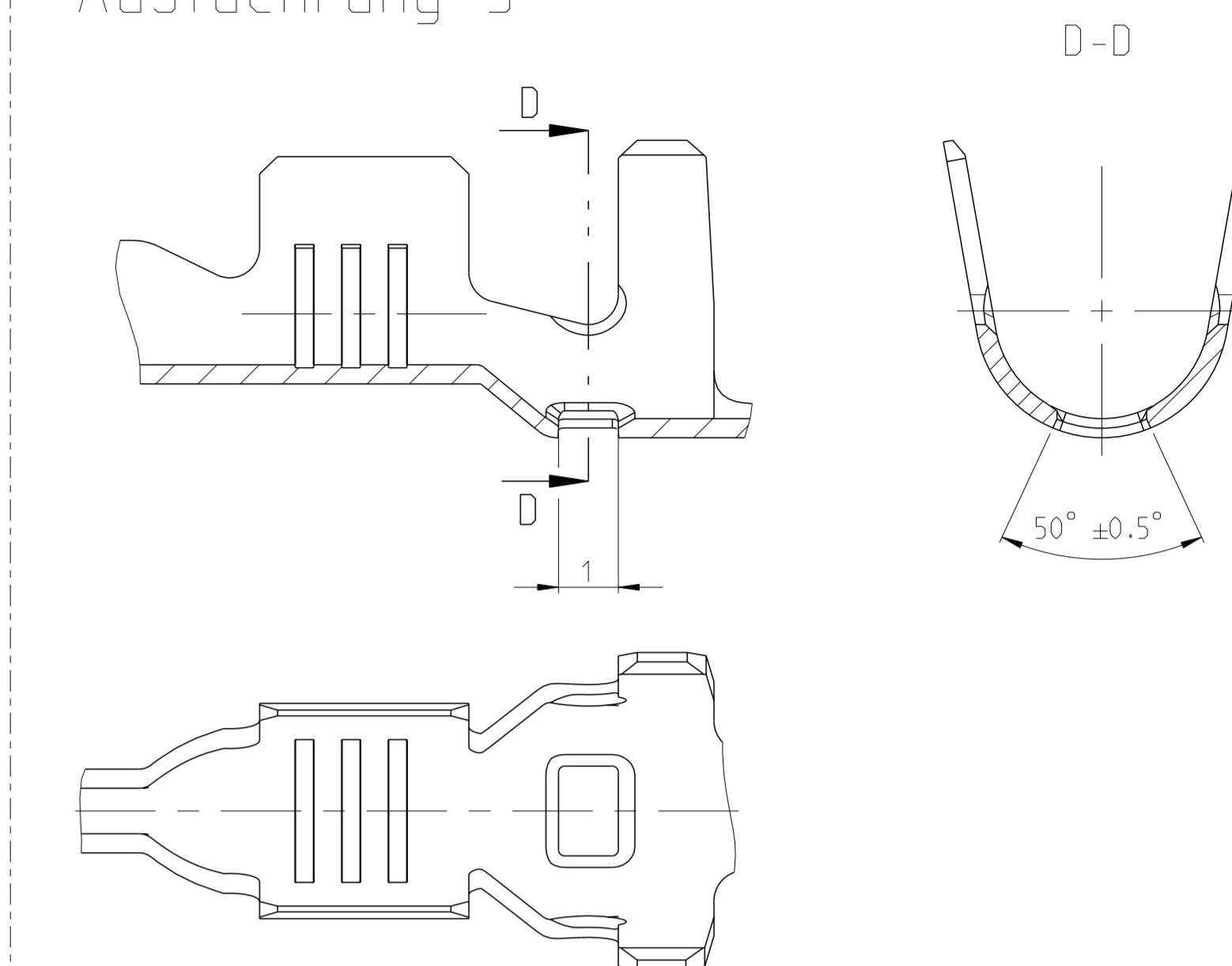


DESIGN 2  
Ausfuehrung 2

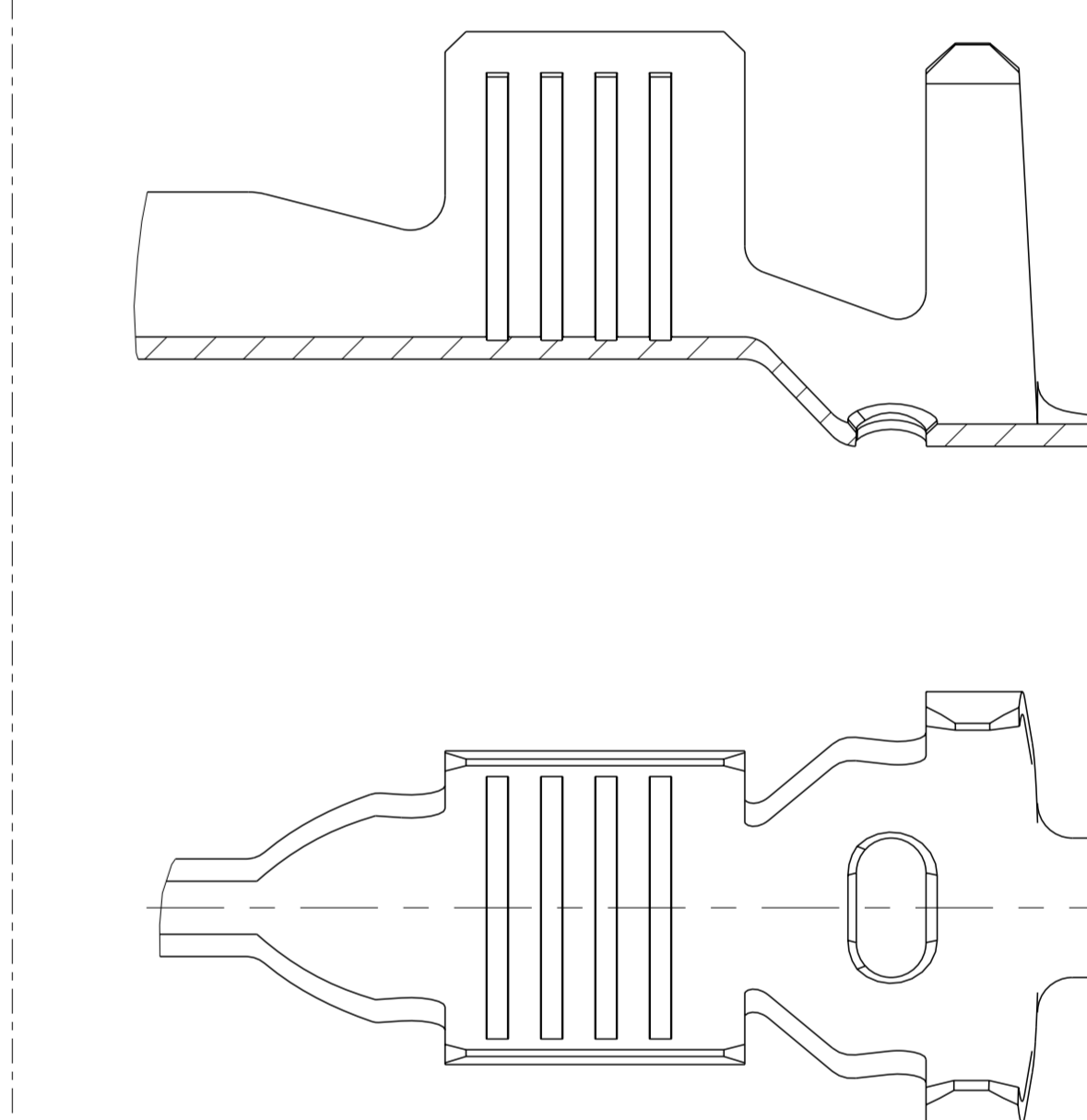


SINGLE WIRE SEAL  
Einzeldichtungssystem

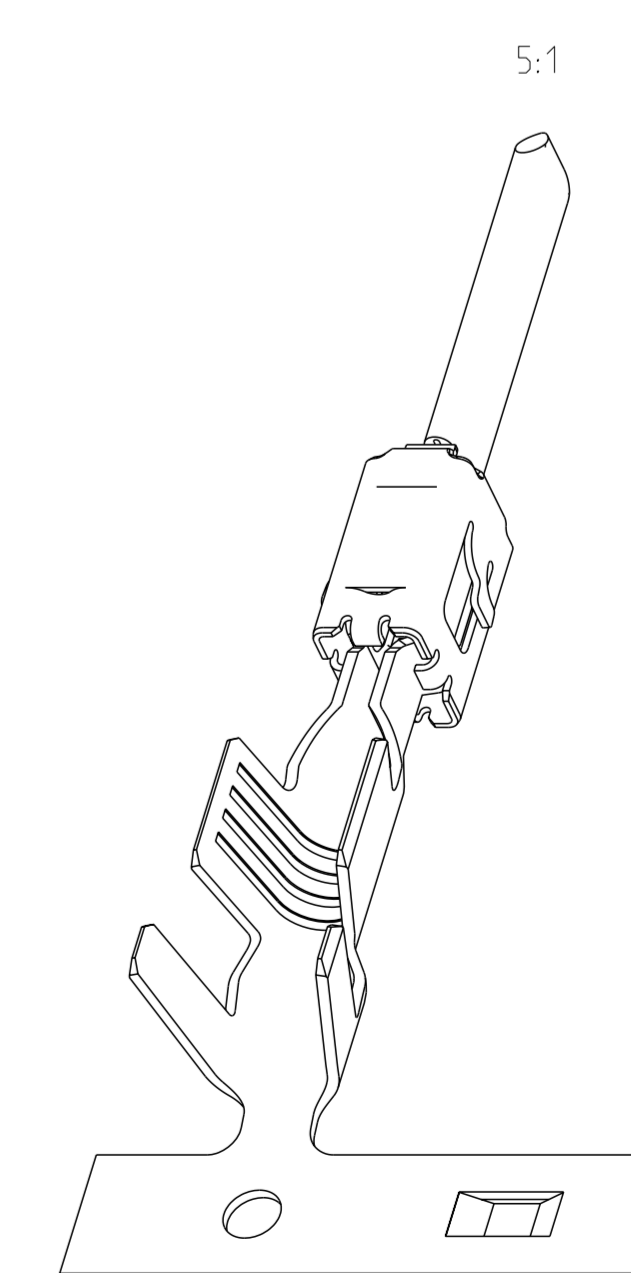
DESIGN 3  
Ausfuehrung 3



DESIGN 4  
Ausfuehrung 4



VERSION	TE ORDER-NO.	REV.	DESIGN	MATERIAL	SURFACE	INSULATION	WIRE RANGE	STRIP FORM	INSUL. CRIMP	A	B	C	D	TE ORDER-NO.
Ausfuehrung	STRIPFORM	Bandware	Ausfuehrung	Werkstoff	Oberflaeche im Kontaktbereich	Isolationsd	Drahtbereich	WIRE CRIMP Drahterimp	Isolationscrimp Bandware	CRIMP DIMENSIONS mm Crimpabmessung mm				SINGLE WIRE SEAL Einzeldichtungssystem (Cavity Diameter) (Kammerdurchmesser)
	2-2328752-4	A	4	CuFe	SILVER PLATED versilbert	max. 3.7	>2.5 - 4.0	E = 4.5 G = 4.7 D <sub>Dr</sub> = 2.3	H = 6.2 K = 6.0 D <sub>ISO</sub> = 4.3	4.3	6.9	8.5	31	828985 (Ø6,4)
	2-2328752-2	A			SILVER PLATED versilbert									
	2-2328745-4	A	3	CuFe	SILVER PLATED versilbert	max. 3.0	>1.0 - 2.5	E = 3.6 G = 3.8 D <sub>Dr</sub> = 1.7	H = 5.3 K = 5.0 D <sub>ISO</sub> = 3.6	3.5	6.0	7.6	29.3	828905 (Ø5,0)
	2-2328745-2	A			SILVER PLATED versilbert									
	2-2141600-4	A	1	CuFe	SILVER PLATED versilbert	2.7 - 3.7	>2.5 - 4.0	E = 4.5 G = 4.7 D <sub>Dr</sub> = 2.3	H = 5.7 K = 5.9 D <sub>ISO</sub> = 3.3	4.3	6.6	8.5	31	
	2-2141600-2	A			SILVER PLATED versilbert									
	2-2141598-4	A	2	CuFe	SILVER PLATED versilbert	2.4 - 3.7	>1.0 - 2.5	E = 3.6 G = 3.8 D <sub>Dr</sub> = 1.7	H = 5.5 K = 5.7 D <sub>ISO</sub> = 3.2	3.6	5.2	8.9	31.1	
	2-2141598-2	A			SILVER PLATED versilbert									



THIS DRAWING IS A CONTROLLED DOCUMENT. DATE: 01APR2019. DRAWN BY: Frank. CHECKED BY: Metz. APPROVED BY: Brummel. PRODUCT SPEC: 108-18063. APPLICATION SPEC: 114-18051. WEIGHT: -. CUSTOMER DRAWING. SCALE: 10:1. SHEET 1 OF 1. REV. A.

STE TE Connectivity. PRODUCT GROUP DRAWING FOR TAB 2.8x0.8mm. Flachstecker 2.8x0.8. SIZE: CASE CODE DRAWING NO: A0 00779. ©=2355029. RESTRICTED TO: -. REV. A.