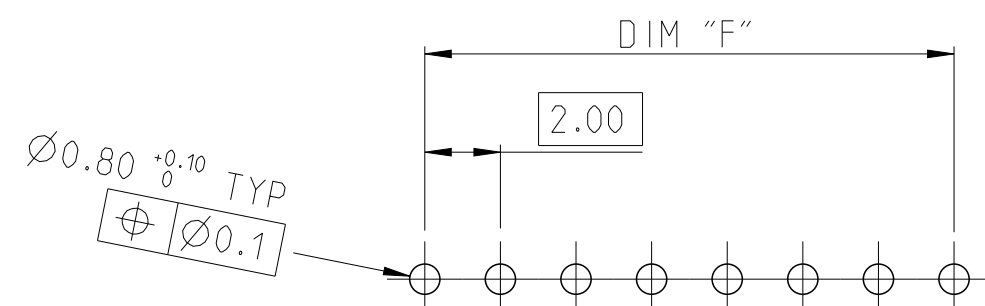
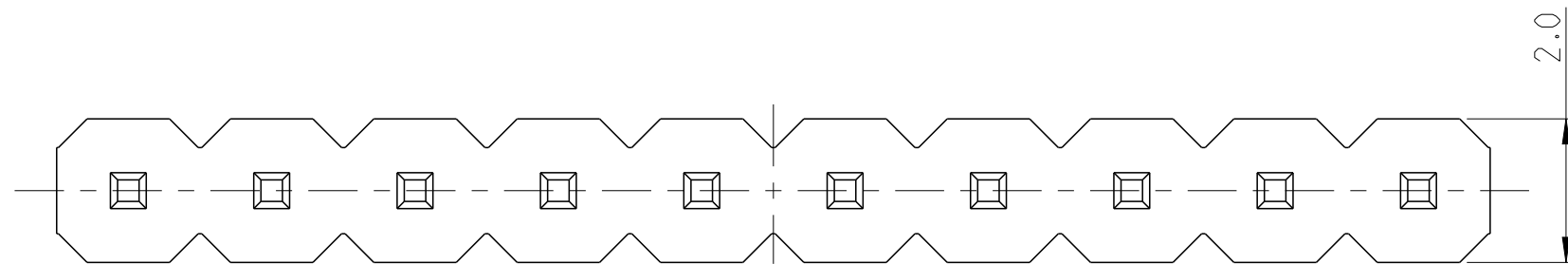
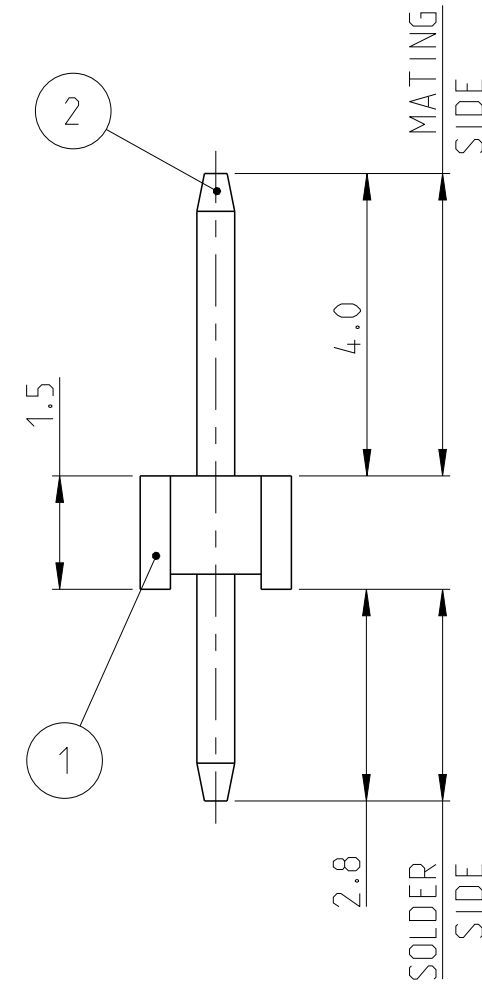
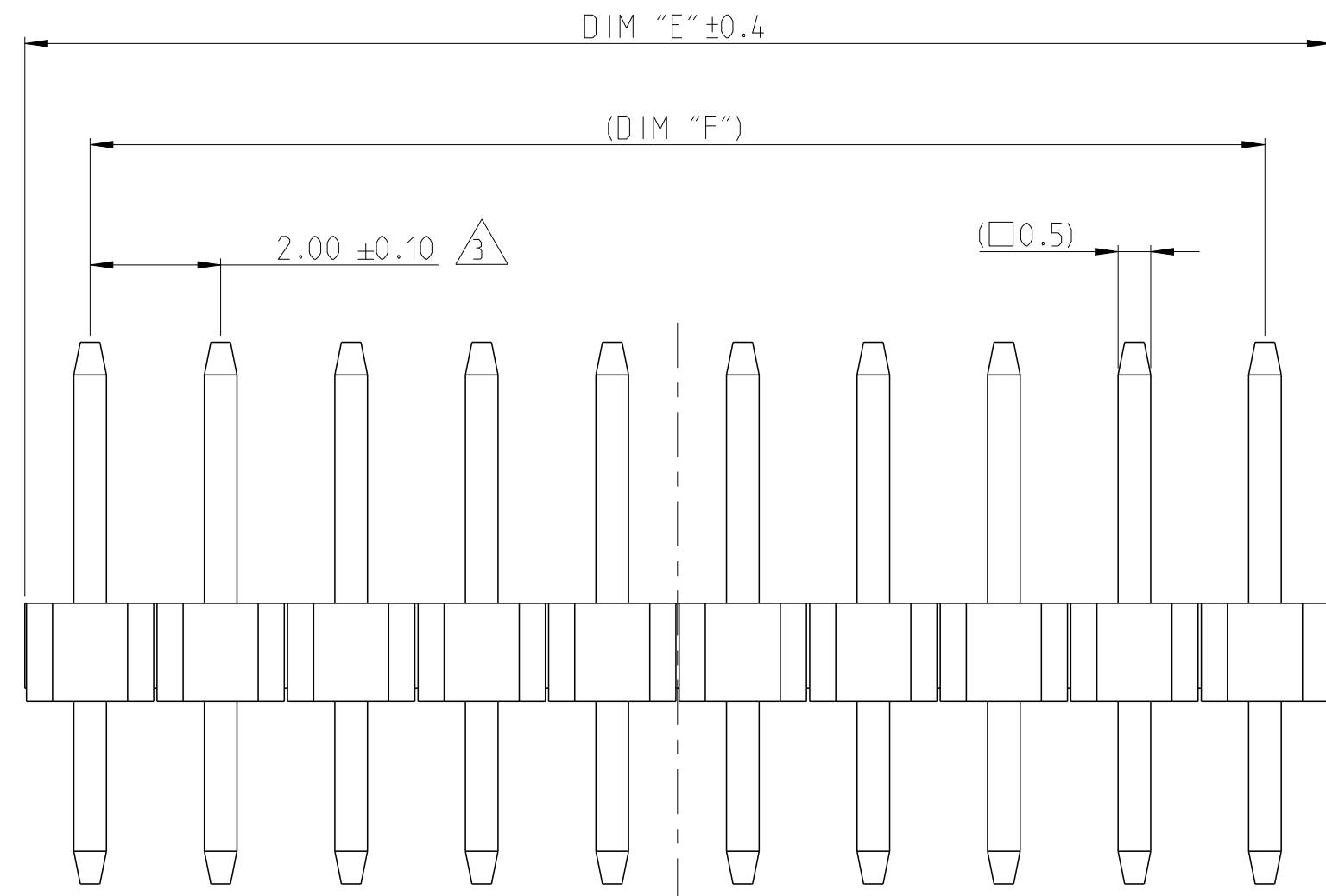
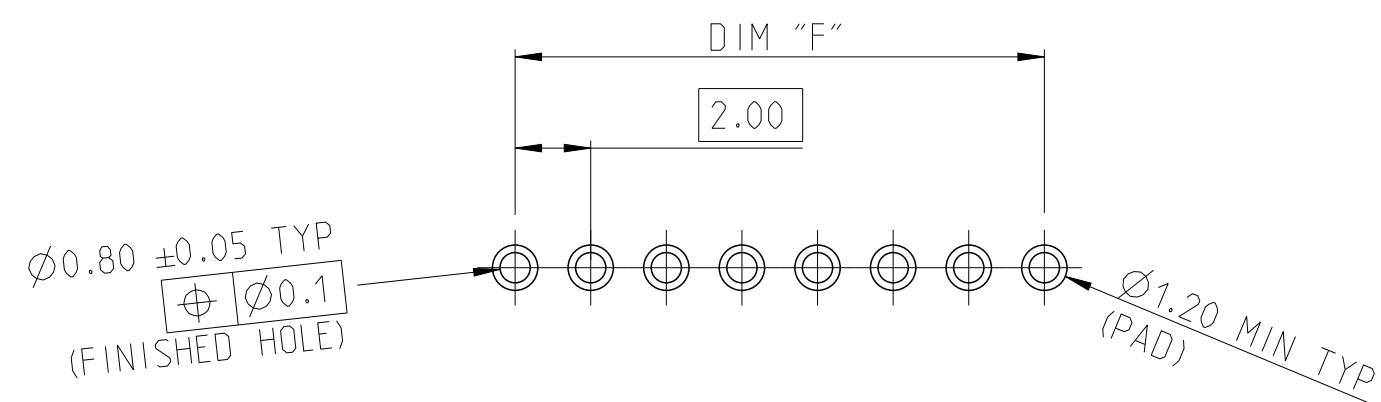


P	LTR	DESCRIPTION	DATE	DWN	APVD
A		RELEASE TO PRODUCTION	26AUG2019	AY	PS
A1		REMOVED TOLERANCE FROM DIM F	17DEC2019	AY	PS
A2		PARTS OBSOLESCENCE	21JUN2023	BGC	PS

- NOTES:
- MATERIAL
HOUSING : HIGH TEMPERATURE THERMOPLASTIC, UL94-V0; COLOR- BLACK
POST : COPPER ALLOY
FINISH :
MATING SIDE: MIN. 0.1µm GOLD OVER NICKEL UNDER PLATING
SOLDER SIDE: MIN. 2.0µm BRIGHT TIN OVER NICKEL UNDER PLATING
 - PACKAGING: TUBE.
 - TOLERANCE NOT CUMULATIVE.
 - CUTTING BURR MAX. 0.25 mm.

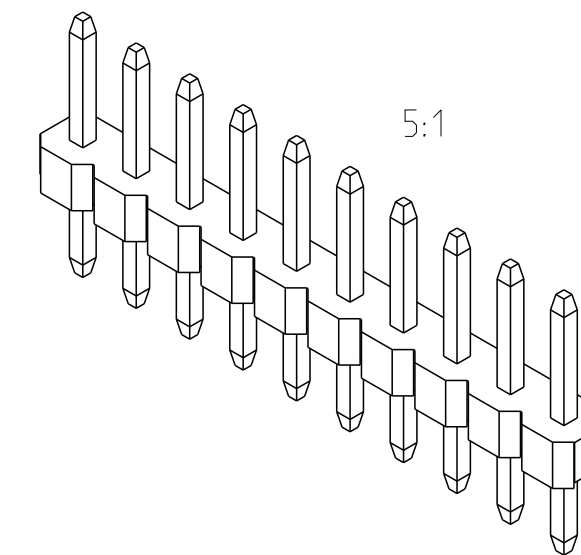


RECOMMENDED PCB HOLE PATTERN FOR THROUGH HOLE WAVE



RECOMMENDED PCB HOLE PATTERN FOR THROUGH HOLE REFLOW / PIN-IN-PASTE

1-2355045-0 AS SHOWN



SIZE	DIM "F"	DIM "E"	POS	TE PN
48.0	50.0	25	2	2-2355045-5
46.0	48.0	24	2	2-2355045-4
44.0	46.0	23	2	2-2355045-3
42.0	44.0	22	2	2-2355045-2
40.0	42.0	21	2	2-2355045-1
38.0	40.0	20	2	2-2355045-0
36.0	38.0	19	1	1-2355045-9
34.0	36.0	18	1	1-2355045-8
32.0	34.0	17	1	1-2355045-7
30.0	32.0	16	1	1-2355045-6
28.0	30.0	15	1	1-2355045-5
26.0	28.0	14	1	1-2355045-4
24.0	26.0	13	1	1-2355045-3
22.0	24.0	12	1	1-2355045-2
20.0	22.0	11	1	1-2355045-1
18.0	20.0	10	1	1-2355045-0
OBSOLETE	16.0	18.0	9	2355045-9
OBSOLETE	14.0	16.0	8	2355045-8
OBSOLETE	12.0	14.0	7	2355045-7
	10.0	12.0	6	2355045-6
	8.0	10.0	5	2355045-5
	6.0	8.0	4	2355045-4
	4.0	6.0	3	2355045-3
	2.0	4.0	2	2355045-2

THIS DRAWING IS A CONTROLLED DOCUMENT.

DIMENSIONS: mm	TOLERANCES UNLESS OTHERWISE SPECIFIED:	DWN: 09 APR 2019 RAGHAVENDRA.K	TE Connectivity
0 PLC ±	1 PLC ±0.2	CHK: 14 AUG 2019 KARTHIK.JK	NAME: AMPMODU 2mm BREAKAWAY HEADER, SINGLE ROW, VERTICAL, Au FLASH, TUBE
2 PLC ±0.15	3 PLC ±	APVD: 16 AUG 2019 PRASHANTH	SIZE: A2
4 PLC ±	ANGLES ±2°	PRODUCT SPEC: 108-64040	CAGE CODE: 00779
FINISH: SEE NOTES	SEE NOTES	APPLICATION SPEC: 114-32259	DRAWING NO: C-2355045
MATERIAL: SEE NOTES	SEE NOTES	WEIGHT: -	RESTRICTED TO: -
DESCRIPTION: ITEM NO		CUSTOMER DRAWING	SCALE: 10:1 SHEET: 1 OF 1 REV: A2