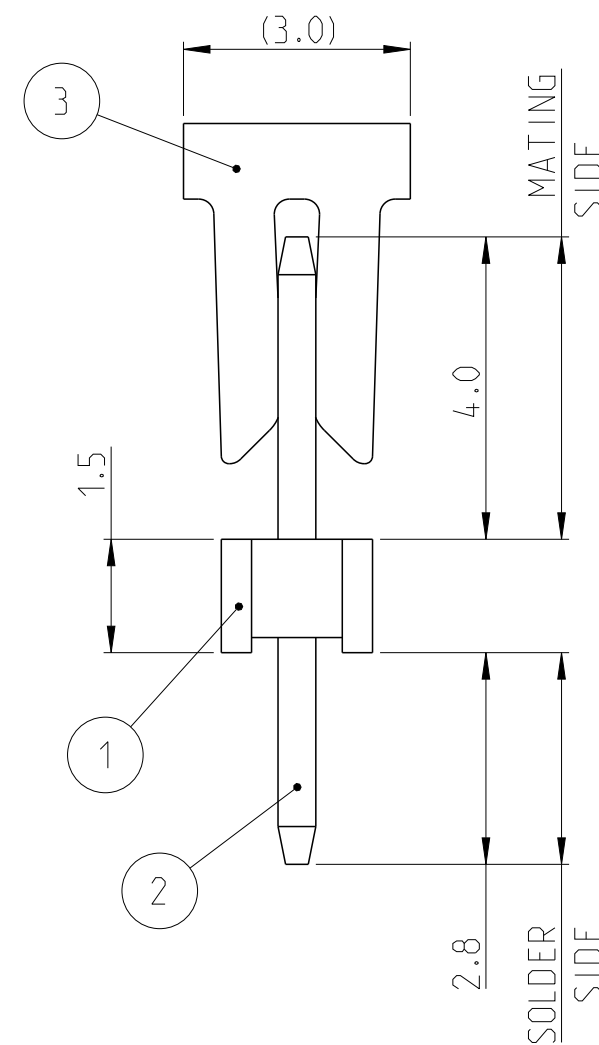
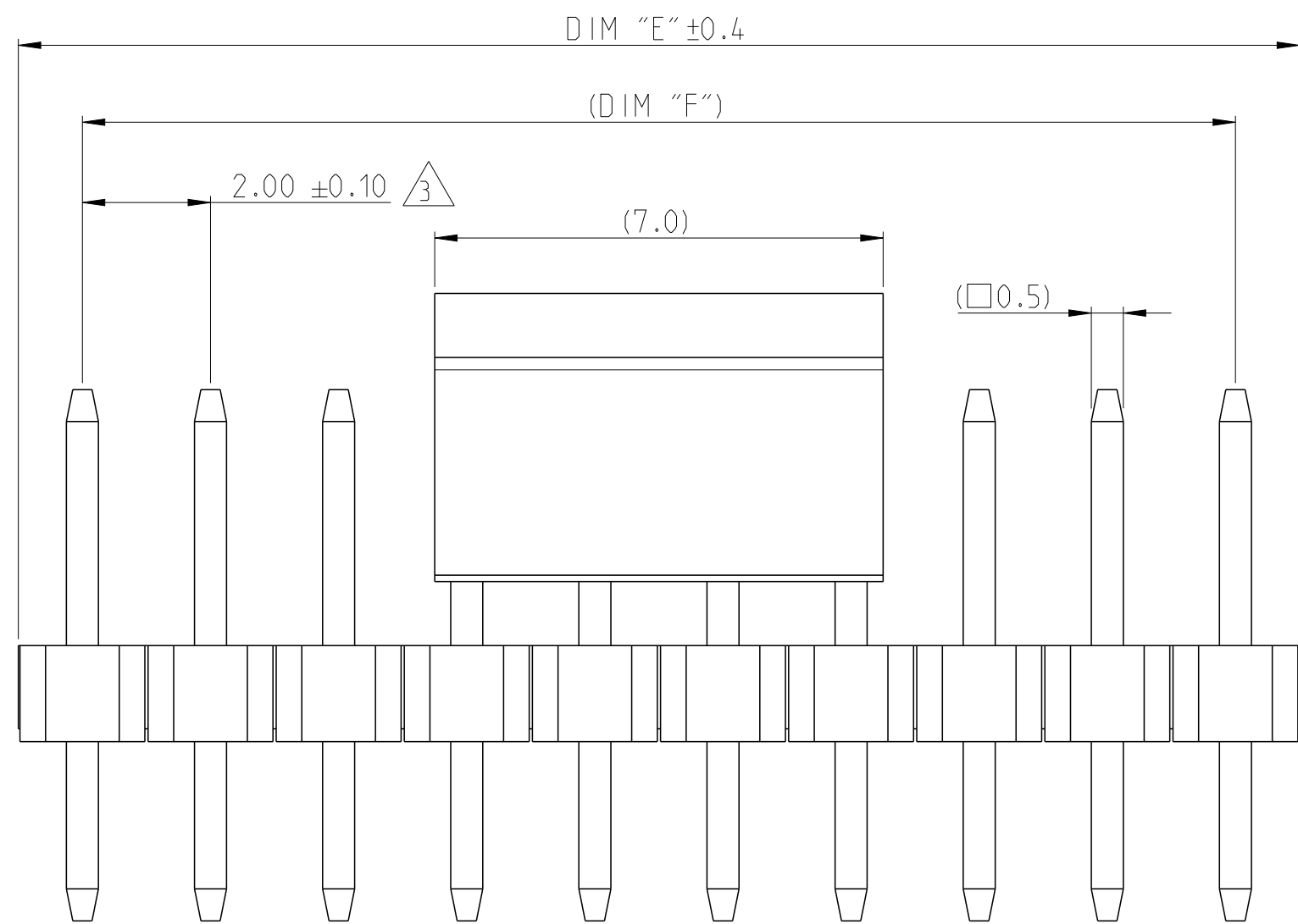
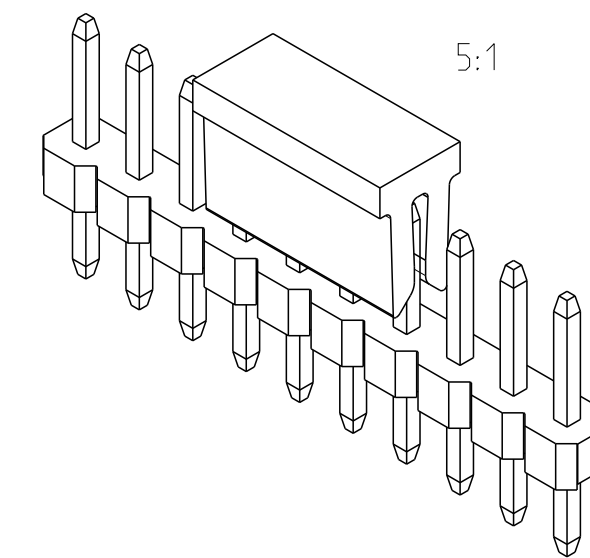


P	LTR	DESCRIPTION	DATE	DWN	APVD
A		RELEASE TO PRODUCTION	26AUG2019	AY	PS
B		CHANGED P AND P CAP LENGTH FROM 6.5 TO 7.0	16DEC2019	AY	PS
B1		PARTS OBSOLESCENCE	21JUN2023	BGC	PS



NOTES:

- MATERIAL
HOUSING & P&P CAP : HIGH TEMPERATURE THERMOPLASTIC, UL94-V0; COLOR- BLACK
CONTACT PIN : COPPER ALLOY
FINISH :
MATING SIDE: MIN. 0.1 μm GOLD OVER NICKEL UNDER PLATING
SOLDER SIDE: MIN. 2.0 μm BRIGHT TIN OVER NICKEL UNDER PLATING
- PACKAGING: TUBE (WITH PICK & PLACE CAP).
- TOLERANCE NOT CUMULATIVE.
- CUTTING BURR MAX. 0.25 mm.



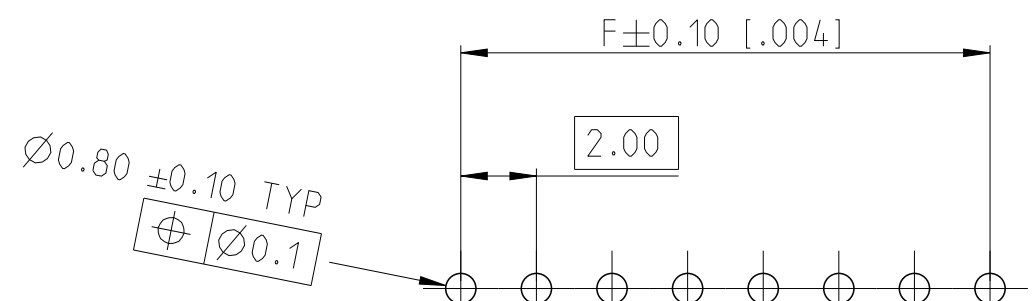
1-2355104-0 AS SHOWN

POS	DIM "F"	DIM "E"	TE PN
25	48.0	50.0	2-2355104-5
24	46.0	48.0	2-2355104-4
23	44.0	46.0	2-2355104-3
22	42.0	44.0	2-2355104-2
21	40.0	42.0	2-2355104-1
20	38.0	40.0	2-2355104-0
19	36.0	38.0	1-2355104-9
18	34.0	36.0	1-2355104-8
17	32.0	34.0	1-2355104-7
16	30.0	32.0	1-2355104-6
15	28.0	30.0	1-2355104-5
14	26.0	28.0	1-2355104-4
13	24.0	26.0	1-2355104-3
12	22.0	24.0	1-2355104-2
11	20.0	22.0	1-2355104-1
10	18.0	20.0	1-2355104-0
9	16.0	18.0	2355104-9
8	14.0	16.0	2355104-8
7	12.0	14.0	2355104-7
6	10.0	12.0	2355104-6
5	8.0	10.0	2355104-5
4	6.0	8.0	2355104-4

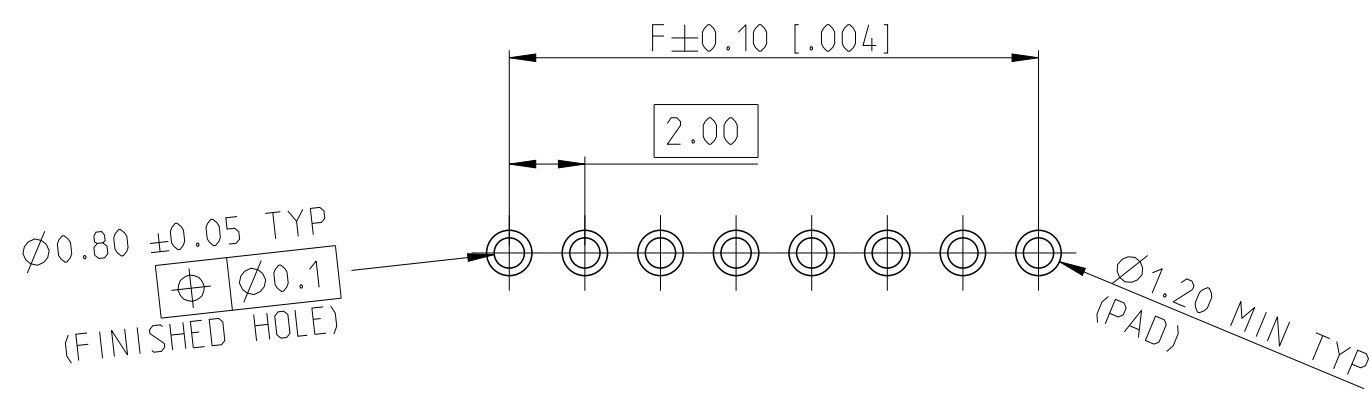
OBSOLETE

OBSOLETE

OBSOLETE



RECOMMENDED PCB HOLE PATTERN FOR THROUGH HOLE WAVE



RECOMMENDED PCB HOLE PATTERN FOR THROUGH HOLE REFLOW / PIN-IN-PASTE

PICK AND PLACE CAP	3
CONTACT PIN	2
HOUSING	1
DESCRIPTION	ITEM NO.

THIS DRAWING IS A CONTROLLED DOCUMENT.	
DIMENSIONS: mm	TOLERANCES UNLESS OTHERWISE SPECIFIED: 0 PLC ± 1 PLC ±0.2 2 PLC ±0.15 3 PLC ± 4 PLC ±
MATERIAL SEE NOTES	FINISH SEE NOTES

DWN RAGHAVENDRA.K 09APR2019	CHK KARTHIK.JK 14AUG2019	APVD PRASHANTH 16AUG2019
PRODUCT SPEC 108-64040		
APPLICATION SPEC 114-32259		
MATERIAL	WEIGHT	CUSTOMER DRAWING

STE TE Connectivity	
NAME AMPMODU 2mm BREAKAWAY HEADER, SINGLE ROW, VERTICAL, 0.1 Au, TUBE, PICK AND PLACE CAP	
SIZE A2	CAGE CODE 00779
DRAWING NO C-2355104	RESTRICTED TO -
SCALE 10:1	SHEET 1 OF 1
REV B1	