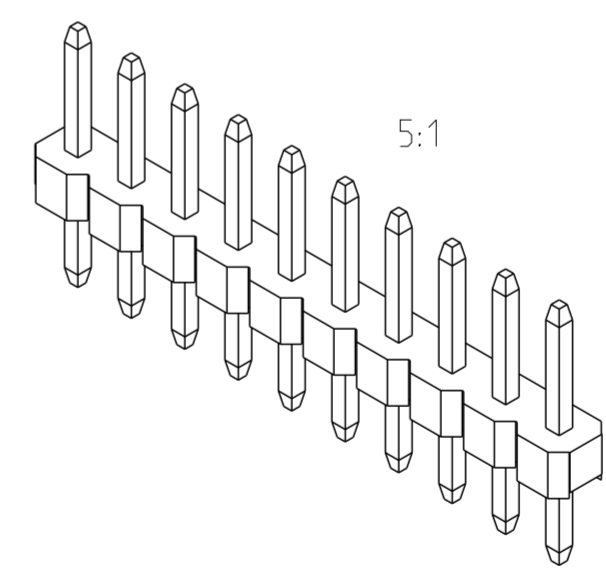
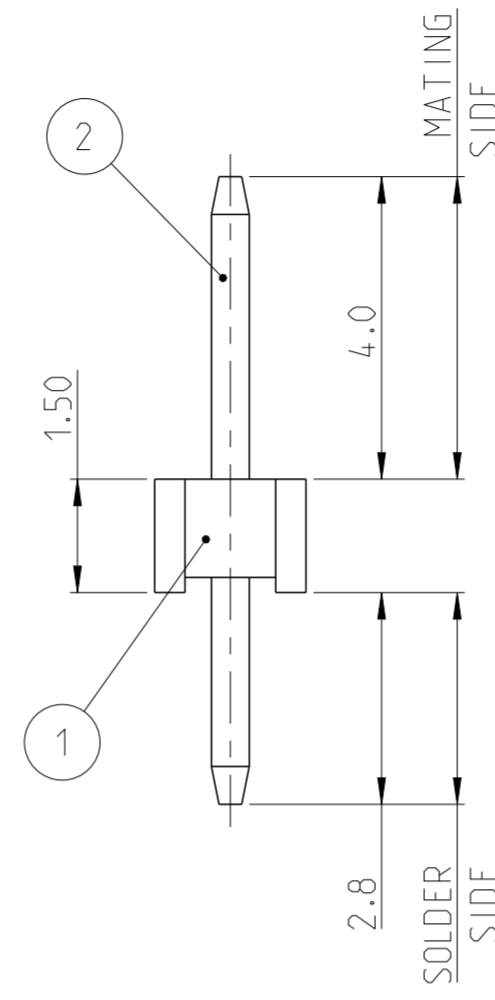
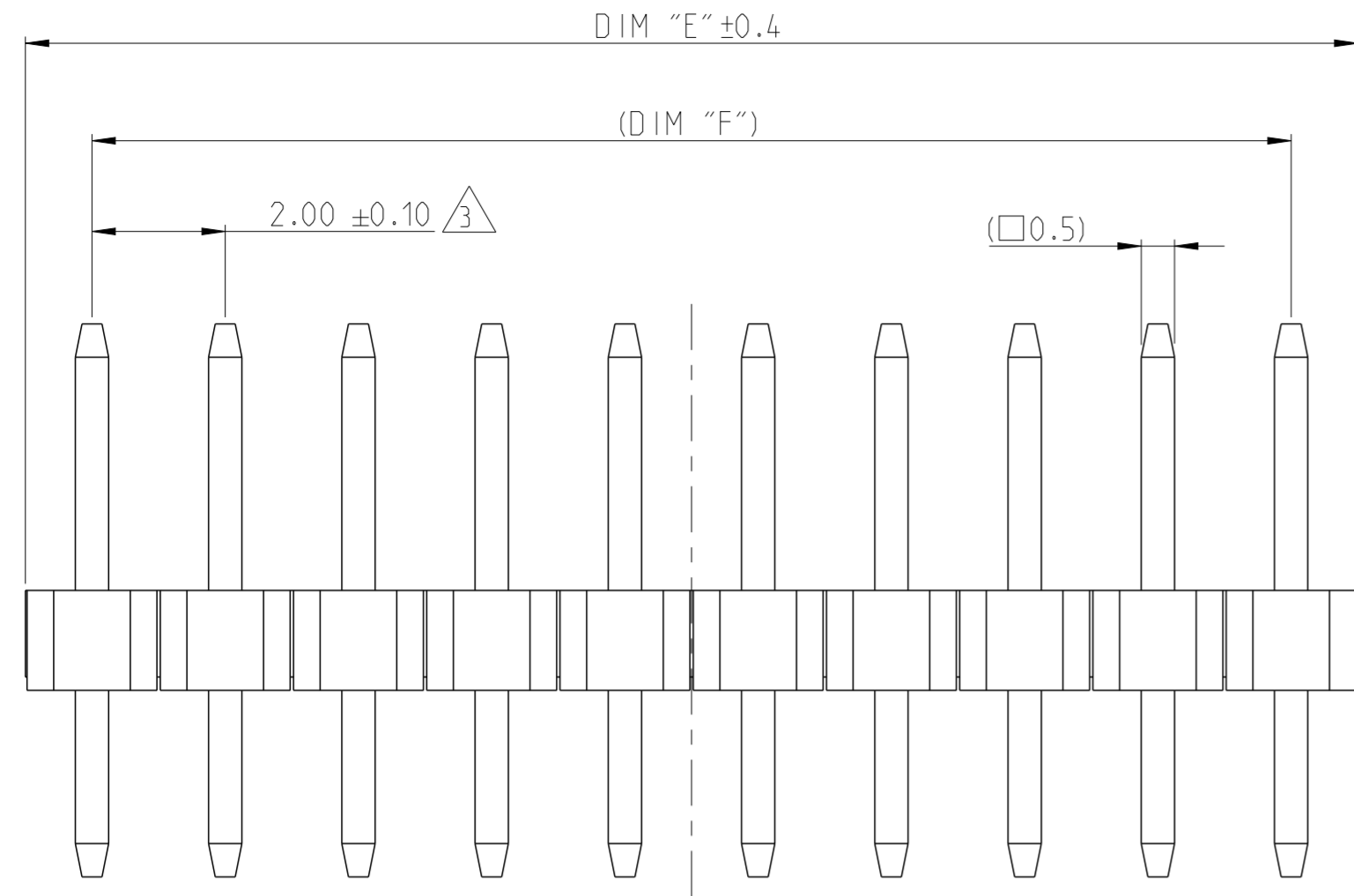


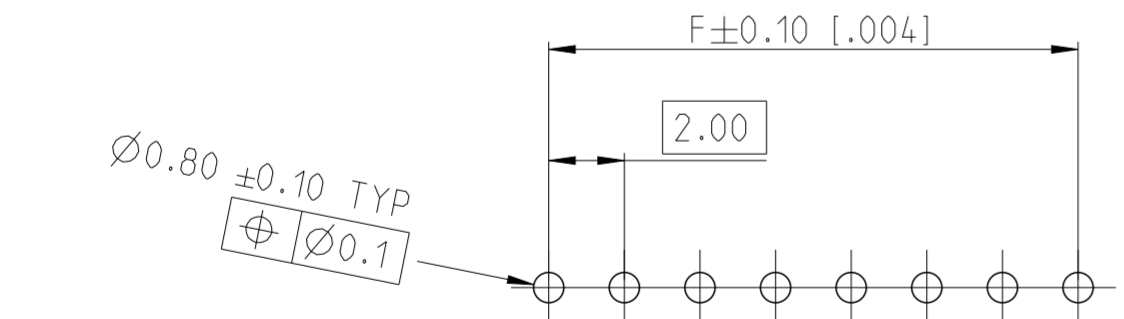
P	LTR	DESCRIPTION	DATE	DWN	APVD
A		RELEASE TO PRODUCTION	26AUG2019	AY	PS
A1		REMOVED TOLERANCE FROM DIM F	17DEC2019	AY	PS
A2		PARTS OBSOLESCENCE	21JUN2023	BGC	PS

- NOTES:
- MATERIAL
HOUSING : HIGH TEMPERATURE THERMOPLASTIC, UL94-V0; COLOR- BLACK
POST : COPPER ALLOY
FINISH :
MATING SIDE: MIN. 0.38µm GOLD OVER NICKEL UNDER PLATING
SOLDER SIDE: MIN. 2.0µm BRIGHT TIN OVER NICKEL UNDER PLATING
 - PACKAGING: TUBE.
 - TOLERANCE NOT CUMULATIVE.
 - CUTTING BURR MAX. 0.25 mm.

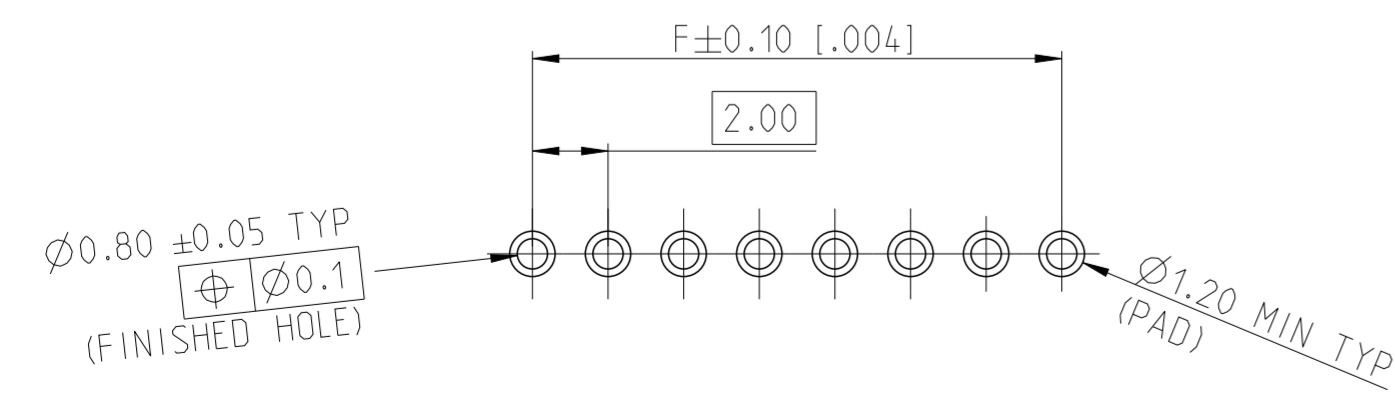


1-2355177-0 AS SHOWN

SIZE	DIM "F"	DIM "E"	POS	TE PN
48.0	50.0	25	2	2-2355177-5
46.0	48.0	24	2	2-2355177-4
44.0	46.0	23	2	2-2355177-3
42.0	44.0	22	2	2-2355177-2
40.0	42.0	21	2	2-2355177-1
38.0	40.0	20	2	2-2355177-0
36.0	38.0	19	1	1-2355177-9
34.0	36.0	18	1	1-2355177-8
32.0	34.0	17	1	1-2355177-7
30.0	32.0	16	1	1-2355177-6
28.0	30.0	15	1	1-2355177-5
26.0	28.0	14	1	1-2355177-4
24.0	26.0	13	1	1-2355177-3
22.0	24.0	12	1	1-2355177-2
20.0	22.0	11	1	1-2355177-1
18.0	20.0	10	1	1-2355177-0
OBSOLETE	16.0	18.0	9	2355177-9
OBSOLETE	14.0	16.0	8	2355177-8
OBSOLETE	12.0	14.0	7	2355177-7
	10.0	12.0	6	2355177-6
	8.0	10.0	5	2355177-5
	6.0	8.0	4	2355177-4
	4.0	6.0	3	2355177-3
	2.0	4.0	2	2355177-2



RECOMMENDED PCB HOLE PATTERN FOR THROUGH HOLE WAVE



RECOMMENDED PCB HOLE PATTERN FOR THROUGH HOLE REFLOW / PIN-IN-PASTE

CONTACT PIN	2
HOUSING	1
DESCRIPTION	ITEM NO.

THIS DRAWING IS A CONTROLLED DOCUMENT.		DWN 09APR2019 RAGHAVENDRA.K
DIMENSIONS: mm		CHK 14AUG2019 KARTHIK.JK
TOLERANCES UNLESS OTHERWISE SPECIFIED:		APVD 16AUG2019 PRASHANTH
0 PLC ±	±0.2	PRODUCT SPEC 108-64040
1 PLC ±	±0.15	APPLICATION SPEC 114-32259
2 PLC ±	±	WEIGHT -
3 PLC ±	±	CUSTOMER DRAWING
4 PLC ±	±2°	
ANGLES ±		
FINISH		

		TE Connectivity	
		NAME AMPMODU 2mm BREAKAWAY HEADER SINGLE ROW, VERTICAL, 0.38 Au, TUBE	
SIZE A2	CAGE CODE 00779	DRAWING NO. C-2355177	RESTRICTED TO -
SCALE 10:1		SHEET 1 OF 1	REV A2