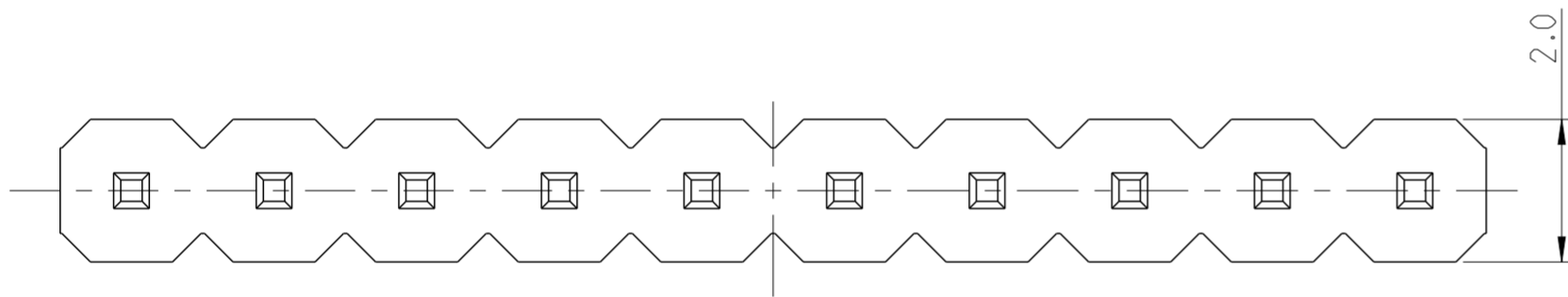
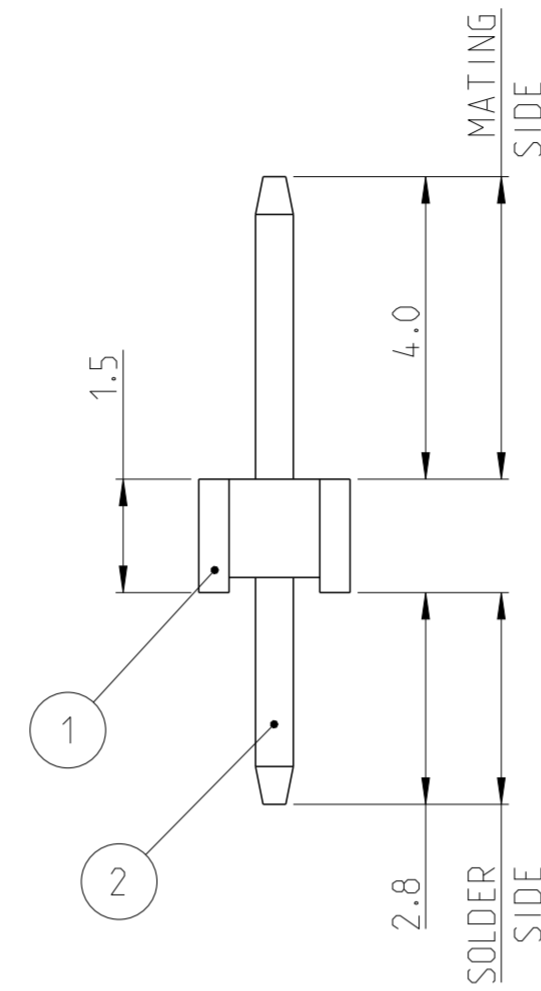
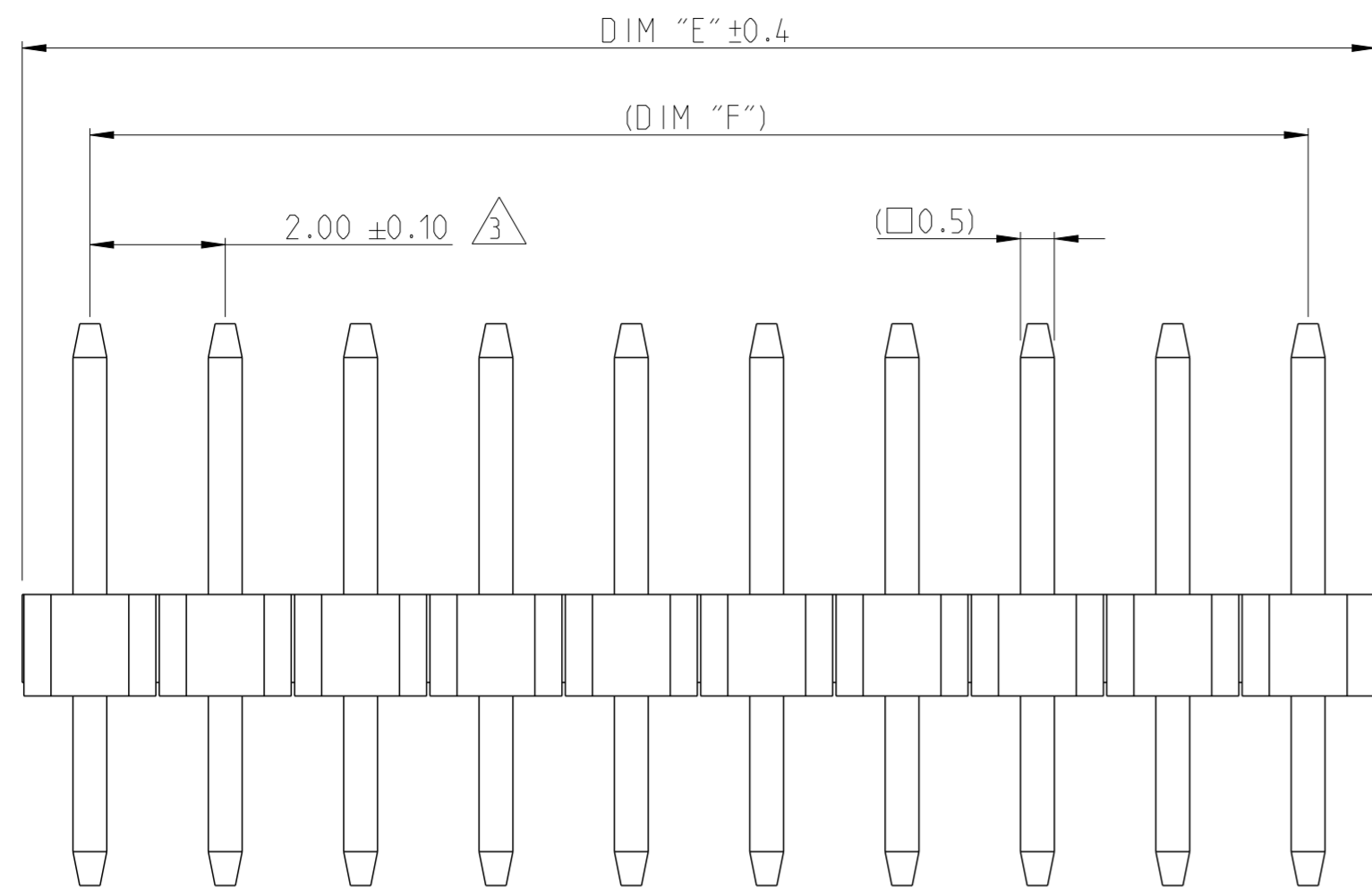


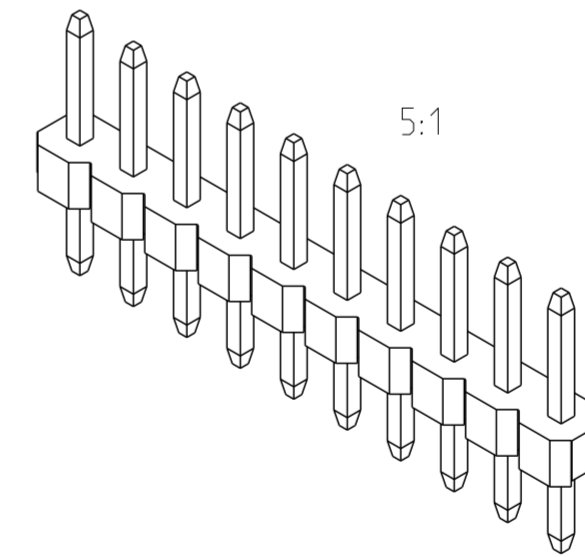
P	LTR	DESCRIPTION	DATE	DWN	APVD
A		RELEASE TO PRODUCTION	26AUG2019	AY	PS
A1		REMOVED TOLERANCE FROM DIM F	17DEC2019	AY	PS
A2		PARTS OBSOLESCENCE	22JUN2023	BGC	PS

NOTES:

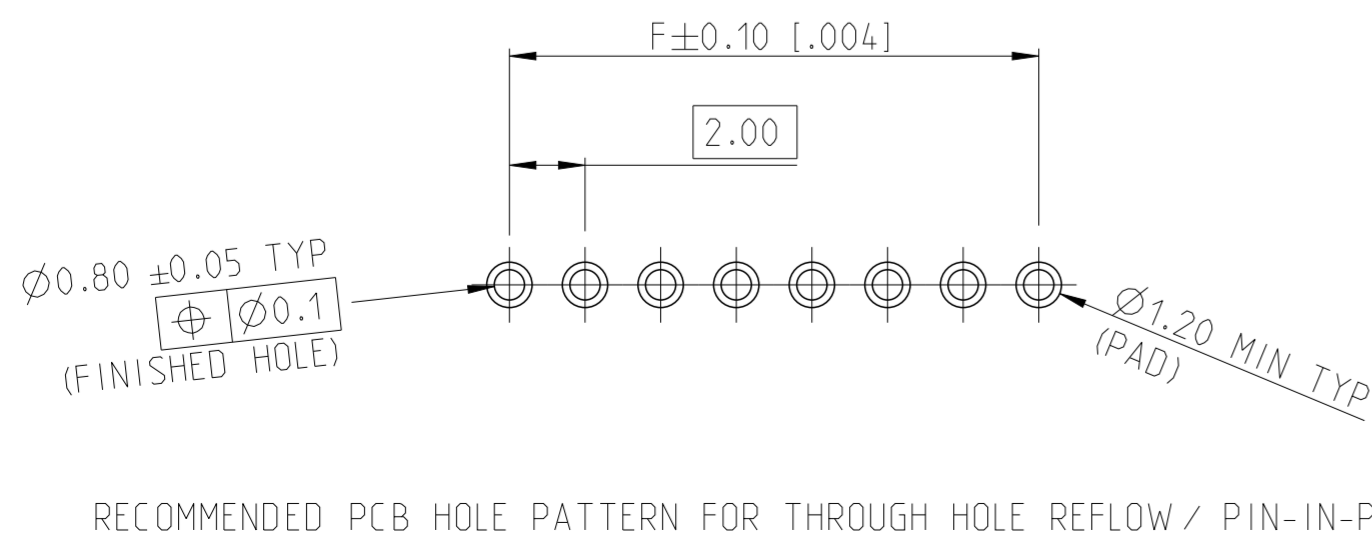
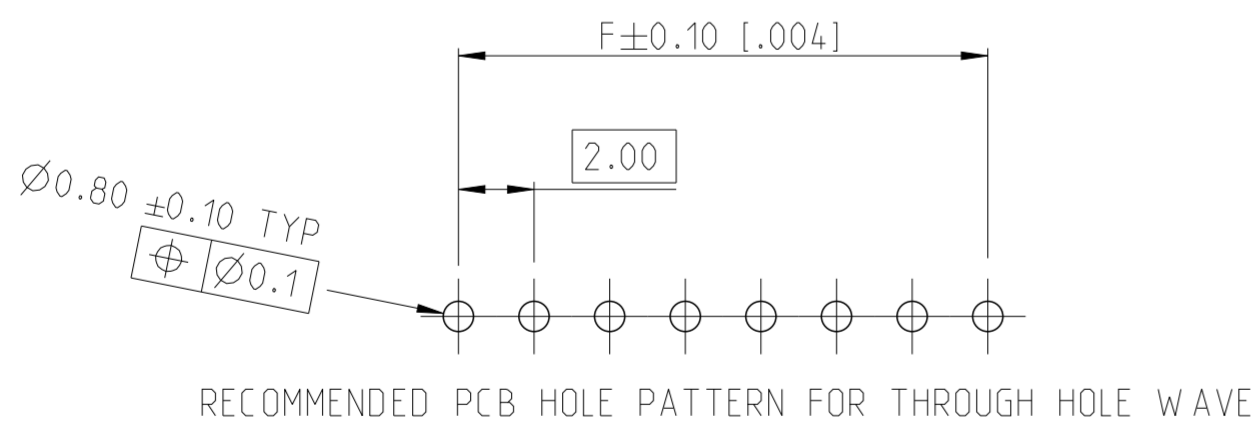
- MATERIAL
HOUSING : HIGH TEMPERATURE THERMOPLASTIC, UL94-V0; COLOR- BLACK
POST : COPPER ALLOY
FINISH :
MATING SIDE: MIN. 0.76 μ m GOLD OVER NICKEL UNDER PLATING.
SOLDER SIDE: MIN. 2.0 μ m BRIGHT TIN OVER NICKEL UNDER PLATING.
- PACKAGING: TUBE
- TOLERANCE NOT CUMULATIVE.
- CUTTING BURR MAX. 0.25 mm.



1-2355182-0 AS SHOWN



SIZE	DIM "F"	DIM "E"	POS	TE PN
48.0	50.0	25		2-2355182-5
46.0	48.0	24		2-2355182-4
44.0	46.0	23		2-2355182-3
42.0	44.0	22		2-2355182-2
40.0	42.0	21		2-2355182-1
38.0	40.0	20		2-2355182-0
36.0	38.0	19		1-2355182-9
34.0	36.0	18		1-2355182-8
32.0	34.0	17		1-2355182-7
30.0	32.0	16		1-2355182-6
28.0	30.0	15		1-2355182-5
26.0	28.0	14		1-2355182-4
24.0	26.0	13		1-2355182-3
22.0	24.0	12		1-2355182-2
20.0	22.0	11		1-2355182-1
18.0	20.0	10		1-2355182-0
OBSOLETE	16.0	18.0	9	2355182-9
OBSOLETE	14.0	16.0	8	2355182-8
OBSOLETE	12.0	14.0	7	2355182-7
	10.0	12.0	6	2355182-6
	8.0	10.0	5	2355182-5
	6.0	8.0	4	2355182-4
	4.0	6.0	3	2355182-3
	2.0	4.0	2	2355182-2



CONTACT PIN	2
HOUSING	1
DESCRIPTION	ITEM NO.

THIS DRAWING IS A CONTROLLED DOCUMENT.

DIMENSIONS:	TOLERANCES UNLESS OTHERWISE SPECIFIED:
mm	0 PLC ±
	1 PLC ±0.2
	2 PLC ±0.15
	3 PLC ±
	4 PLC ±
	ANGLES ±2°
	FINISH SEE NOTES

DWN	09APR2019
CHK	14AUG2019
APVD	16AUG2019
PRODUCT SPEC	108-64040
APPLICATION SPEC	114-32259
WEIGHT	-
CUSTOMER DRAWING	

		TE Connectivity	
NAME: AMPMODU 2mm BREAKAWAY HEADER, SINGLE ROW, VERTICAL, 0.76 Au, TUBE			
SIZE	CAGE CODE	DRAWING NO	RESTRICTED TO
A2	00779	C-2355182	-
SCALE 10:1		SHEET 1 OF 1	REV A2