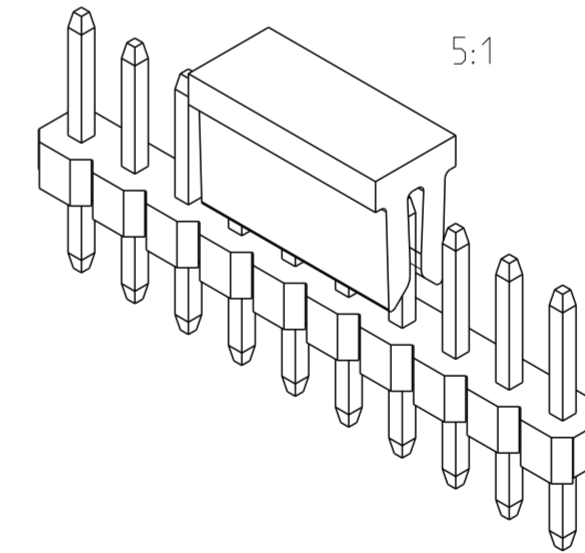
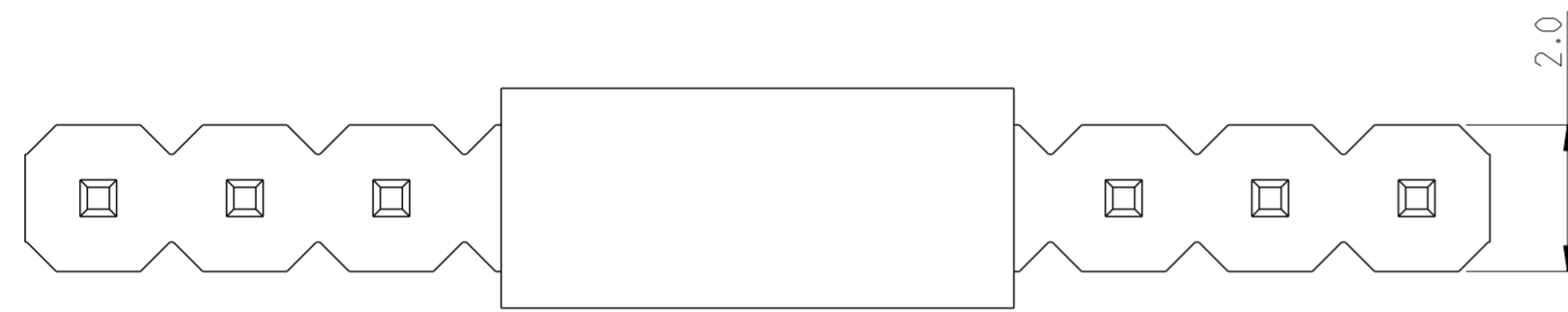
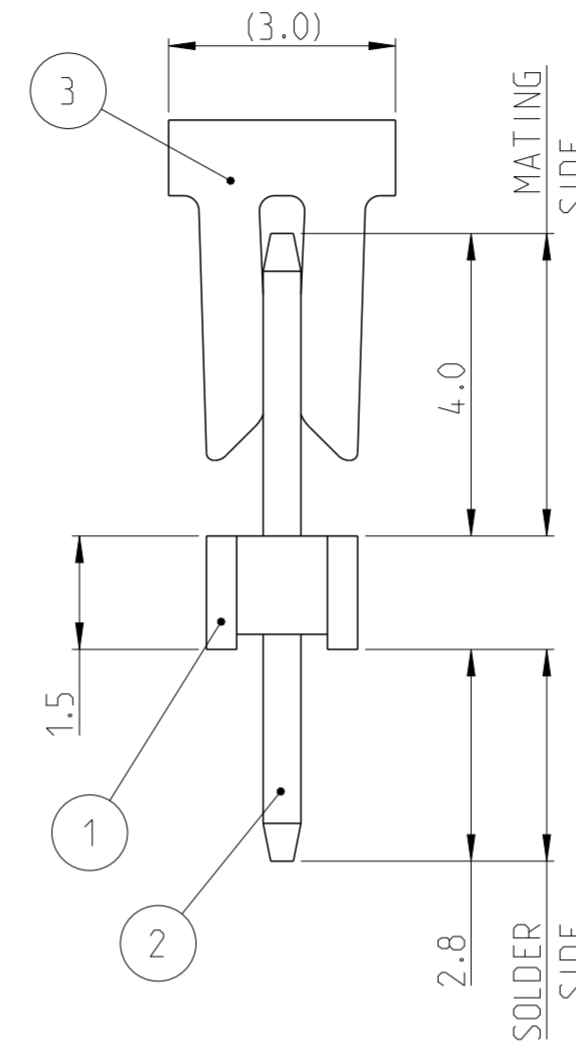
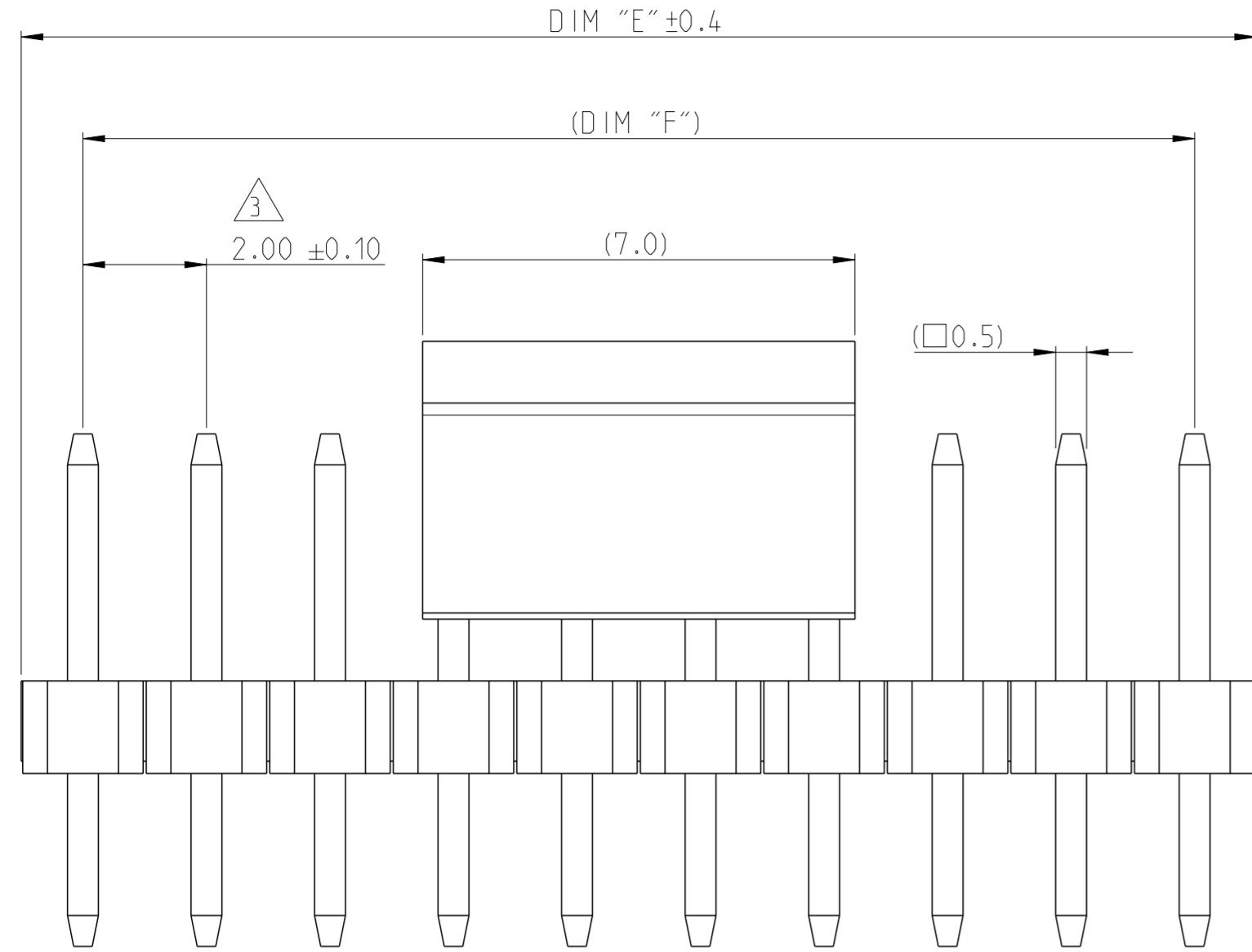


P	LTR	DESCRIPTION	DATE	DWN	APVD
A		RELEASE TO PRODUCTION	26AUG2019	AY	PS
B		CHANGED P AND P CAP LENGTH FROM 6.5 TO 7.0	16DEC2019	AY	PS
B1		PARTS OBSOLESCENCE	22JUN2023	BGC	PS

NOTES:

- MATERIAL  
HOUSING & P&P CAP : HIGH TEMPERATURE THERMOPLASTIC, UL94-V0;COLOR- BLACK  
CONTACT PIN : COPPER ALLOY  
FINISH :  
MATING SIDE: MIN. 0.76 µm GOLD OVER NICKEL UNDER PLATING.  
SOLDER SIDE: MIN. 2.0 µm BRIGHT TIN OVER NICKEL UNDER PLATING.
- PACKAGING: TUBE (WITH PICK AND PLACE CAP).
- TOLERANCE NOT CUMULATIVE.
- CUTTING BURR MAX. 0.25 mm

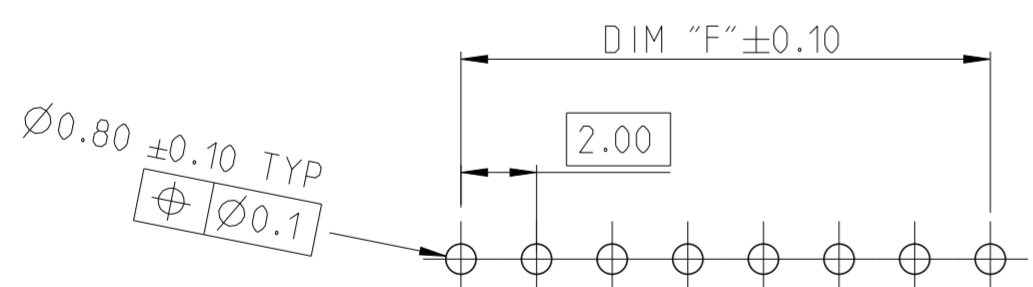


1-2355184-0 AS SHOWN

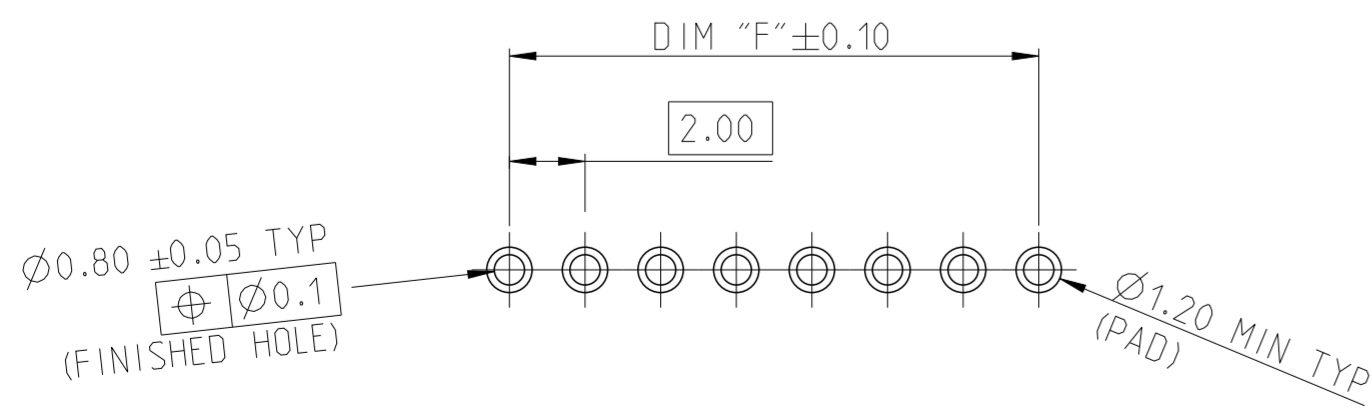
POS	DIM "F"	DIM "E"	TE PN
25	48.0	50.0	2-2355184-5
24	46.0	48.0	2-2355184-4
23	44.0	46.0	2-2355184-3
22	42.0	44.0	2-2355184-2
21	40.0	42.0	2-2355184-1
20	38.0	40.0	2-2355184-0
19	36.0	38.0	1-2355184-9
18	34.0	36.0	1-2355184-8
17	32.0	34.0	1-2355184-7
16	30.0	32.0	1-2355184-6
15	28.0	30.0	1-2355184-5
14	26.0	28.0	1-2355184-4
13	24.0	26.0	1-2355184-3
12	22.0	24.0	1-2355184-2
11	20.0	22.0	1-2355184-1
10	18.0	20.0	1-2355184-0
9	16.0	18.0	2355184-9
8	14.0	16.0	2355184-8
7	12.0	14.0	2355184-7
6	10.0	12.0	2355184-6
5	8.0	10.0	2355184-5
4	6.0	8.0	2355184-4

OBSOLETE

OBSOLETE		12.0	14.0	7	2355184-7
OBSOLETE		10.0	12.0	6	2355184-6
OBSOLETE		8.0	10.0	5	2355184-5
OBSOLETE		6.0	8.0	4	2355184-4



RECOMMENDED PCB HOLE PATTERN FOR THROUGH HOLE WAVE



RECOMMENDED PCB HOLE PATTERN FOR THROUGH HOLE REFLOW / PIN-IN-PASTE

PICK AND PLACE CAP	3
CONTACT PIN	2
HOUSING	1
DESCRIPTION	ITEM NO.

THIS DRAWING IS A CONTROLLED DOCUMENT.		DWN 09APR2019 RAGHAVENDRA.K
DIMENSIONS: mm		CHK 14AUG2019 KARTHIK.JK
TOLERANCES UNLESS OTHERWISE SPECIFIED:		APVD 16AUG2019 PRASHANTH
0 PLC ±	1 PLC ±0.2	PRODUCT SPEC 108-64040
2 PLC ±0.15	3 PLC ±	APPLICATION SPEC 114-32259
4 PLC ±	ANGLES ±2°	WEIGHT -
FINISH SEE NOTES		CUSTOMER DRAWING

<b>STE</b> TE Connectivity		NAME AMPMODU 2mm BREAKAWAY HEADER, SINGLE ROW, VERTICAL, 0.76 Au, TUBE, PICK AND PLACE CAP	
SIZE A2	CAGE CODE 00779	DRAWING NO C-2355184	RESTRICTED TO -
SCALE 10:1		SHEET 1 OF 1	REV B1