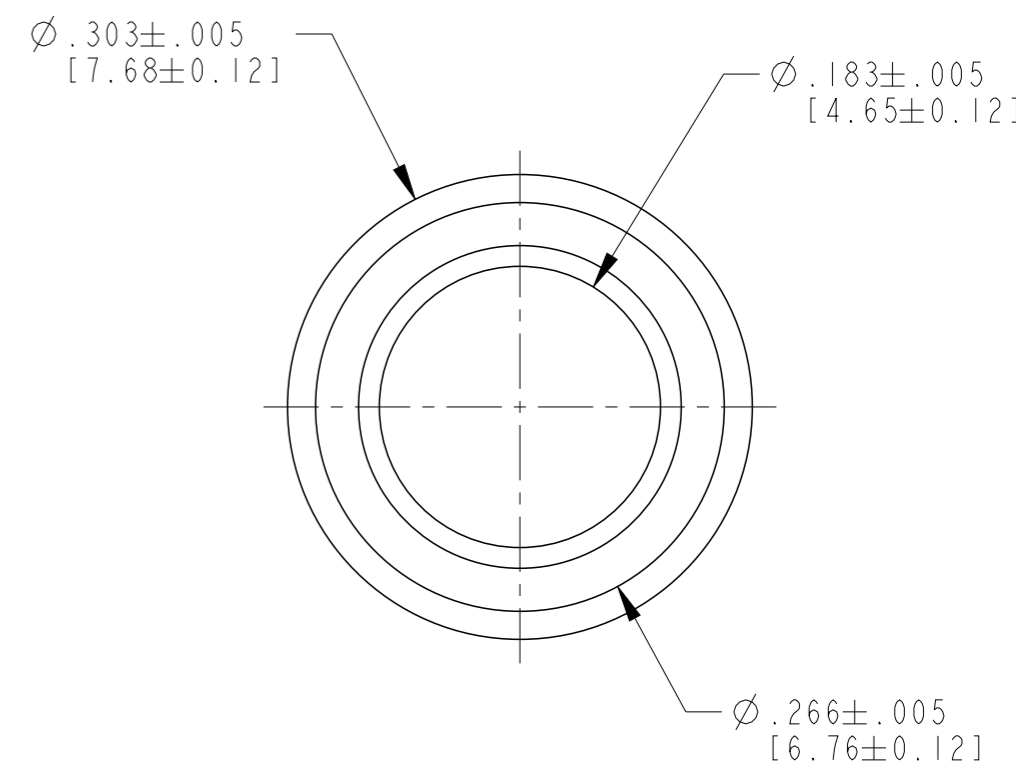
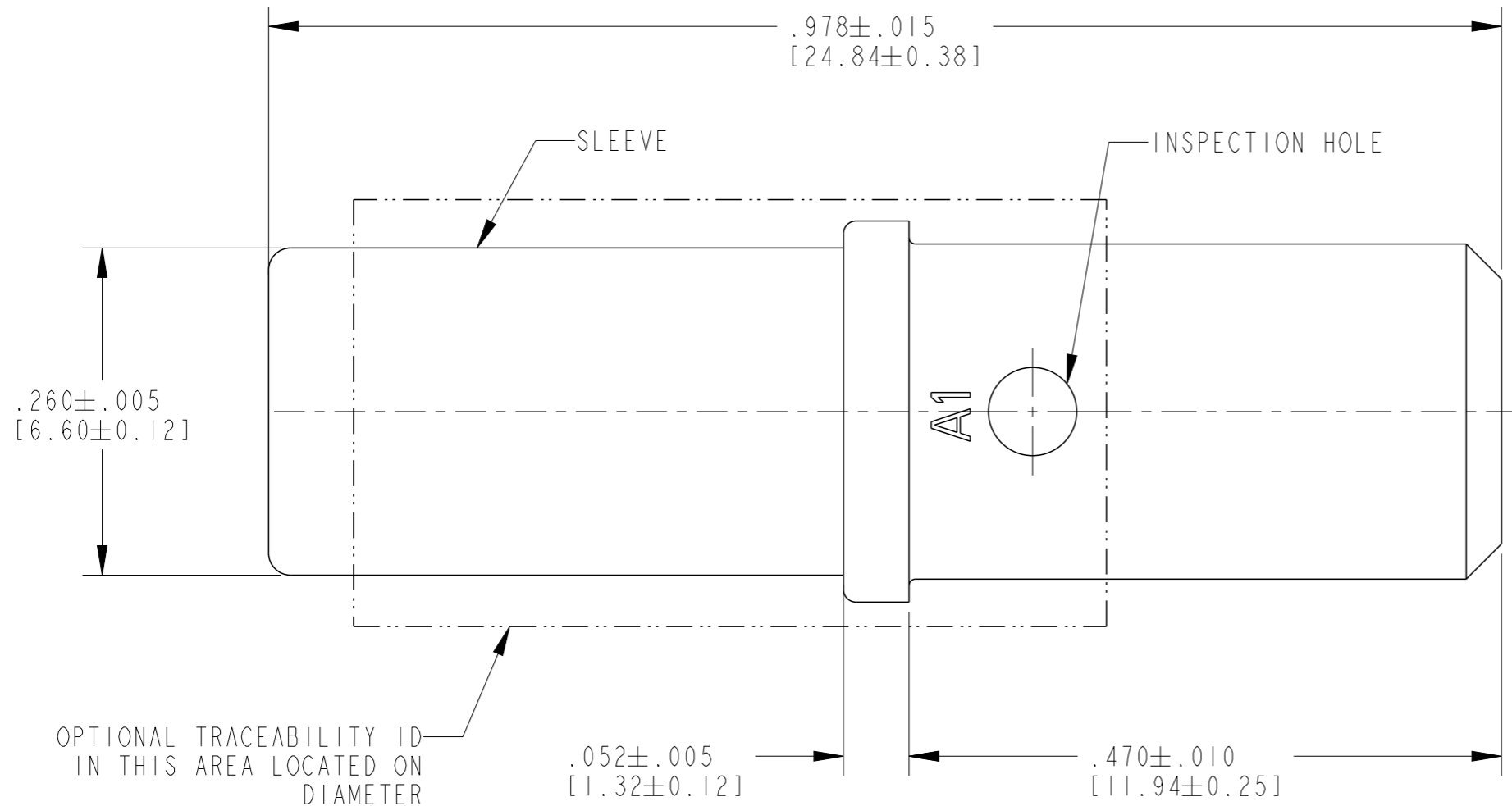


P	LTR	DESCRIPTION	DATE	DWN	APVD
	A	INITIAL RELEASE	22AUG2022	SN	IG



TE INTERNAL PN	DEUTSCH PN	PLATING
2362987-1	2362987-1	GOLD

- NOTES:
- 2 VALIDATION PER PRODUCT SPECIFICATION 108-151004. REFERENCE SIZE 8 CONTACTS. DURABILITY = 500 CYCLES.
  - 1 SEE APPLICATION SPECIFICATION 114-151004 FOR CRIMP TOOL AND WIRE RANGE. REFERENCE SIZE 8 CONTACTS.

THIS DRAWING IS A CONTROLLED DOCUMENT.		DWN N. SARATH 19AUG2022	 TE Connectivity													
DIMENSIONS: INCHES [mm]		CHK C. LIEW 19AUG2022														
TOLERANCES UNLESS OTHERWISE SPECIFIED:		APVD I. GRANTCHAROVA 22JAN2020	NAME SOCKET, SOLID SIZE 8													
<table border="0"> <tr> <td>0 PLC</td> <td>±</td> </tr> <tr> <td>1 PLC</td> <td>±</td> </tr> <tr> <td>2 PLC</td> <td>±</td> </tr> <tr> <td>3 PLC</td> <td>±</td> </tr> <tr> <td>4 PLC</td> <td>±</td> </tr> <tr> <td>ANGLES</td> <td>±</td> </tr> </table>		0 PLC	±	1 PLC	±	2 PLC	±	3 PLC	±	4 PLC	±	ANGLES	±	PRODUCT SPEC	RESTRICTED TO	
0 PLC	±															
1 PLC	±															
2 PLC	±															
3 PLC	±															
4 PLC	±															
ANGLES	±															
MATERIAL COPPER ALLOY		FINISH SEE TABLE	APPLICATION SPEC	SIZE A3												
		WEIGHT 4.68g	CAGE CODE 4AFU8	DRAWING NO G-2362987												
		CUSTOMER DRAWING	SCALE 8:1	SHEET 1 OF 1												
			REV A													