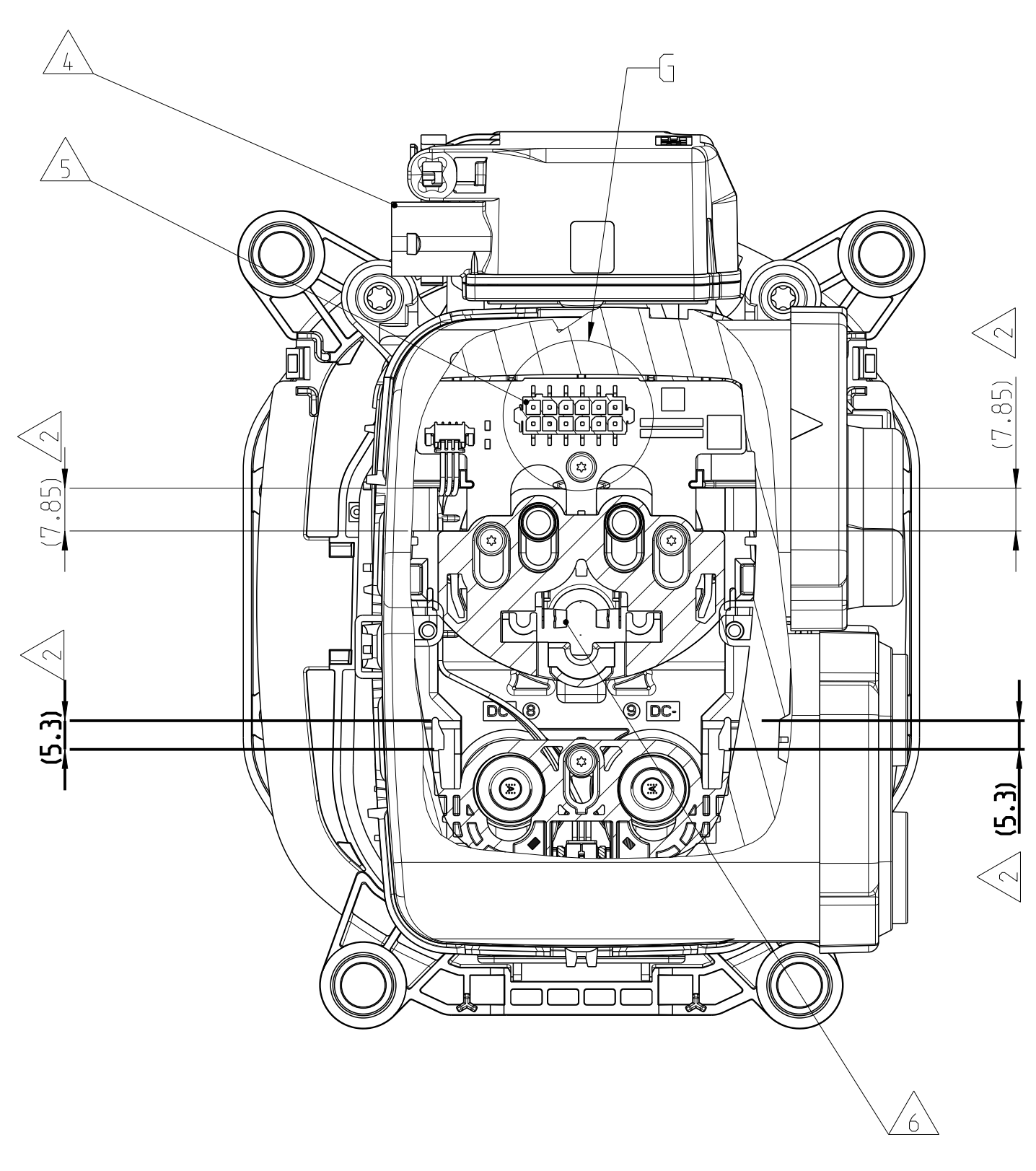
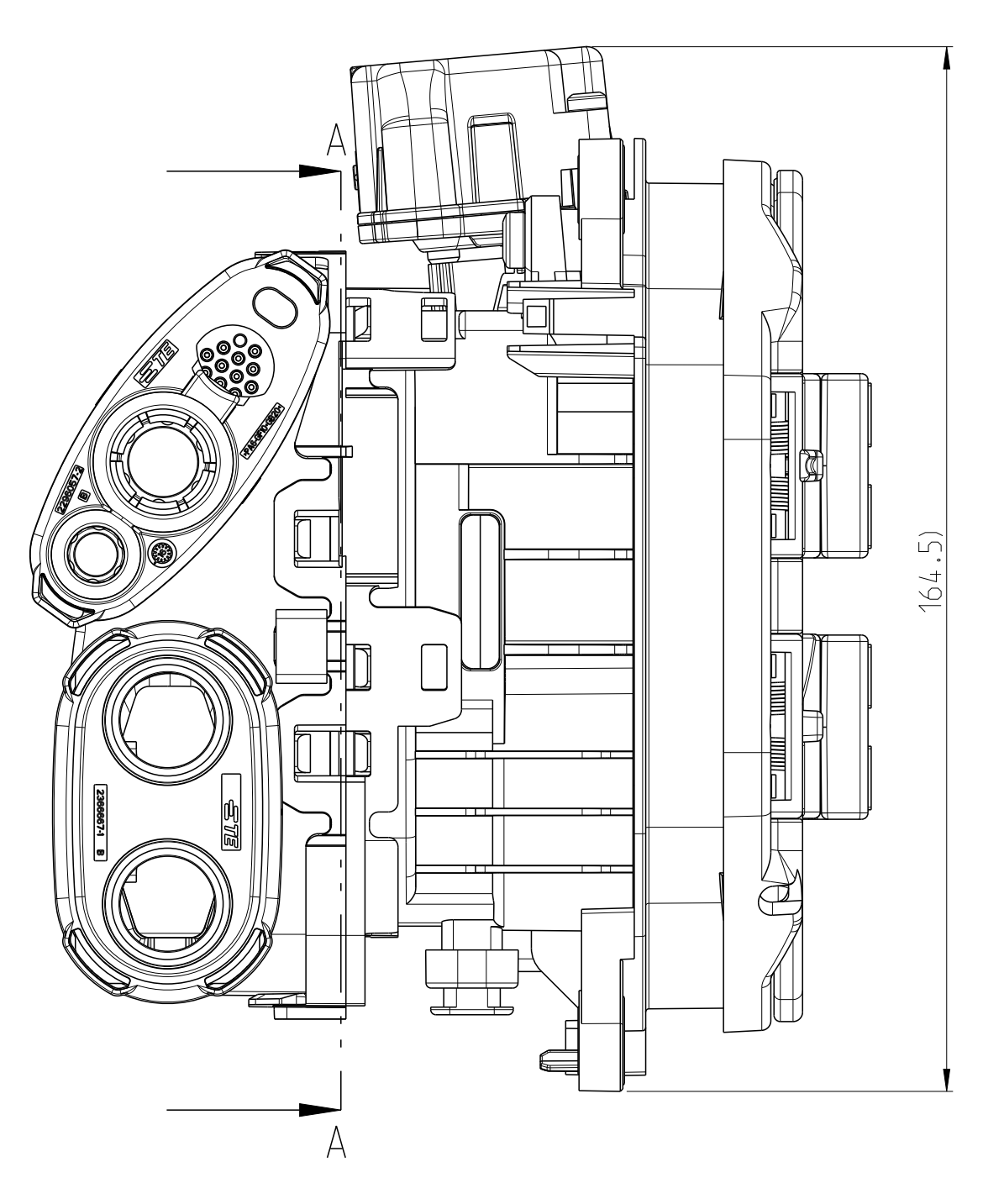
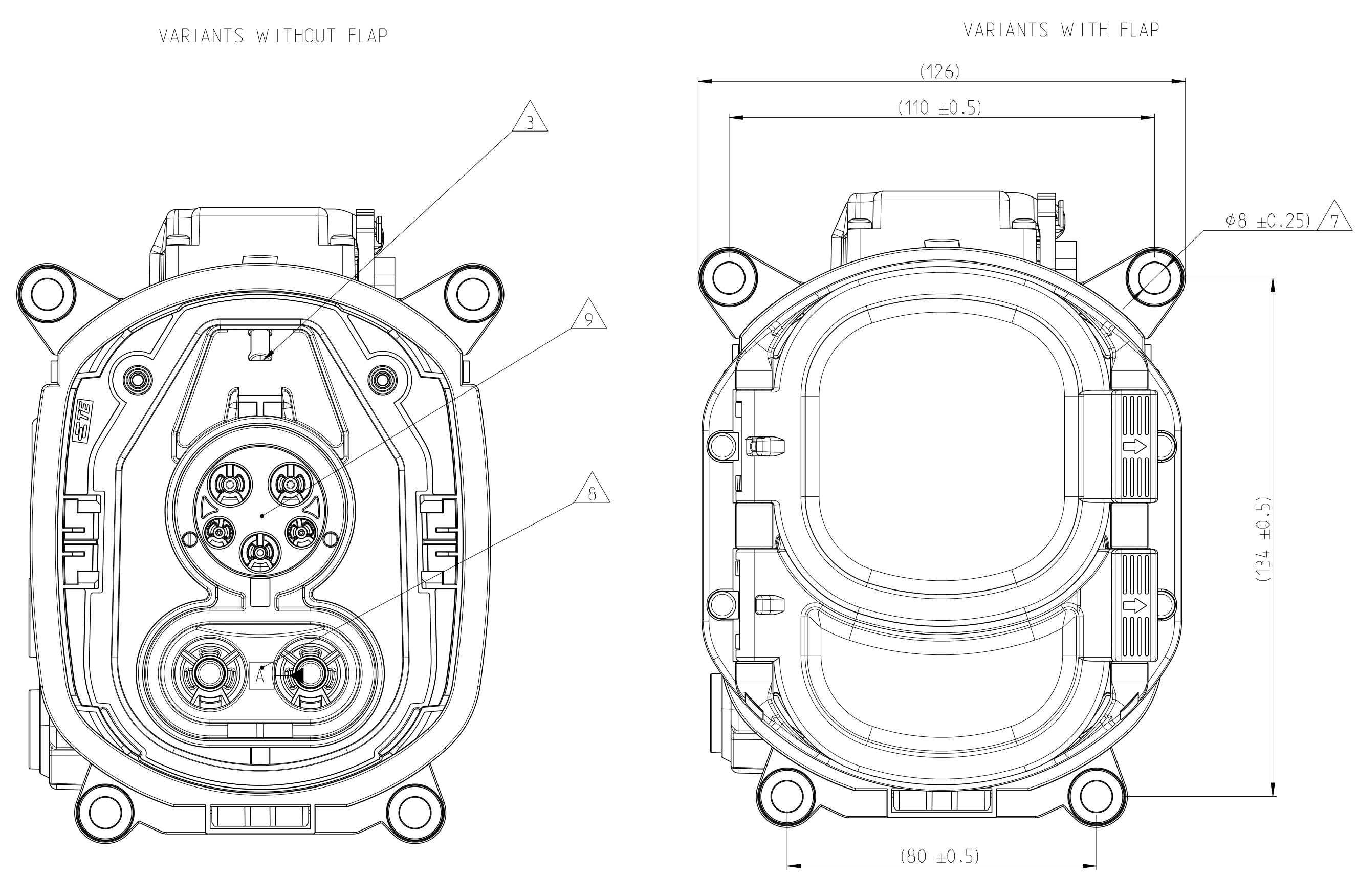
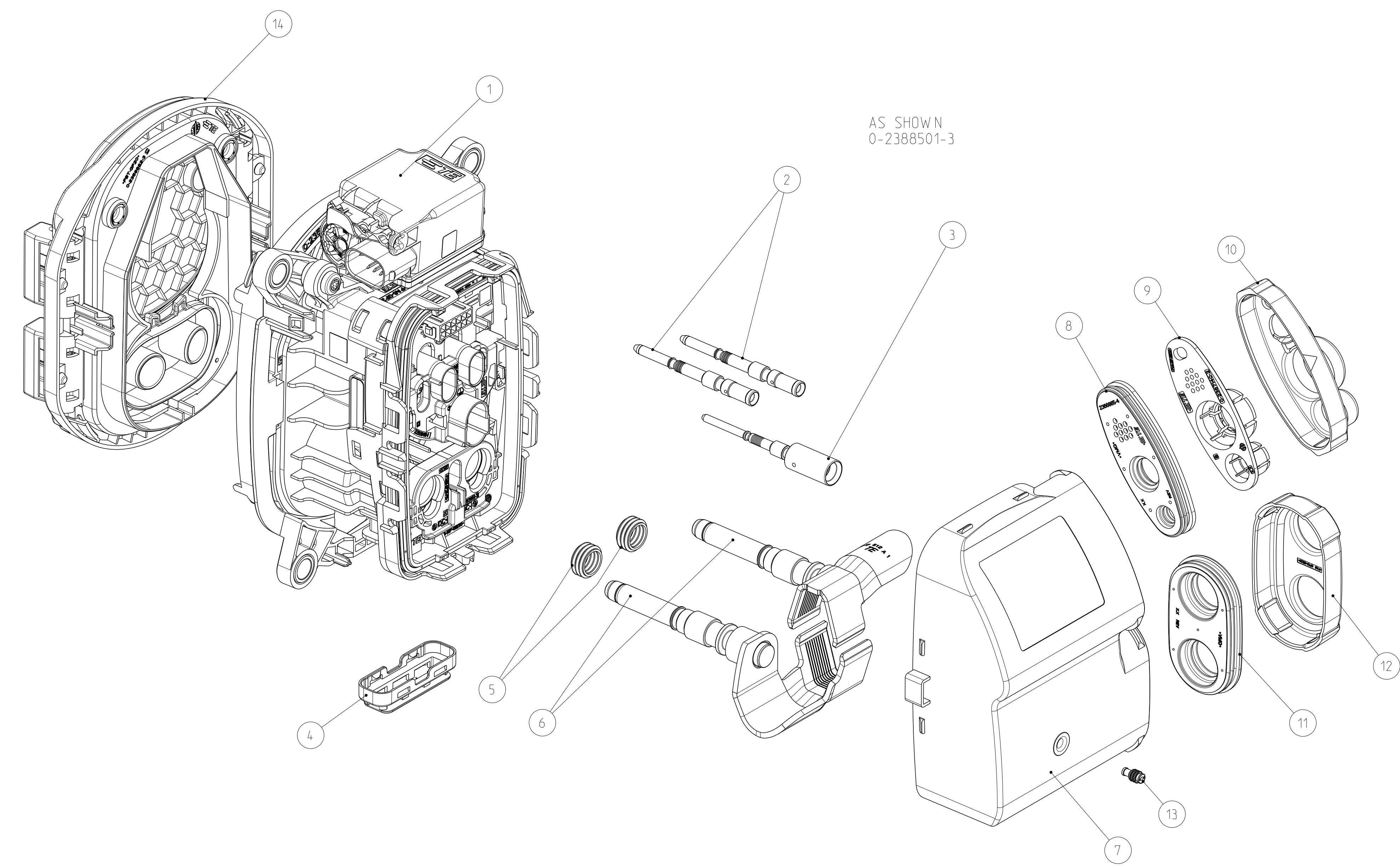
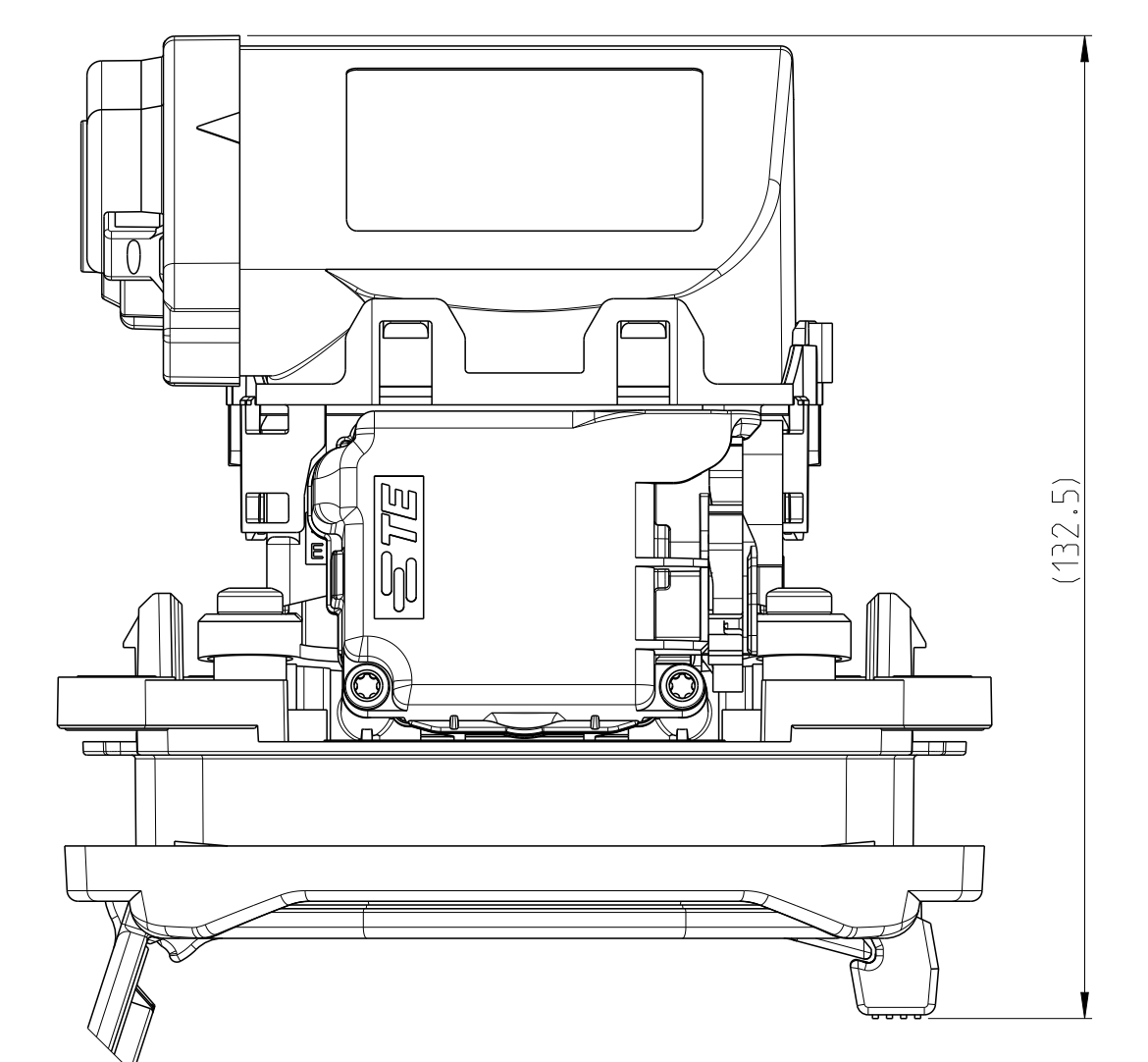
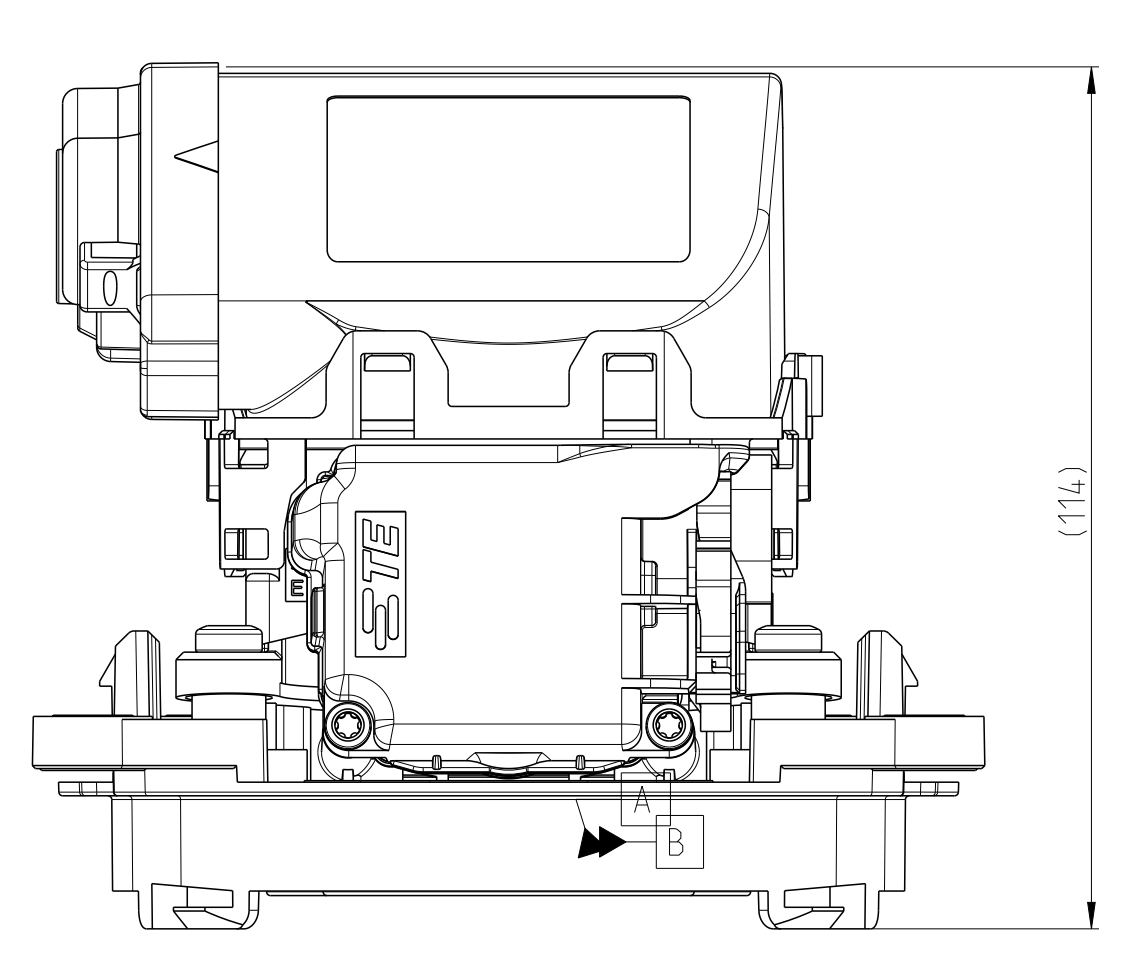


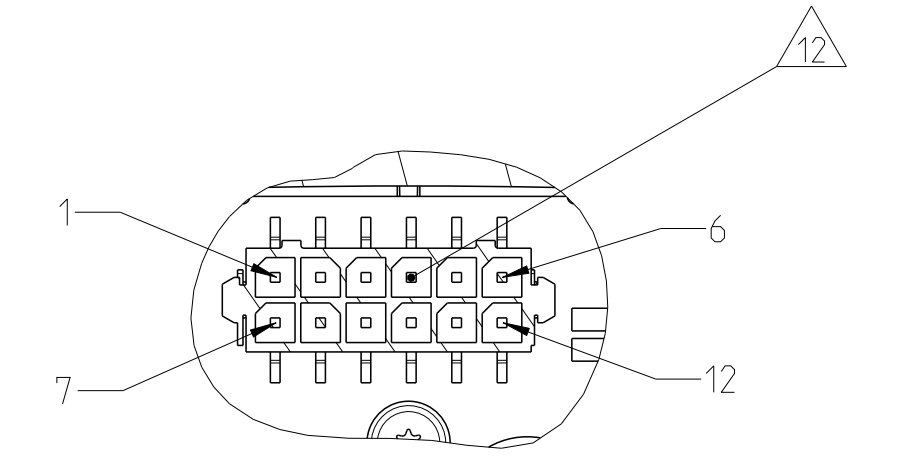
REVOLUTIONS		DATE	BY	APPD
A	New Drawing	10.AUG.2021	US	BK
B	PCN-23-195979	09.AUG.2024	AJ	KBP



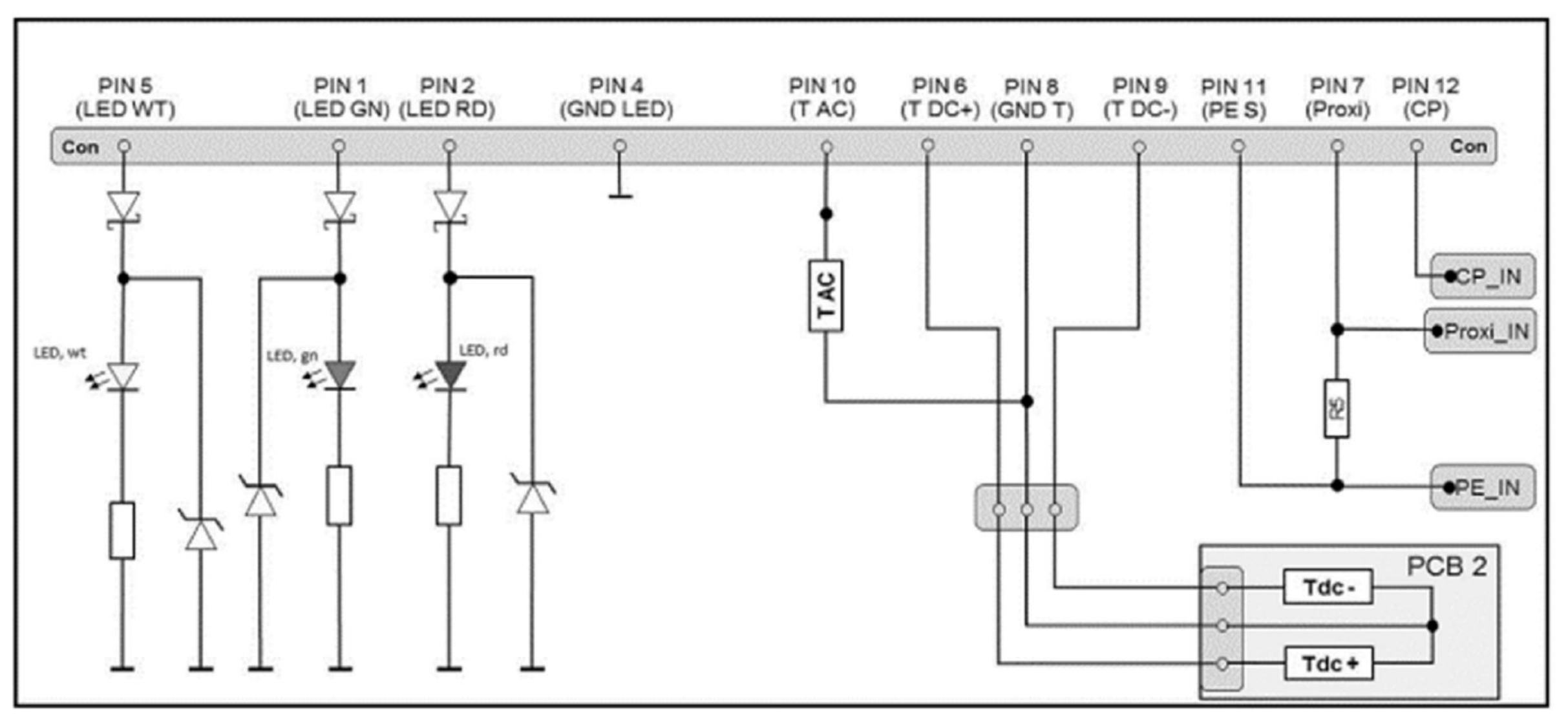
- NOTES
- PACKED INTERLAYERED IN PLASTIC BAG IN CORRUGATED SHIPPING BOX
 - DELIVERY CONDITION: SEC. LOCKS IN PRELOCK POSITION
 - DELIVERY CONDITION ACTUATOR: ACTUATOR IN BASE POSITION
 - ROOM FOR CONNECTOR PN 1-967640-1 MATING WITH TE SPEC. 114-18063-124.
 - MAKE SURE THAT NO MECHANICAL FORCES ARE APPLIED ON THE HEADER OF PCB4 AND HAS NO IMPACT ON FUNCTION
 - PE CONTACT CLAMP MAY BE DISCOLORED (BLACK/BROWN). TYPICAL FOR AG PLATING
 - APPLICABLE SCREWS FOR MOUNTING. HEAD DIAMETER MIN. 10.5mm. TORQUE 6Nm ± 0.9Nm FOR M6 SCREWS
 - CHARGE INLET SIMILAR TO IEC62196-3.CCS 1. SHEET 3-111a
 - CHARGE INLET SIMILAR TO IEC62196-2.TYPE 1. SHEET 2-1
 - ADAPTIVE CABLES SEE APPLICATION SPECIFICATION 114-94722
 - SPECIFIED IN PRODUCT SPECIFICATION 108-94838
 - COMPATIBLE PCB CONNECTOR: PN 1-794617-2 WITH TERMINAL PN 0-794606-1
 - FUNCTIONAL AND ELECTRICAL REQUIREMENTS OF ACTUATOR SEE SPECIFICATION 108-94519
 - CHECK FEEDBACK SIGNAL OF THE ACTUATOR:
FEEDBACKTIME < 10MS (AFTER REACHING FINALPOSITION)
2mA < LOCK POSITION < 4mA
15mA < UNLOCK POSITION < 19mA
8mA < PARTIAL LOCK POSITION < 12mA
8V < SUPPLY VOLTAGE < 16V
 - MAX VOLTAGE RATING 250 VAC
MAX CURRENT RATING 32 A
 - MAX VOLTAGE RATING 1000 VDC
MAX CURRENT RATING 200 A
 - ALL COMPONENTS OF THE PARTS LIST ARE DELIVERED IN SEPARATE SUBPACKAGES



DETAIL G
SCALE 2:1



CIRCUIT DIAGRAM (FOR INFORMATION ONLY)



3-2293469-1 & 4-2293469-1
4 WIRE VARIANT:

PIN 3	PIN 2	SENSE RESISTANCE	FUNCTION
-	+	11,000 kOhm ± 2%	LOCKED
-	+	2,194 kOhm ± 2%	DRIVE
-	+	1,540 kOhm ± 2%	FAULT
-	+	0,989 kOhm ± 2%	UNLOCKED

PIN 1	PIN 4	FUNCTION
-	+	UNLOCKING Entriegeln
+	-	LOCKING Verriegeln

PINNING
PCB

PIN NO.	COMBO 1
1	LED gn
2	LED rd
3	-
4	GND LED
5	LED wt
6	T DC+
7	Proxi
8	GND, Temp
9	T DC-
10	T AC
11	PE S
12	CP

TEST ITEM	TEST VOLTAGE		GROUND PIN	PROPERTY *T _{amb} = 25 ± 5 °C	
	VALUE	PIN		LIGHT EMISSION	CURRENT
LED WHITE	11V±0.2V	5	4	WHITE	20mA+4mA
LED GREEN	11V±0.2V	1	4	GREEN	20mA+4mA
LED RED	11V±0.2V	2	4	RED	20mA+4mA

TEST ITEM	RESISTANCE MEASUREMENT		VALUE *T _{amb} = 25 ± 5 °C
	TEST PINS		
TAC	10	8	1097Ω ± 20Ω
TDC+	6	8	1097Ω ± 20Ω
TDC-	9	8	1097Ω ± 20Ω
R5	11	7	2700Ω ± 80Ω
Proxi	Proxi	7	0Ω + 1Ω
CP	CP	12	0Ω + 1Ω

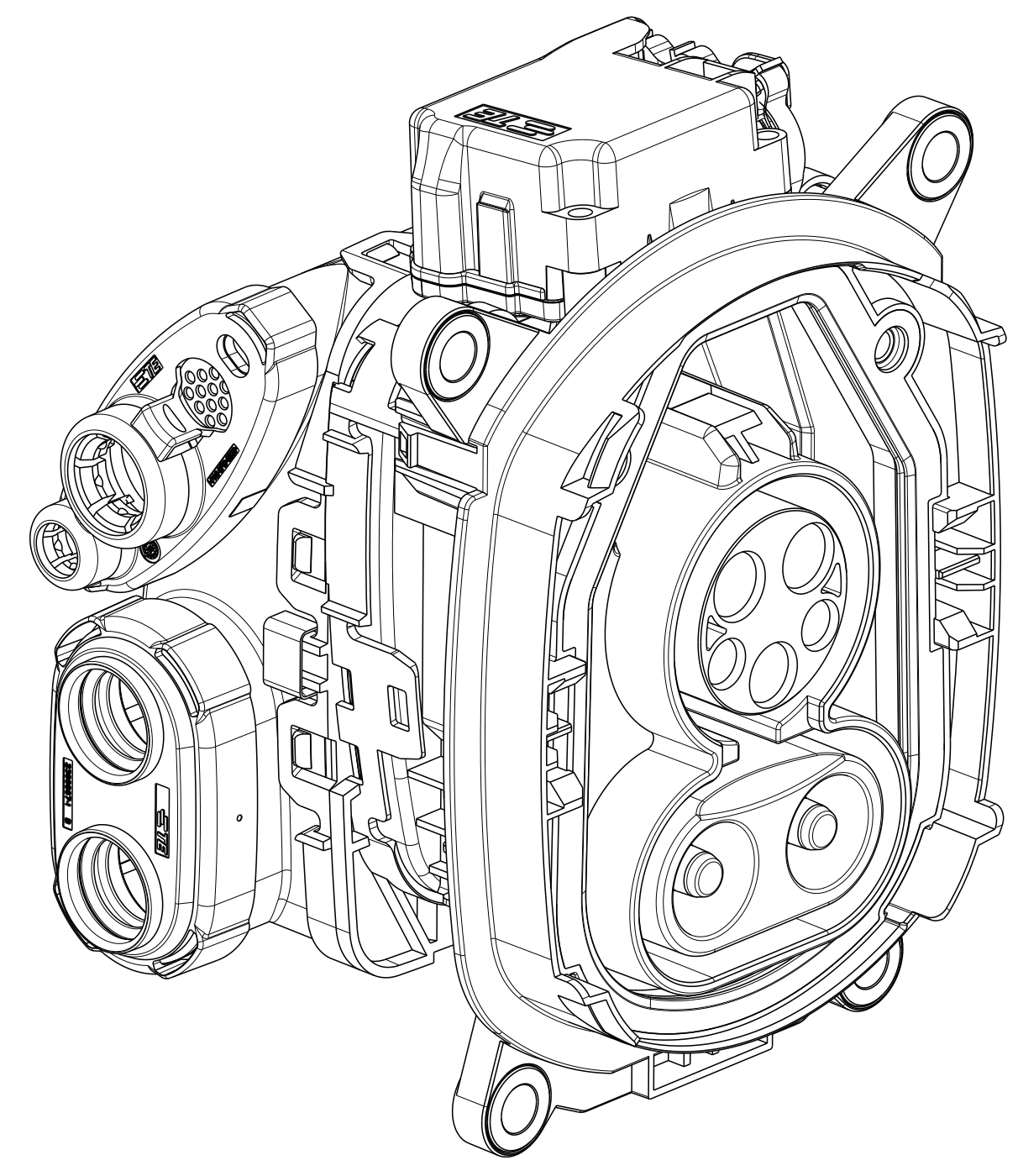
FLAP OPENING DIRECTION	RIGHT	RIGHT	LEFT	LEFT	NO FLAP	NO FLAP	RIGHT	RIGHT	LEFT	LEFT	NO FLAP	NO FLAP
CABLE EXIT FOR AC/DC/PE AND SIGNALS	RIGHT	LEFT	RIGHT	LEFT	RIGHT	LEFT	RIGHT	LEFT	RIGHT	LEFT	RIGHT	LEFT
1	1	-	-	-	-	1	1	-	-	-	-	-
2	-	1	1	-	-	-	-	1	1	-	-	-
3	1	1	1	1	1	1	1	1	1	1	1	1
4	1	1	1	1	1	1	1	1	1	1	1	1
5	1	1	1	1	1	1	1	1	1	1	1	1
6	1	1	1	1	1	1	1	1	1	1	1	1
7	1	1	1	1	1	1	1	1	1	1	1	1
8	1	1	1	1	1	1	1	1	1	1	1	1
9	1	1	1	1	1	1	1	1	1	1	1	1
10	1	1	1	1	1	1	1	1	1	1	1	1
11	1	1	1	1	1	1	1	1	1	1	1	1
12	1	1	1	1	1	1	1	1	1	1	1	1

REV.	DESCRIPTION	DATE	BY	CHK
1	FLAP, ASSY., INLET COMBO 1, RIGHT	10.JUN.2021	U. Siegel	
2	FLAP, ASSY., INLET COMBO 1, LEFT	10.JUN.2021	B. Kosch	
3	MDS BLINDSTOPFEN	10.JUN.2021	B. Kosch	
4	COVER, CABLE SEAL, COMBO DC	10.JUN.2021	B. Kosch	
5	COVER, CABLE SEAL, COMBO AC	10.JUN.2021	B. Kosch	
6	COVER, CABLE SEAL, COMBO DC	10.JUN.2021	B. Kosch	
7	COVER, CABLE SEAL, COMBO AC	10.JUN.2021	B. Kosch	
8	FAMILY SEAL, AC	10.JUN.2021	B. Kosch	
9	FAMILY SEAL, COMBO DC	10.JUN.2021	B. Kosch	
10	CABLE EXIT, SECT., COMBO RIGHT	10.JUN.2021	B. Kosch	
11	CABLE EXIT, SECT., COMBO LEFT	10.JUN.2021	B. Kosch	
12	DIA. 2.0MM PIN TERMINAL	10.JUN.2021	B. Kosch	
13	COMBO 1 CHARGE INLET ASSY. WITH LED	10.JUN.2021	B. Kosch	
14	COMBO 2 CHARGE INLET ASSY. WITH LED	10.JUN.2021	B. Kosch	
15	COMBO 3 CHARGE INLET ASSY. WITH LED	10.JUN.2021	B. Kosch	
16	COMBO 4 CHARGE INLET ASSY. WITH LED	10.JUN.2021	B. Kosch	
17	COMBO 5 CHARGE INLET ASSY. WITH LED	10.JUN.2021	B. Kosch	
18	COMBO 6 CHARGE INLET ASSY. WITH LED	10.JUN.2021	B. Kosch	
19	COMBO 7 CHARGE INLET ASSY. WITH LED	10.JUN.2021	B. Kosch	
20	COMBO 8 CHARGE INLET ASSY. WITH LED	10.JUN.2021	B. Kosch	
21	COMBO 9 CHARGE INLET ASSY. WITH LED	10.JUN.2021	B. Kosch	
22	COMBO 10 CHARGE INLET ASSY. WITH LED	10.JUN.2021	B. Kosch	
23	COMBO 11 CHARGE INLET ASSY. WITH LED	10.JUN.2021	B. Kosch	
24	COMBO 12 CHARGE INLET ASSY. WITH LED	10.JUN.2021	B. Kosch	
25	COMBO 13 CHARGE INLET ASSY. WITH LED	10.JUN.2021	B. Kosch	
26	COMBO 14 CHARGE INLET ASSY. WITH LED	10.JUN.2021	B. Kosch	
27	COMBO 15 CHARGE INLET ASSY. WITH LED	10.JUN.2021	B. Kosch	
28	COMBO 16 CHARGE INLET ASSY. WITH LED	10.JUN.2021	B. Kosch	
29	COMBO 17 CHARGE INLET ASSY. WITH LED	10.JUN.2021	B. Kosch	
30	COMBO 18 CHARGE INLET ASSY. WITH LED	10.JUN.2021	B. Kosch	
31	COMBO 19 CHARGE INLET ASSY. WITH LED	10.JUN.2021	B. Kosch	
32	COMBO 20 CHARGE INLET ASSY. WITH LED	10.JUN.2021	B. Kosch	
33	COMBO 21 CHARGE INLET ASSY. WITH LED	10.JUN.2021	B. Kosch	
34	COMBO 22 CHARGE INLET ASSY. WITH LED	10.JUN.2021	B. Kosch	
35	COMBO 23 CHARGE INLET ASSY. WITH LED	10.JUN.2021	B. Kosch	
36	COMBO 24 CHARGE INLET ASSY. WITH LED	10.JUN.2021	B. Kosch	
37	COMBO 25 CHARGE INLET ASSY. WITH LED	10.JUN.2021	B. Kosch	
38	COMBO 26 CHARGE INLET ASSY. WITH LED	10.JUN.2021	B. Kosch	
39	COMBO 27 CHARGE INLET ASSY. WITH LED	10.JUN.2021	B. Kosch	
40	COMBO 28 CHARGE INLET ASSY. WITH LED	10.JUN.2021	B. Kosch	
41	COMBO 29 CHARGE INLET ASSY. WITH LED	10.JUN.2021	B. Kosch	
42	COMBO 30 CHARGE INLET ASSY. WITH LED	10.JUN.2021	B. Kosch	
43	COMBO 31 CHARGE INLET ASSY. WITH LED	10.JUN.2021	B. Kosch	
44	COMBO 32 CHARGE INLET ASSY. WITH LED	10.JUN.2021	B. Kosch	
45	COMBO 33 CHARGE INLET ASSY. WITH LED	10.JUN.2021	B. Kosch	
46	COMBO 34 CHARGE INLET ASSY. WITH LED	10.JUN.2021	B. Kosch	
47	COMBO 35 CHARGE INLET ASSY. WITH LED	10.JUN.2021	B. Kosch	
48	COMBO 36 CHARGE INLET ASSY. WITH LED	10.JUN.2021	B. Kosch	
49	COMBO 37 CHARGE INLET ASSY. WITH LED	10.JUN.2021	B. Kosch	
50	COMBO 38 CHARGE INLET ASSY. WITH LED	10.JUN.2021	B. Kosch	
51	COMBO 39 CHARGE INLET ASSY. WITH LED	10.JUN.2021	B. Kosch	
52	COMBO 40 CHARGE INLET ASSY. WITH LED	10.JUN.2021	B. Kosch	
53	COMBO 41 CHARGE INLET ASSY. WITH LED	10.JUN.2021	B. Kosch	
54	COMBO 42 CHARGE INLET ASSY. WITH LED	10.JUN.2021	B. Kosch	
55	COMBO 43 CHARGE INLET ASSY. WITH LED	10.JUN.2021	B. Kosch	
56	COMBO 44 CHARGE INLET ASSY. WITH LED	10.JUN.2021	B. Kosch	
57	COMBO 45 CHARGE INLET ASSY. WITH LED	10.JUN.2021	B. Kosch	
58	COMBO 46 CHARGE INLET ASSY. WITH LED	10.JUN.2021	B. Kosch	
59	COMBO 47 CHARGE INLET ASSY. WITH LED	10.JUN.2021	B. Kosch	
60	COMBO 48 CHARGE INLET ASSY. WITH LED	10.JUN.2021	B. Kosch	
61	COMBO 49 CHARGE INLET ASSY. WITH LED	10.JUN.2021	B. Kosch	
62	COMBO 50 CHARGE INLET ASSY. WITH LED	10.JUN.2021	B. Kosch	
63	COMBO 51 CHARGE INLET ASSY. WITH LED	10.JUN.2021	B. Kosch	
64	COMBO 52 CHARGE INLET ASSY. WITH LED	10.JUN.2021	B. Kosch	
65	COMBO 53 CHARGE INLET ASSY. WITH LED	10.JUN.2021	B. Kosch	
66	COMBO 54 CHARGE INLET ASSY. WITH LED	10.JUN.2021	B. Kosch	
67	COMBO 55 CHARGE INLET ASSY. WITH LED	10.JUN.2021	B. Kosch	
68	COMBO 56 CHARGE INLET ASSY. WITH LED	10.JUN.2021	B. Kosch	
69	COMBO 57 CHARGE INLET ASSY. WITH LED	10.JUN.2021	B. Kosch	
70	COMBO 58 CHARGE INLET ASSY. WITH LED	10.JUN.2021	B. Kosch	
71	COMBO 59 CHARGE INLET ASSY. WITH LED	10.JUN.2021	B. Kosch	
72	COMBO 60 CHARGE INLET ASSY. WITH LED	10.JUN.2021	B. Kosch	
73	COMBO 61 CHARGE INLET ASSY. WITH LED	10.JUN.2021	B. Kosch	
74	COMBO 62 CHARGE INLET ASSY. WITH LED	10.JUN.2021	B. Kosch	
75	COMBO 63 CHARGE INLET ASSY. WITH LED	10.JUN.2021	B. Kosch	
76	COMBO 64 CHARGE INLET ASSY. WITH LED	10.JUN.2021	B. Kosch	
77	COMBO 65 CHARGE INLET ASSY. WITH LED	10.JUN.2021	B. Kosch	
78	COMBO 66 CHARGE INLET ASSY. WITH LED	10.JUN.2021	B. Kosch	
79	COMBO 67 CHARGE INLET ASSY. WITH LED	10.JUN.2021	B. Kosch	
80	COMBO 68 CHARGE INLET ASSY. WITH LED	10.JUN.2021	B. Kosch	
81	COMBO 69 CHARGE INLET ASSY. WITH LED	10.JUN.2021	B. Kosch	
82	COMBO 70 CHARGE INLET ASSY. WITH LED	10.JUN.2021	B. Kosch	
83	COMBO 71 CHARGE INLET ASSY. WITH LED	10.JUN.2021	B. Kosch	
84	COMBO 72 CHARGE INLET ASSY. WITH LED	10.JUN.2021	B. Kosch	
85	COMBO 73 CHARGE INLET ASSY. WITH LED	10.JUN.2021	B. Kosch	
86	COMBO 74 CHARGE INLET ASSY. WITH LED	10.JUN.2021	B. Kosch	
87	COMBO 75 CHARGE INLET ASSY. WITH LED	10.JUN.2021	B. Kosch	
88	COMBO 76 CHARGE INLET ASSY. WITH LED	10.JUN.2021	B. Kosch	
89	COMBO 77 CHARGE INLET ASSY. WITH LED	10.JUN.2021	B. Kosch	
90	COMBO 78 CHARGE INLET ASSY. WITH LED	10.JUN.2021	B. Kosch	
91	COMBO 79 CHARGE INLET ASSY. WITH LED	10.JUN.2021	B. Kosch	
92	COMBO 80 CHARGE INLET ASSY. WITH LED	10.JUN.2021	B. Kosch	
93	COMBO 81 CHARGE INLET ASSY. WITH LED	10.JUN.2021	B. Kosch	
94	COMBO 82 CHARGE INLET ASSY. WITH LED	10.JUN.2021	B. Kosch	
95	COMBO 83 CHARGE INLET ASSY. WITH LED	10.JUN.2021	B. Kosch	
96	COMBO 84 CHARGE INLET ASSY. WITH LED	10.JUN.2021	B. Kosch	
97	COMBO 85 CHARGE INLET ASSY. WITH LED	10.JUN.2021	B. Kosch	
98	COMBO 86 CHARGE INLET ASSY. WITH LED	10.JUN.2021	B. Kosch	
99	COMBO 87 CHARGE INLET ASSY. WITH LED	10.JUN.2021	B. Kosch	
100	COMBO 88 CHARGE INLET ASSY. WITH LED	10.JUN.2021	B. Kosch	
101	COMBO 89 CHARGE INLET ASSY. WITH LED	10.JUN.2021	B. Kosch	
102	COMBO 90 CHARGE INLET ASSY. WITH LED	10.JUN.2021	B. Kosch	
103	COMBO 91 CHARGE INLET ASSY. WITH LED	10.JUN.2021	B. Kosch	
104	COMBO 92 CHARGE INLET ASSY. WITH LED	10.JUN.2021	B. Kosch	
105	COMBO 93 CHARGE INLET ASSY. WITH LED	10.JUN.2021	B. Kosch	
106	COMBO 94 CHARGE INLET ASSY. WITH LED	10.JUN.2021	B. Kosch	
107	COMBO 95 CHARGE INLET ASSY. WITH LED	10.JUN.2021	B. Kosch	
108	COMBO 96 CHARGE INLET ASSY. WITH LED	10.JUN.2021	B. Kosch	
109	COMBO 97 CHARGE INLET ASSY. WITH LED	10.JUN.2021	B. Kosch	
110	COMBO 98 CHARGE INLET ASSY. WITH LED	10.JUN.2021	B. Kosch	
111	COMBO 99 CHARGE INLET ASSY. WITH LED	10.JUN.2021	B. Kosch	
112	COMBO 100 CHARGE INLET ASSY. WITH LED	10.JUN.2021	B. Kosch	

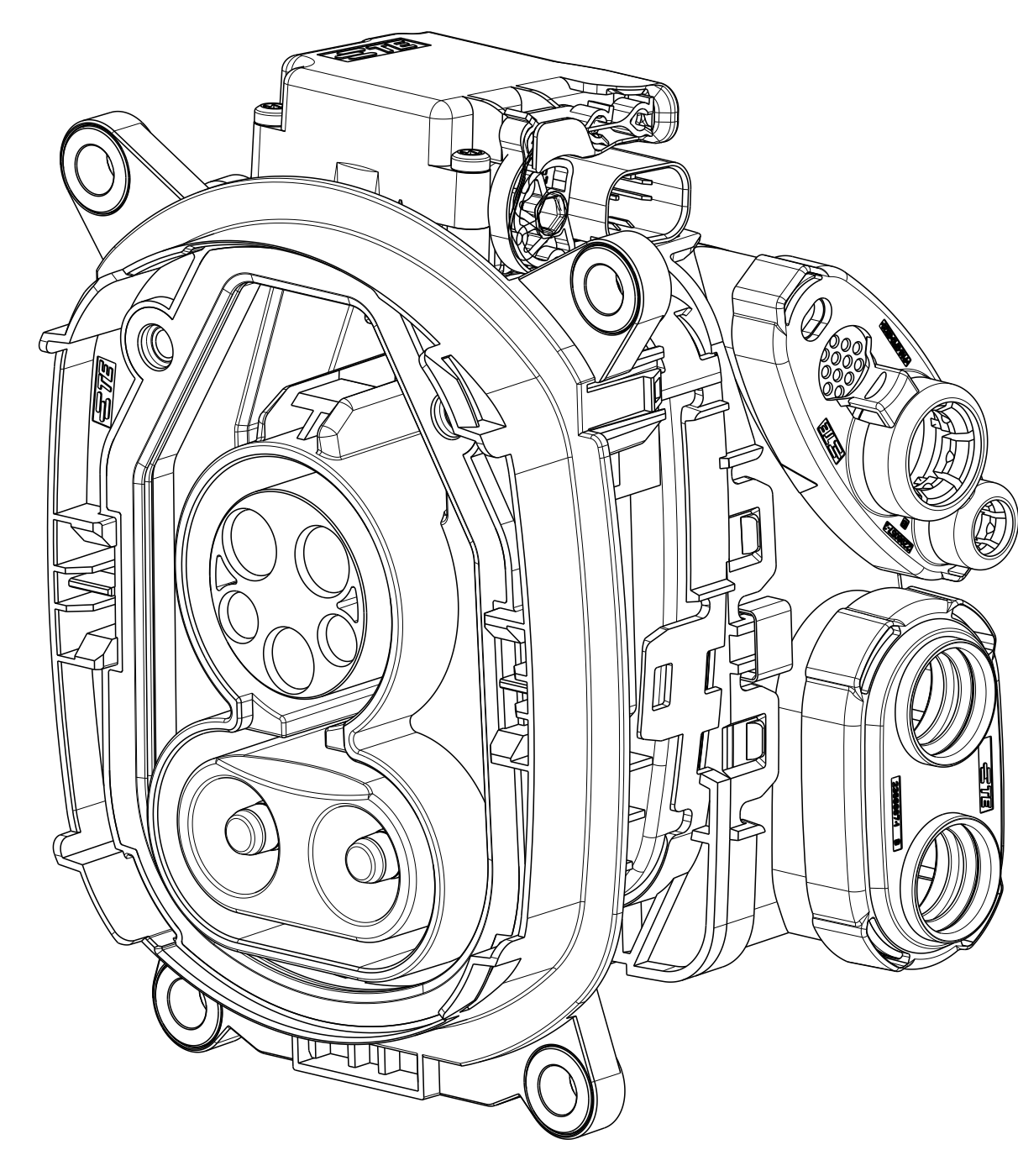
REVISIONS			
REV	DATE	DESCRIPTION	APP'D
1		SEE SHEET 1	

VARIANTS OVERVIEW

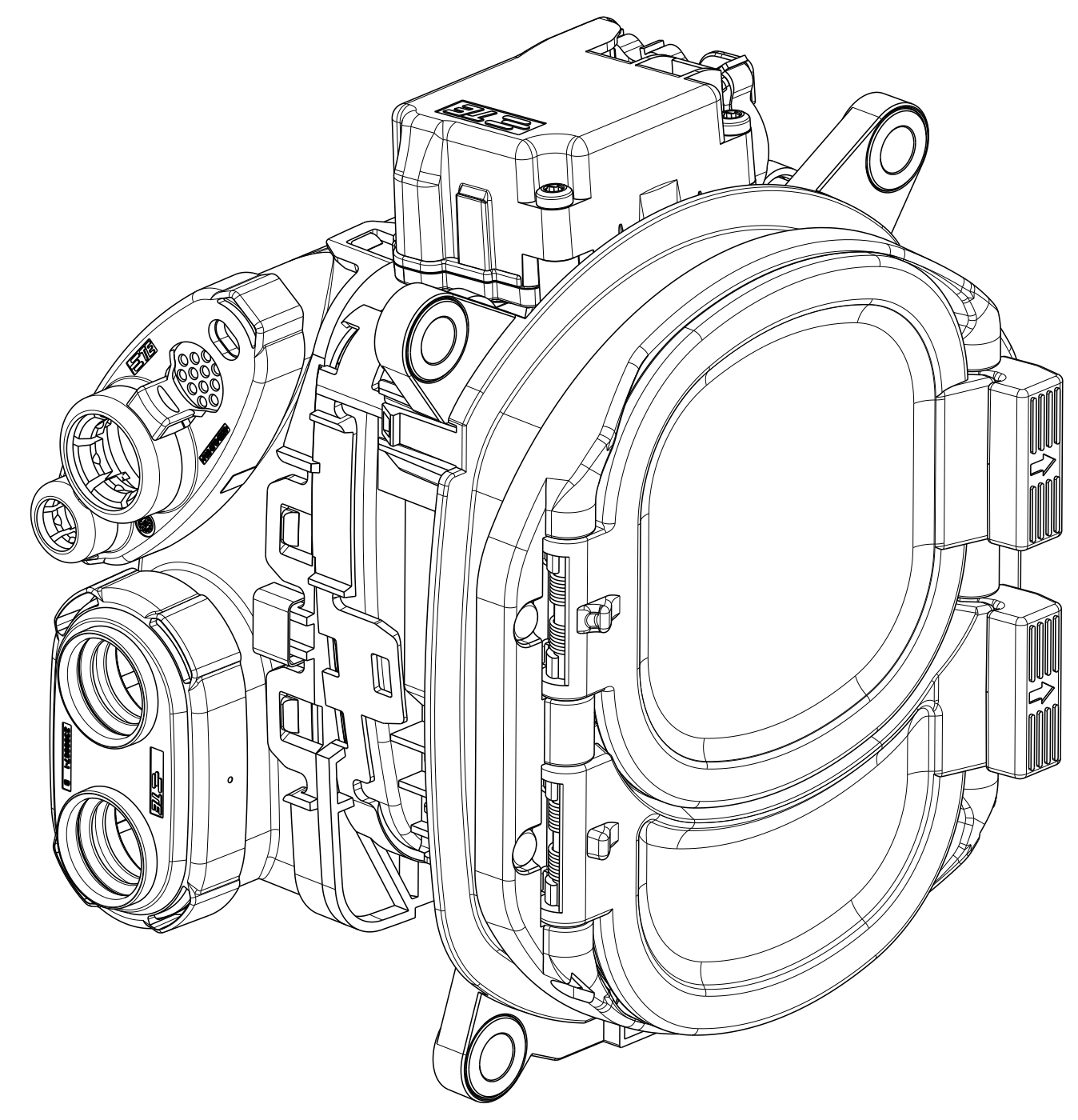
NO FLAP
CABLE EXIT LEFT
0-2388501-1



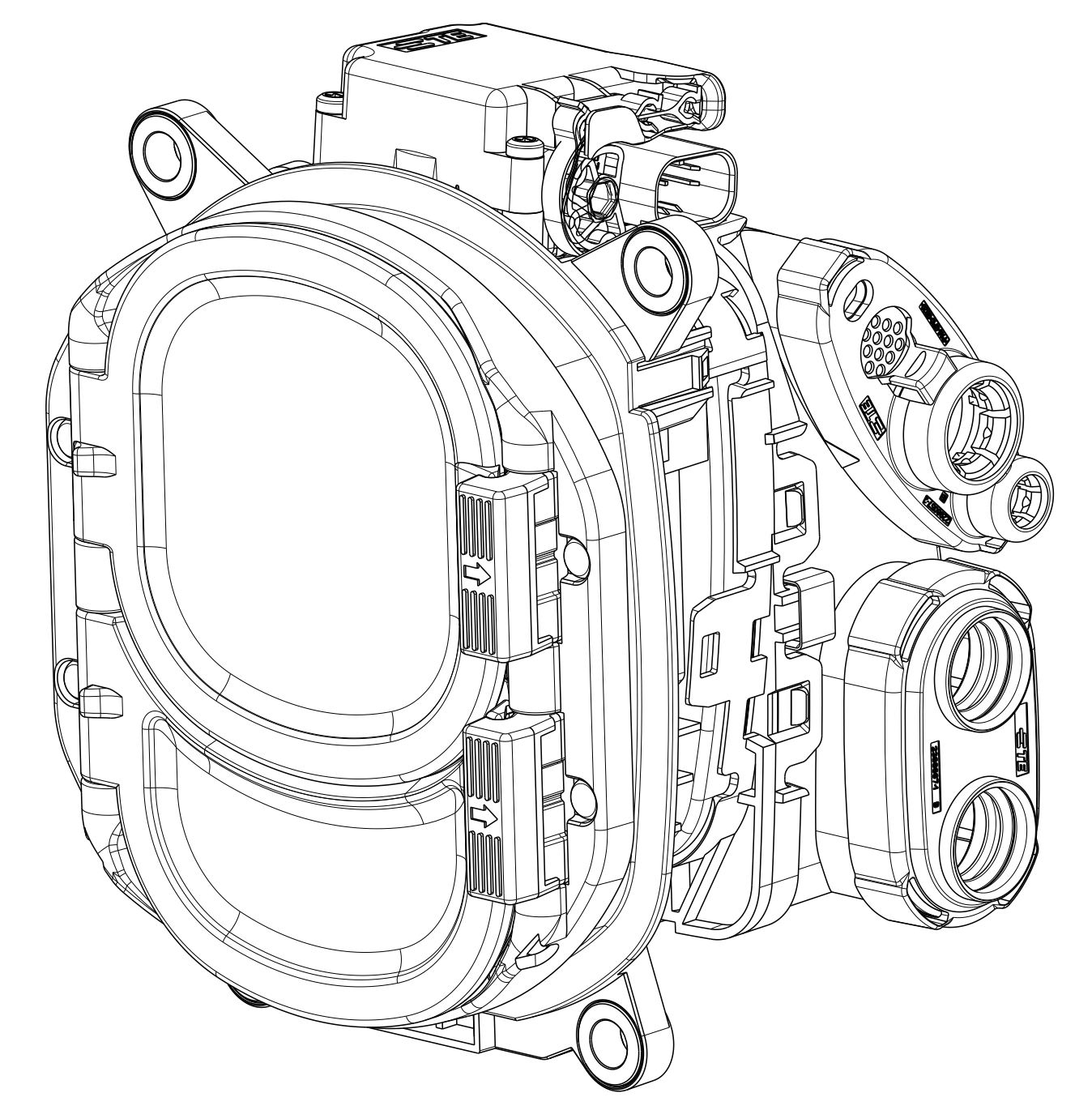
NO FLAP
CABLE EXIT RIGHT
0-2388501-2



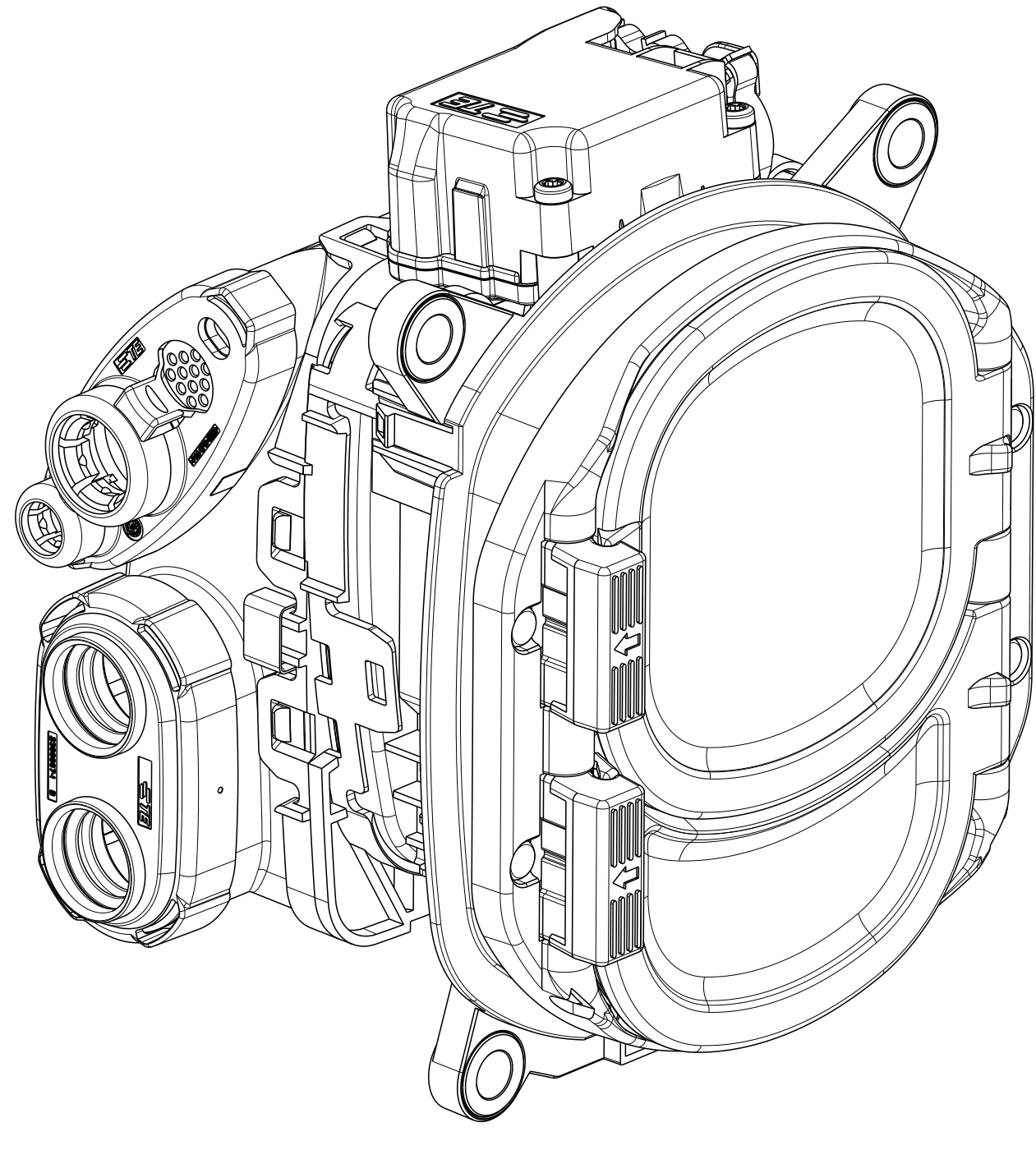
FLAP OPEN LEFT
CABLE EXIT LEFT
0-2388501-3



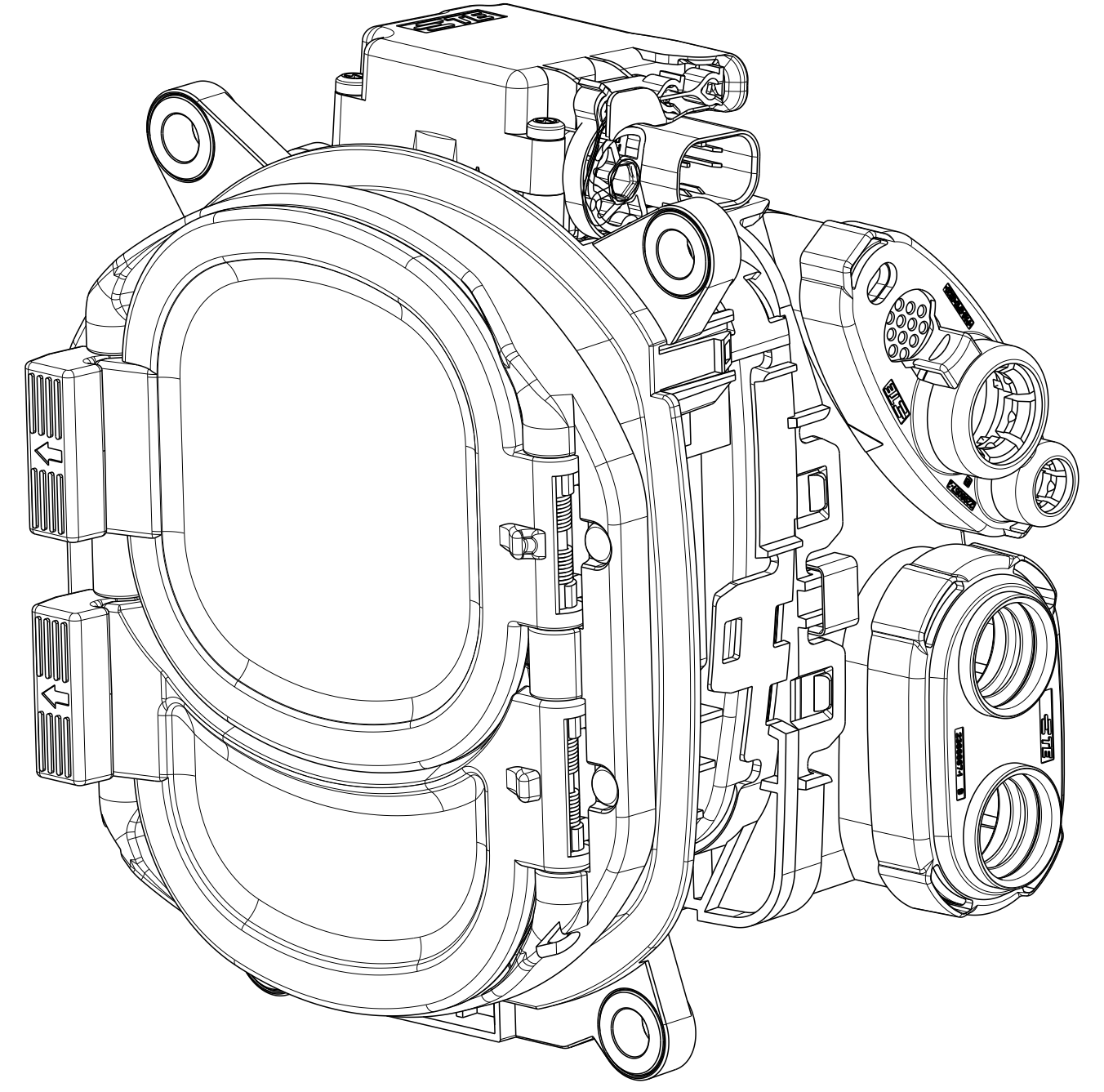
FLAP OPEN LEFT
CABLE EXIT RIGHT
0-2388501-4



FLAP OPEN RIGHT
CABLE EXIT LEFT
0-2388501-5



FLAP OPEN RIGHT
CABLE EXIT RIGHT
0-2388501-6



THIS DRAWING IS A CONTROLLED DOCUMENT. DIMENSIONING AND TOLERANCING PER GPS ISO STANDARDS.		DATE: 10 JUN 2021	BY: U. Siegel	TE Connectivity
DRAWN BY: 0-2388501-1		DATE: 10 JUN 2021	BY: S. Kosch	CHARGE INLET KIT, LED, COMB01
CHECKED BY: 0-2388501-2		DATE: 10 JUN 2021	BY: J. K. Astor	APPROVED BY: J. K. Astor
MATERIAL: FINISH: 0-2388501-1		SCALE: 1:1	SHEET: 2 of 2	REV: B
CUSTOMER DRAWING		SIZE: A0	CAGE CODE: 00779	DRAWING NO: C=2388501